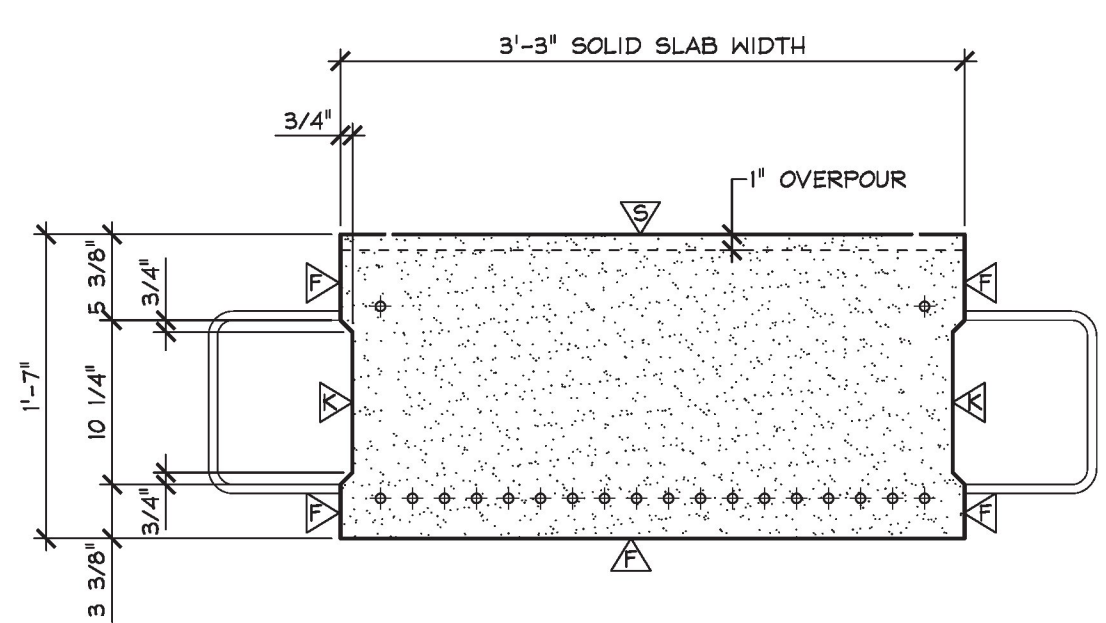


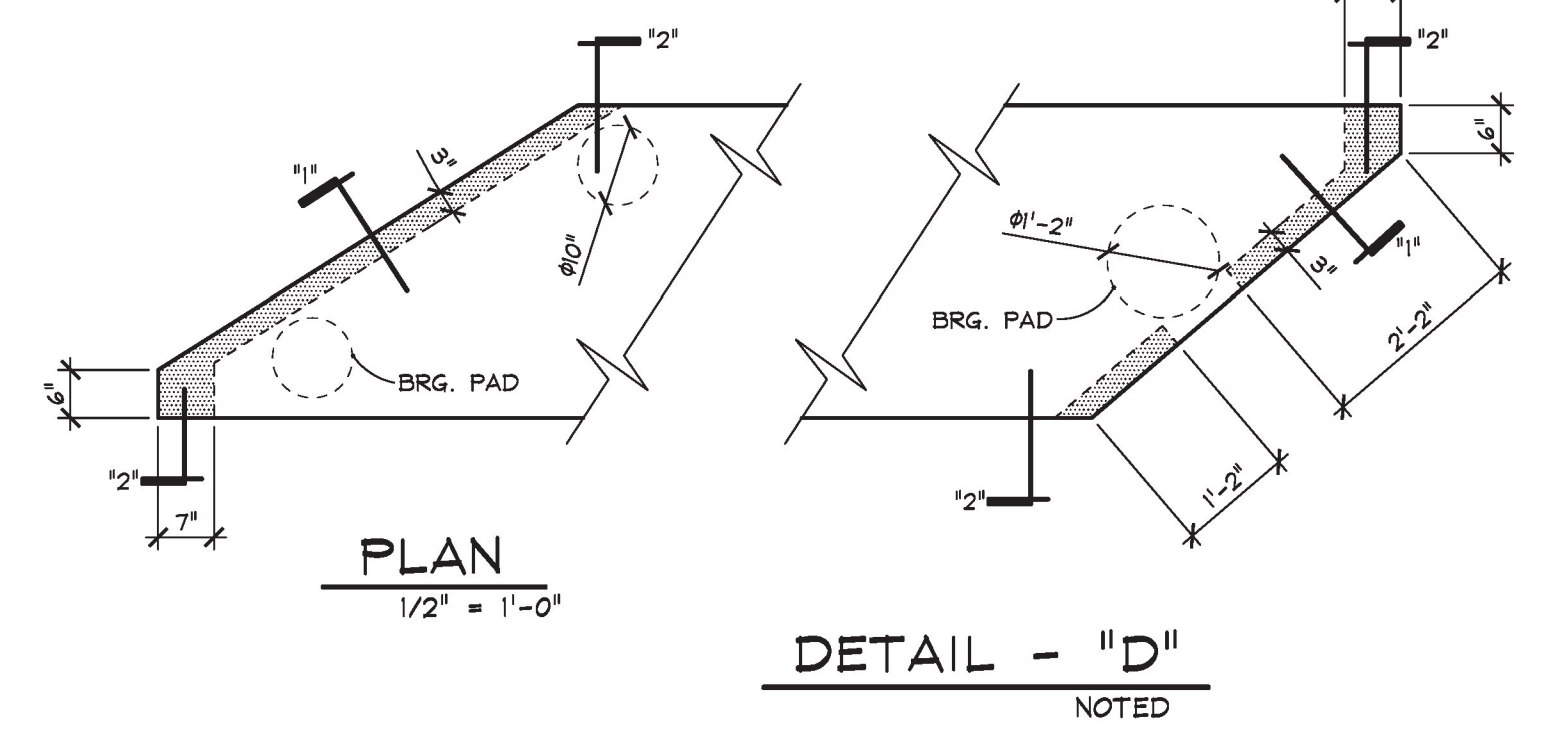
A
S12 **SOLID SLAB PLAN IN FORM**
1/2" = 1'-0"

SHOP NOTE. SEE SHEET S12.1 FOR REINFORCING LAYOUT

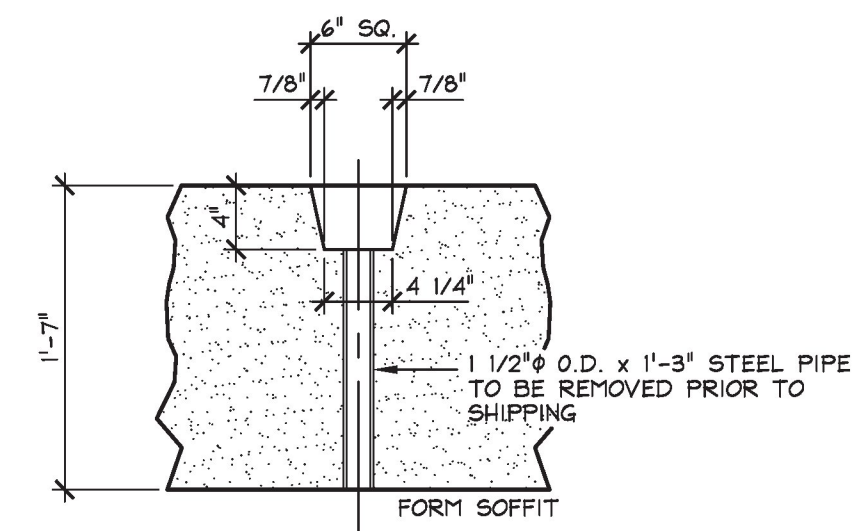
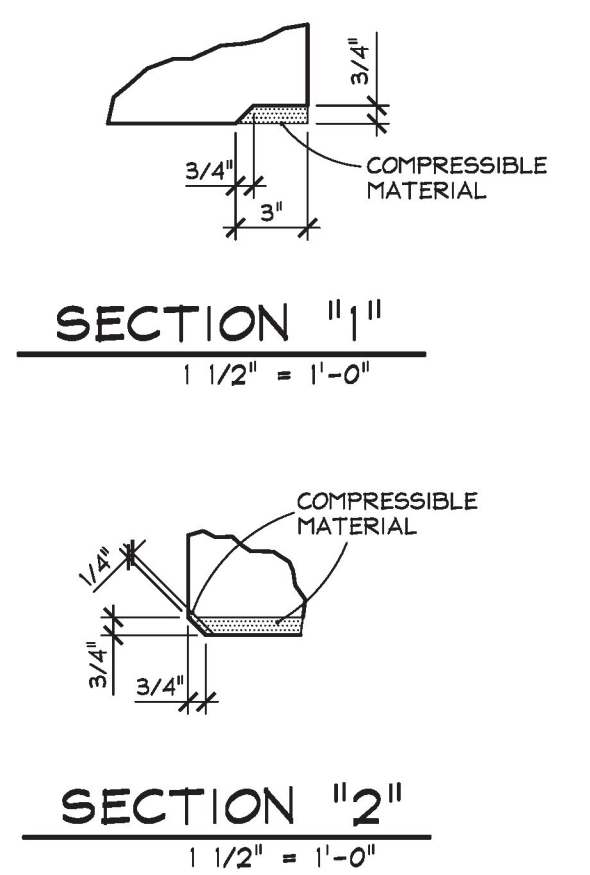


B
S12 **DIMENSIONAL SECTION**
1" = 1'-0"

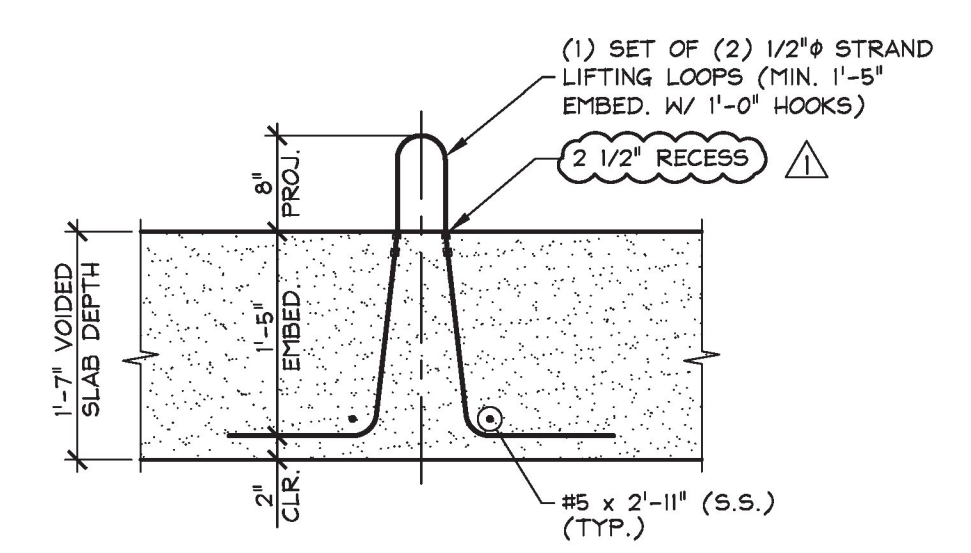
- △ - SMOOTH SCREED FINISH
- △ - FORM FINISH
- △ - ROUGHENED FINISH (1/8" AMPLITUDE)



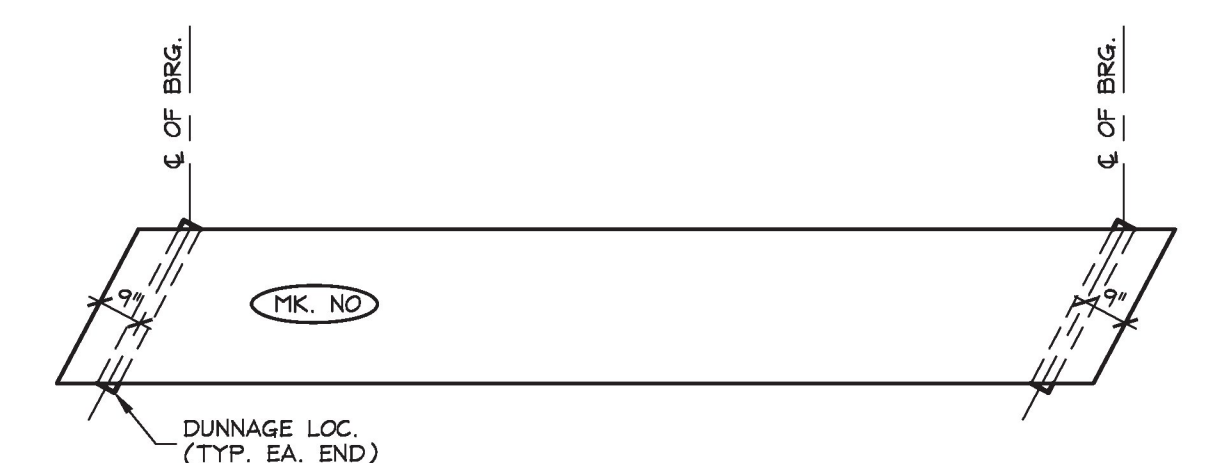
DETAIL - "D"
NOTED



DETAIL - "C"
1" = 1'-0"



LIFT LOOP DETAIL
3/4" = 1'-0"



DUNNAGE LOCATION DETAIL
N.T.S.

Production/Record Set
2.13.18
J.P. CARRARA & SONS, INC.
MIDDLEBURY, VT 05753

2/12/18 REVISED AS PER ENGINEERS COMM. T.D.

Vermont Agency of Transportation
RECEIVED
CK'D BY Stephen Coley OK'D BY Rob Young
February 13, 2017
RESUBMIT No Approved
BY Rob Young DATE 02/13/2017

SHOP NOTE:
F_{ck} = 8,000 PSI
F_{ci} = 5,500 PSI
MIX #430M1 ROCK

MARK: WD-S12 QTY.: 1 WT.: 16.77 T VOL.: 8.28 cy			
MATERIAL LIST / P/S SOLID SLAB			
ITEM	MARK	DESCRIPTION	WD-S12 QTY.
1			
2			
3			
4			
5			
6			
7			
8			
9			
10			
11			
12			
13			
14		#5 x 2'-11" (STAINLESS STEEL)	4
15			
16			
17			
18			
19			
20			
21			
22			
23			
24			
25			
26			
27			
28			
29		1 1/2" O.D. x 1'-3" STEEL PIPE	2
30		(2) 1/2" 270 KSI STRAND LIFT LOOPS	4
31			
32			

APPROVAL STAMP:	J.P. CARRARA & SONS INC. Precast & Prestress Manufacturer 2464 CASE ST., MIDDLEBURY, VERMONT 05753 Phone: (802)388-6361 Fax: (802)388-9010		Cold River Bridges CONTRACTOR WALPOLE, NEW HAMPSHIRE	
	STATE OF VERMONT AGENCY OF TRANSPORTATION COUNTY OF WINDSOR		DATE: JAN. 18, 2018 SCALE: NOTED	
	WOODSTOCK VILLAGE VT. ROUTE 4 (CLASS 1), VILLAGE PRINCIPAL ARTERIAL BRIDGE NO.: 51 PROJECT NO.: BF 020-2 (43)		CHKD: A.S. DFTM: T.D. JOB NO: 23522-017	
	SOLID SLAB DETAILS		DWG. NO: S12	