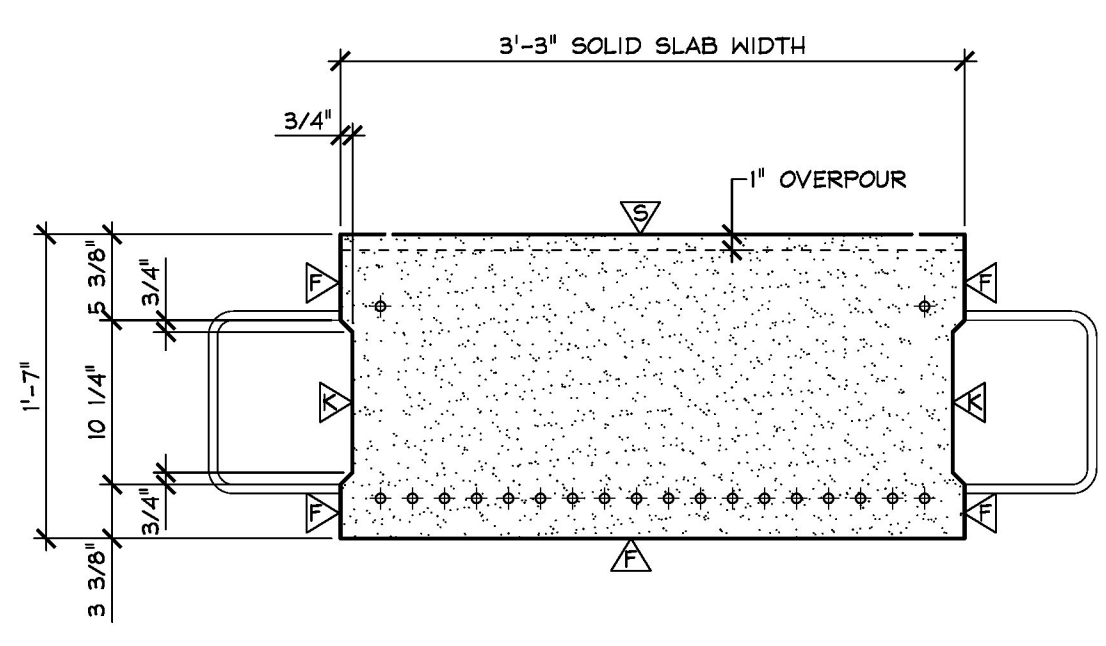


A
S11 SOLID SLAB PLAN IN FORM
1/2" = 1'-0"

SHOP NOTE. SEE SHEET S11.1 FOR REINFORCING LAYOUT

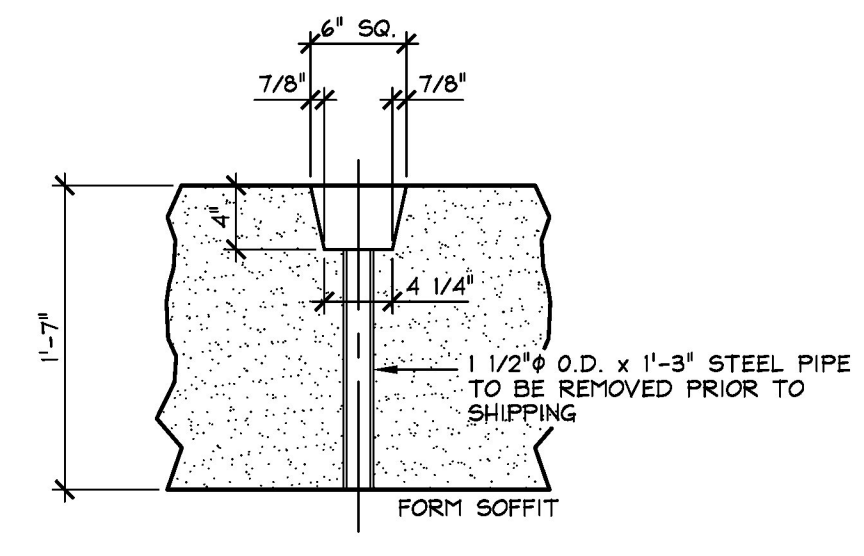
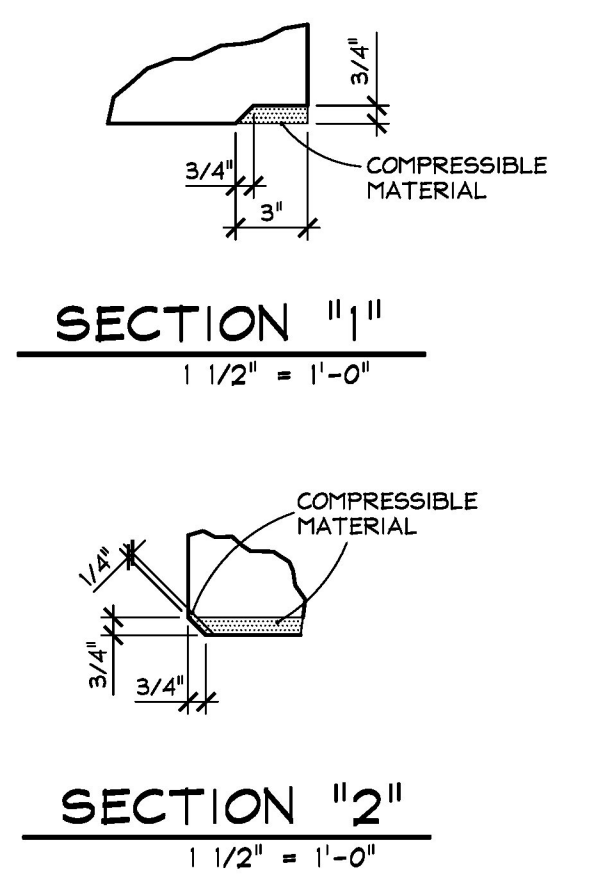
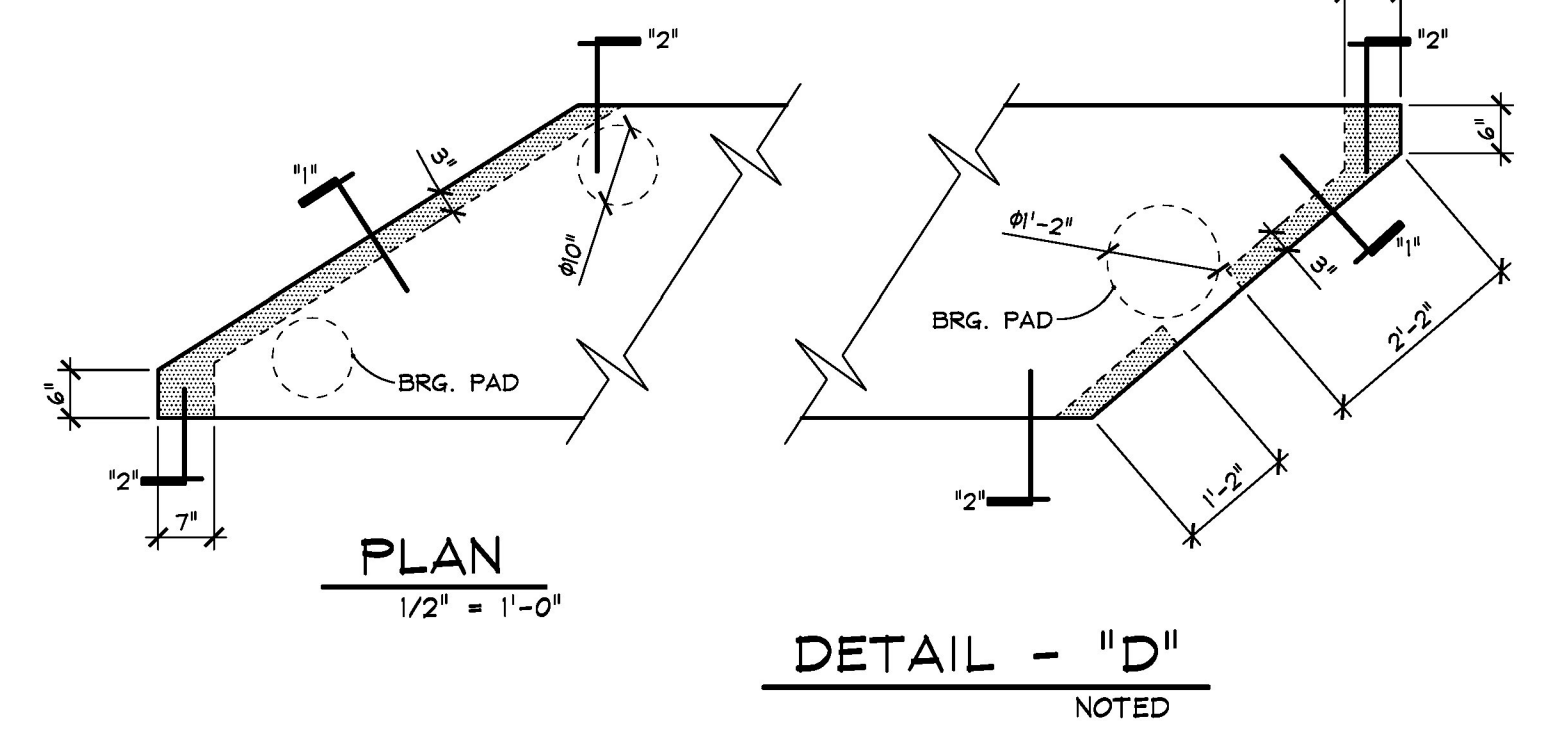
Vermont Agency of Transportation
RECEIVED
CK'D BY Stephen Coley OK'D BY Rob Young
February 13, 2017
RESUBMIT No Approved
BY Rob Young DATE 02/13/2017

SHOP NOTE:
F_c = 8,000 PSI
F_{ci} = 5,500 PSI
MIX #430M1 ROCK

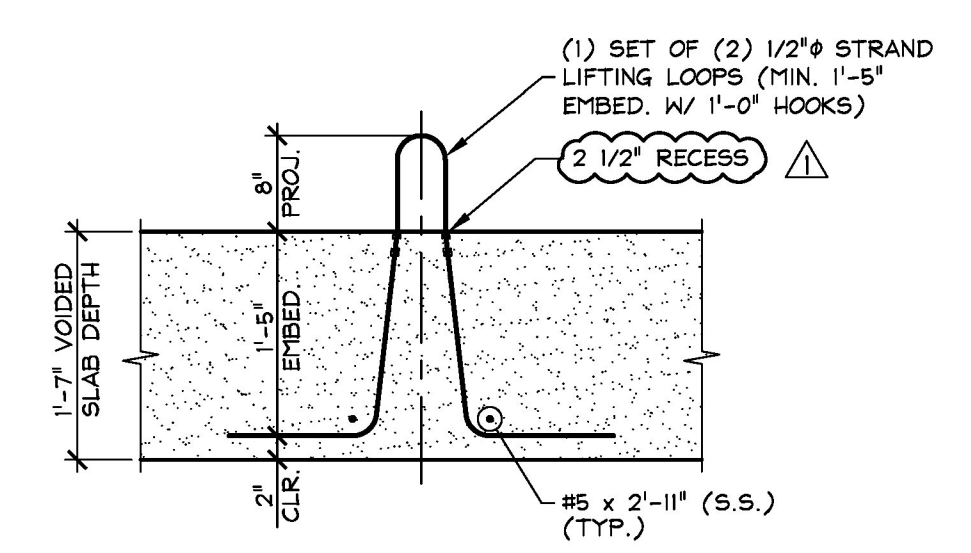


B
S11 DIMENSIONAL SECTION
1" = 1'-0"

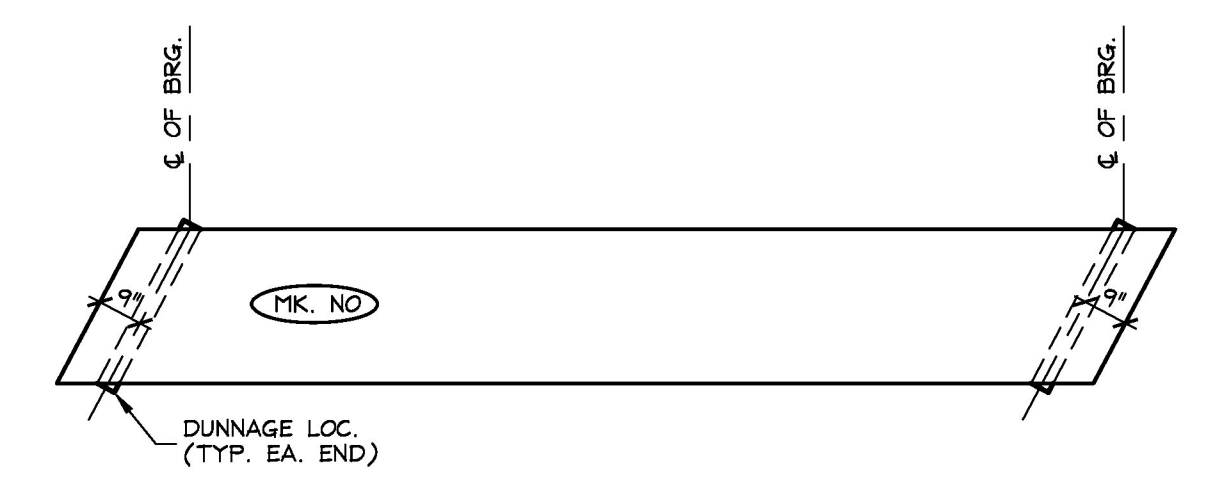
- △ - SMOOTH SCREED FINISH
- △ - FORM FINISH
- △ - ROUGHENED FINISH (1/8" AMPLITUDE)



DETAIL - 'C''
1" = 1'-0"



LIFT LOOP DETAIL
3/4" = 1'-0"



DUNNAGE LOCATION DETAIL
N.T.S.

MARK: WD-S11 QTY.: 1 WT.: 15.60 T VOL.: 7.70 cy			
MATERIAL LIST / P/S SOLID SLAB			
ITEM	MARK	DESCRIPTION	WD-S11 QTY.
1			
2			
3			
4			
5			
6			
7			
8			
9			
10			
11			
12			
13			
14		#5 x 2'-11" (STAINLESS STEEL)	4
15			
16			
17			
18			
19			
20			
21			
22			
23			
24			
25			
26			
27			
28			
29		1 1/2" O.D. x 1'-3" STEEL PIPE	2
30		(2) 1/2" # 270 KSI STRAND LIFT LOOPS	4
31			
32			

APPROVAL STAMP:	J.P. CARRARA & SONS INC. Precast & Prestress Manufacturer 2464 CASE ST., MIDDLEBURY, VERMONT 05753 Phone: (802)388-6361 Fax: (802)388-9010		Cold River Bridges CONTRACTOR WALPOLE, NEW HAMPSHIRE	
	STATE OF VERMONT AGENCY OF TRANSPORTATION COUNTY OF WINDSOR		DATE: JAN. 18, 2018 SCALE: NOTED	
	WOODSTOCK VILLAGE VT. ROUTE 4 (CLASS 1), VILLAGE PRINCIPAL ARTERIAL BRIDGE NO.: 51 PROJECT NO.: BF 020-2 (43)		CHKD: A.S. DFTM: T.D. JOB NO: 23522-017	
	SOLID SLAB DETAILS		DWG. NO: S11	

Production/Record Set
2.13.18
J.P. CARRARA & SONS, INC.
MIDDLEBURY, VT 05753