

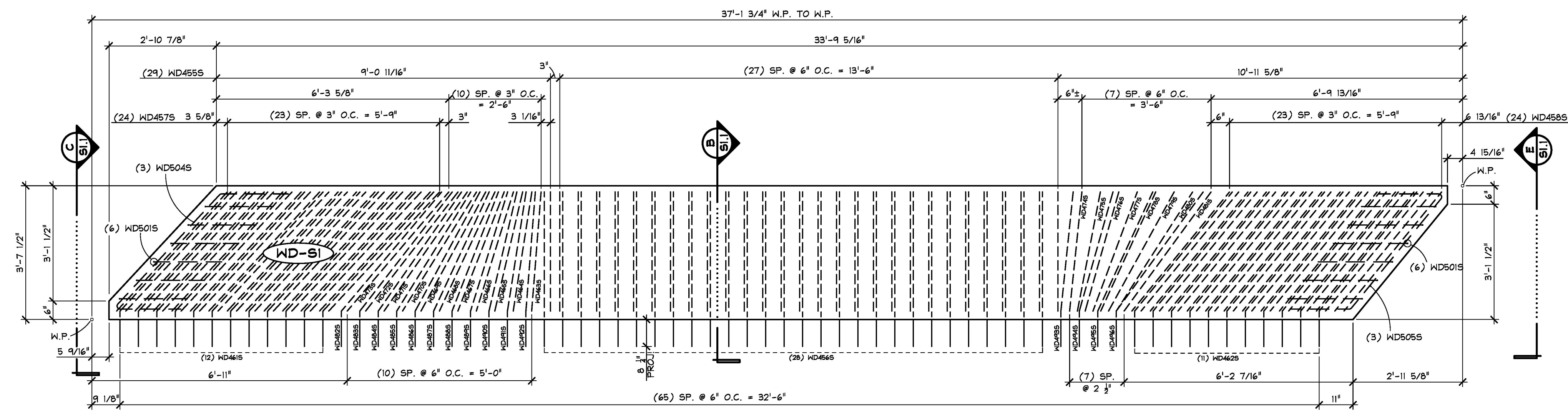
Vermont Agency of Transportation  
**RECEIVED**

CK'D BY Stephen Coley OK'D BY Rob Young

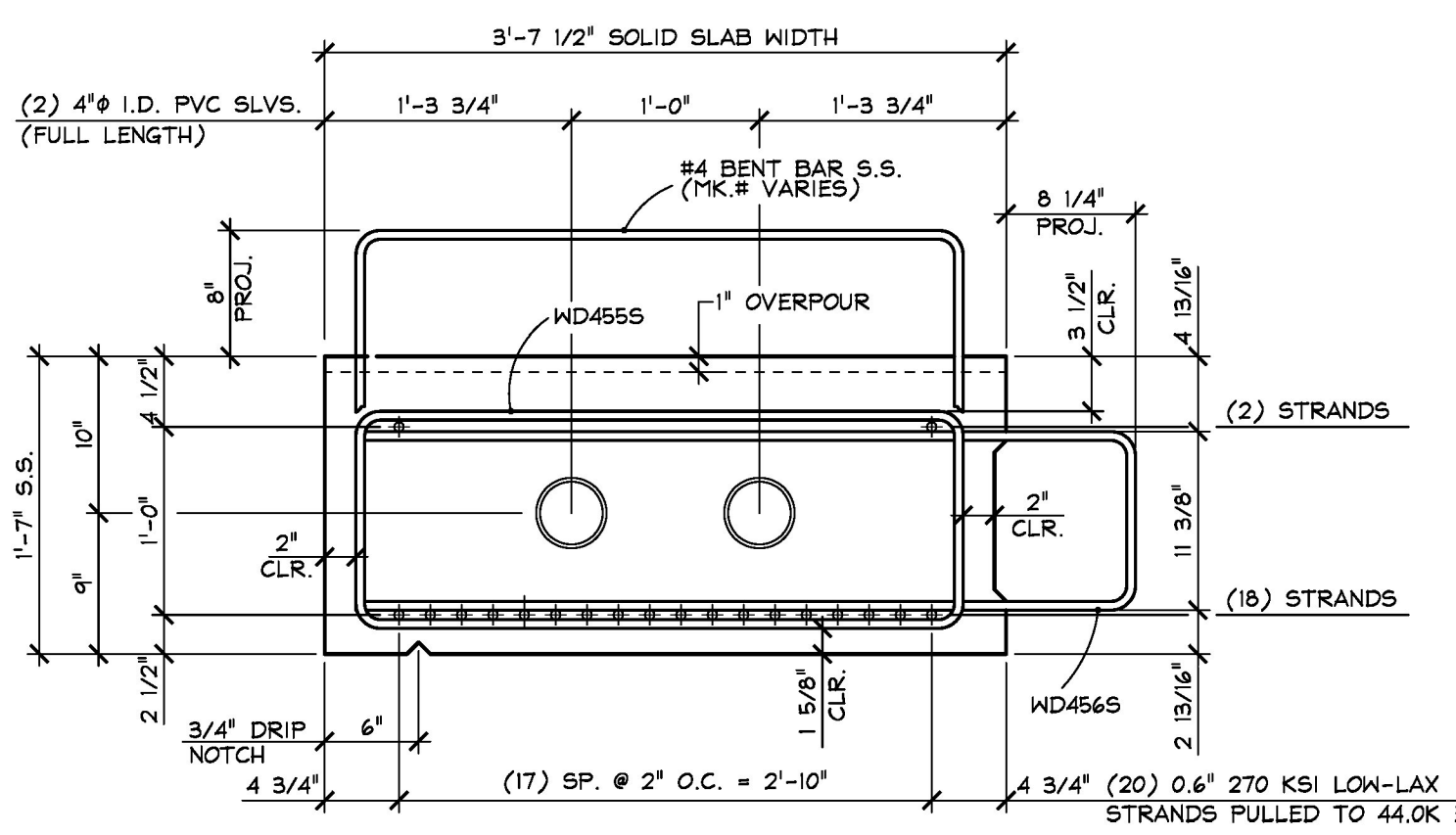
February 13, 2017

RESUBMIT No Approved  
BY Rob Young DATE 02/13/2017

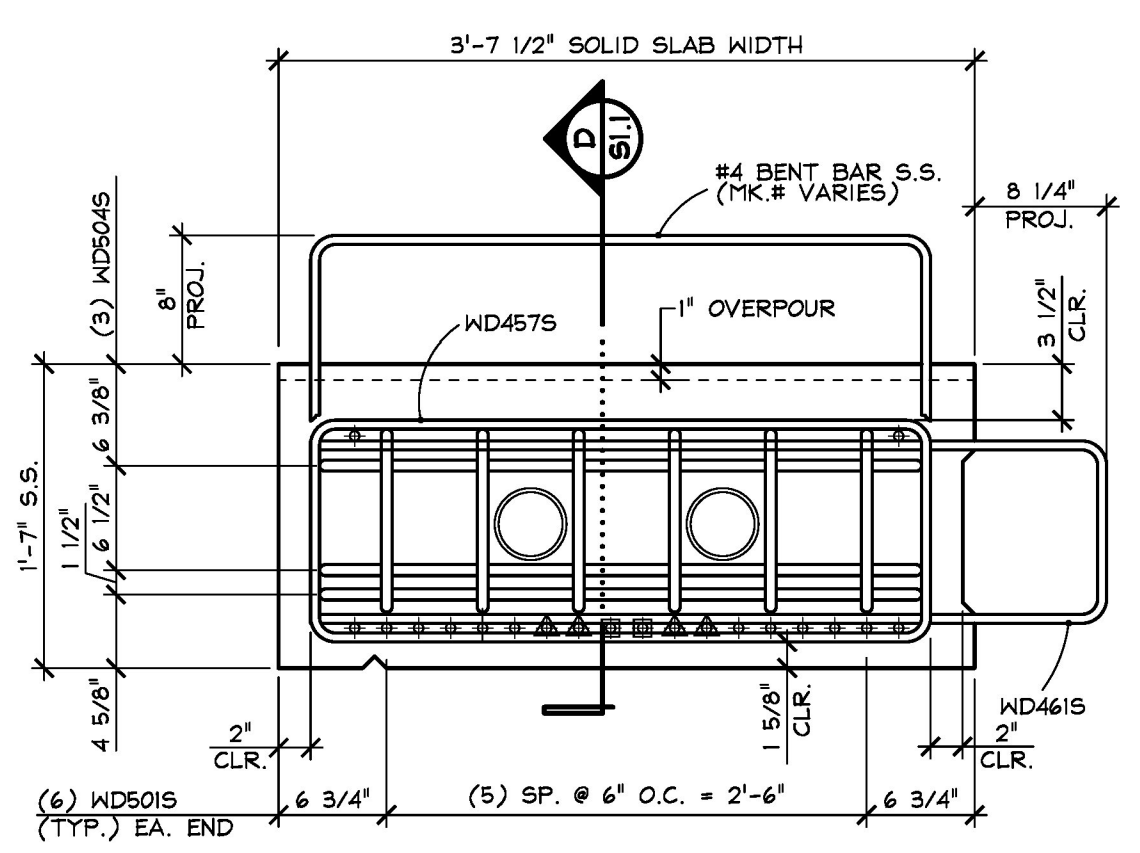
SHOP NOTE:  
F<sub>c</sub> = 8,000 PSI  
F<sub>ci</sub> = 5,500 PSI  
MIX #430M1 ROCK



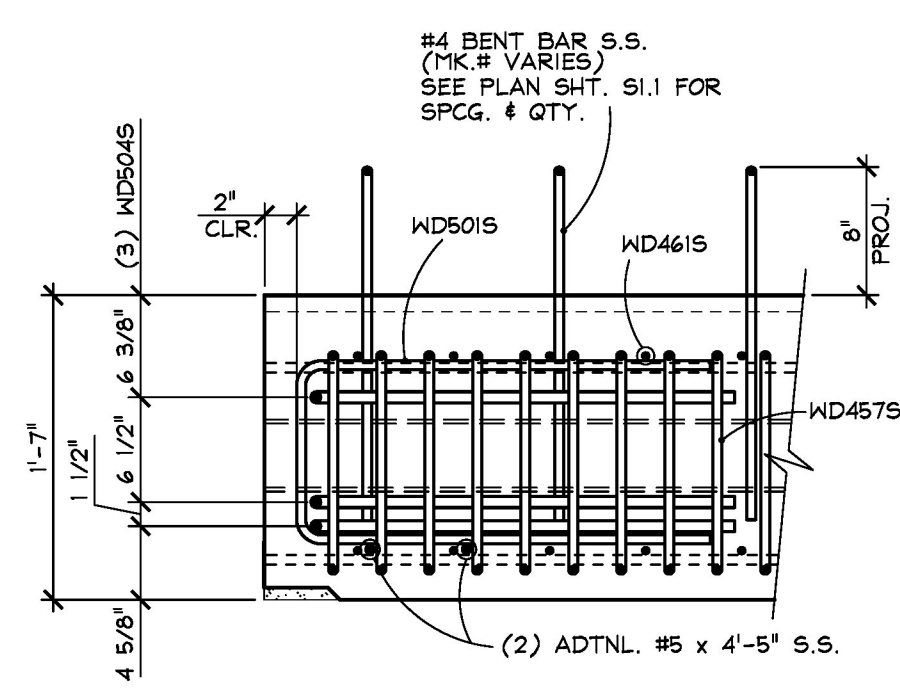
**A1** SOLID SLAB REINFORCING PLAN IN FORM  
1/2" = 1'-0"



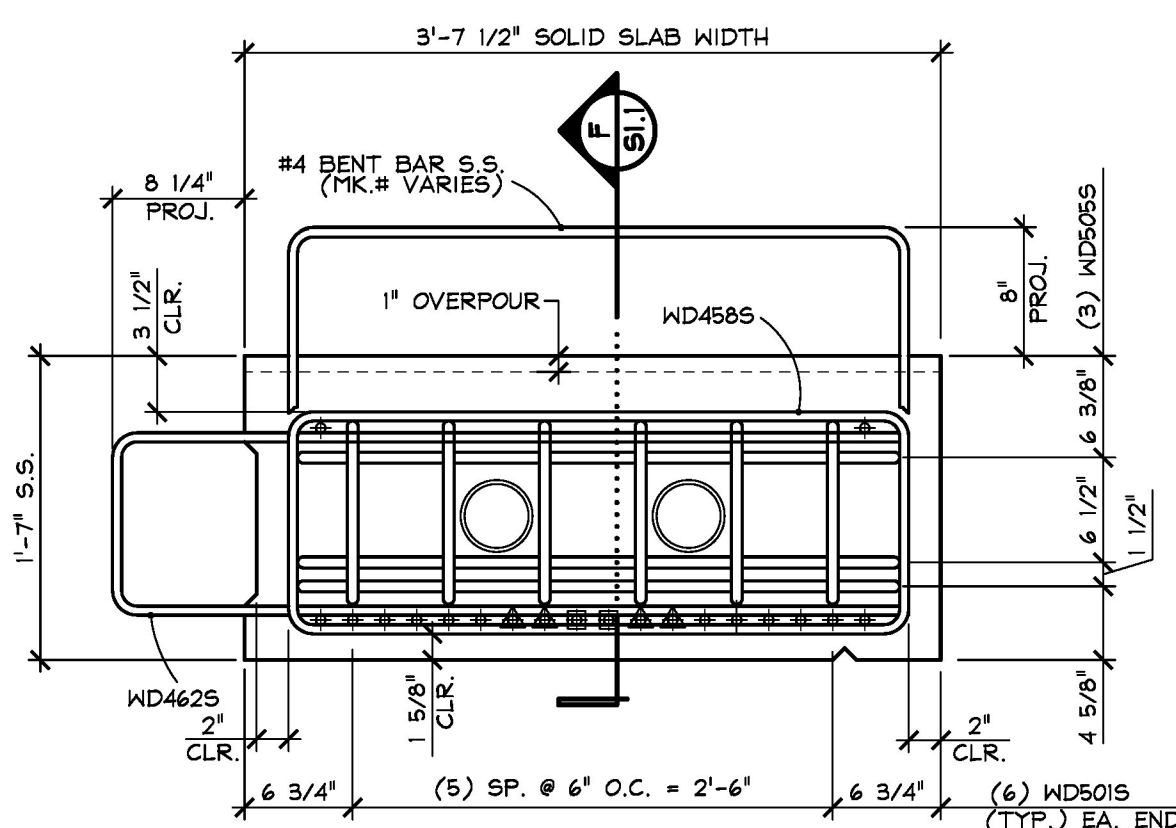
**B1** REINFORCING SECTION  
1" = 1'-0"



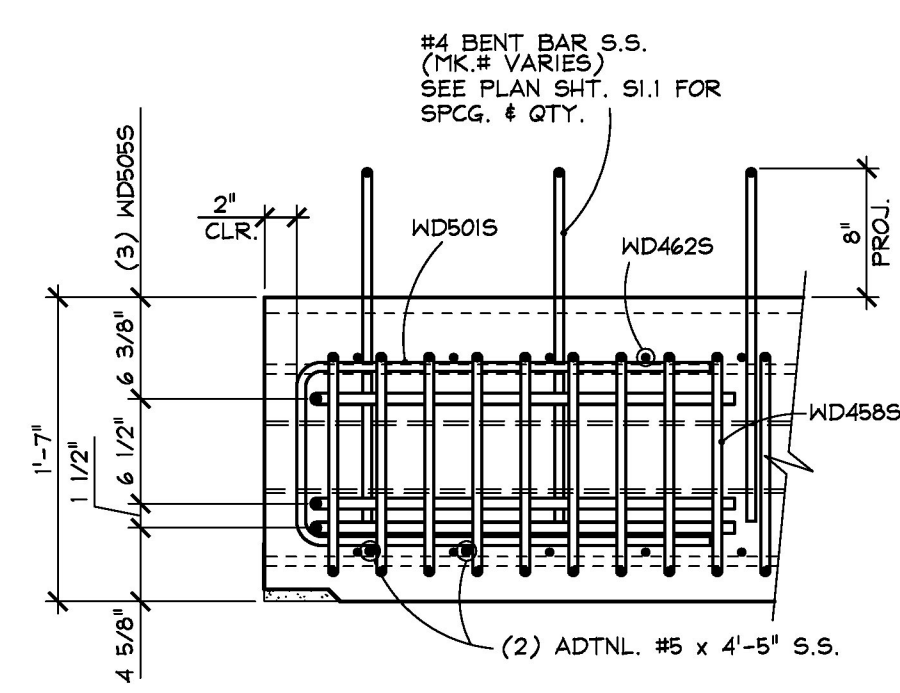
**C1** REINFORCING SECTION  
1" = 1'-0"



**D1** END REINFORCING SECTION  
1" = 1'-0"



**E1** END REINFORCING SECTION  
1" = 1'-0"



**F1** END REINFORCING SECTION  
1" = 1'-0"

① ②

Strand No.	Strand No.	Strand No.	Strand No.	Strand No.	Strand No.	Strand No.	Strand No.	Strand No.	Strand No.
3	5	7	9	11	13	15	17	19	20
16	18	14	12	10	8	6	4		

**DETENSIONING SCHEDULE**  
N.T.S.

▲ STRANDS TO BE DETENSIONED 4'-0" EA. END OF SOLID SLAB  
■ STRANDS TO BE DETENSIONED 6'-0" EA. END OF SOLID SLAB

ITEM	MARK	DESCRIPTION	WD-SI
			QTY.
33	WD4855	#4 BENT BAR (STAINLESS STEEL)	1
34	WD4865	#4 BENT BAR (STAINLESS STEEL)	1
35	WD4875	#4 BENT BAR (STAINLESS STEEL)	1
36	WD4885	#4 BENT BAR (STAINLESS STEEL)	1
37	WD4895	#4 BENT BAR (STAINLESS STEEL)	1
38	WD4905	#4 BENT BAR (STAINLESS STEEL)	1
39	WD4915	#4 BENT BAR (STAINLESS STEEL)	1
40	WD4925	#4 BENT BAR (STAINLESS STEEL)	1
41	WD4935	#4 BENT BAR (STAINLESS STEEL)	1
42	WD4945	#4 BENT BAR (STAINLESS STEEL)	1
43	WD4955	#4 BENT BAR (STAINLESS STEEL)	1
44	WD4965	#4 BENT BAR (STAINLESS STEEL)	1
45			
46			
47	WD5015	#5 BENT BAR (STAINLESS STEEL)	12
48	WD5045	#5 BENT BAR (STAINLESS STEEL)	3
49	WD5055	#5 BENT BAR (STAINLESS STEEL)	3
50			
51		#5 x 4'-5" (STAINLESS STEEL)	4
52			
53			
54			
55			
56			
57			
58			
59			
60			
61			
62			
63			
64			

MARK: WD-SI QTY.: 1 WT.: 14.05 T VOL.: 6.94 cy			
MATERIAL LIST / P/S SOLID SLAB			
ITEM	MARK	DESCRIPTION	WD-SI QTY.
1	WD4555	#4 STIRRUP (STAINLESS STEEL)	29
2	WD4565	#4 BENT BAR (STAINLESS STEEL)	28
3			
4			
5			
6			
7	WD4575	#4 STIRRUP (STAINLESS STEEL)	24
8	WD4585	#4 STIRRUP (STAINLESS STEEL)	24
9	WD4615	#4 BENT BAR (STAINLESS STEEL)	12
10	WD4625	#4 BENT BAR (STAINLESS STEEL)	11
11	WD4635	#4 STIRRUP (STAINLESS STEEL)	1
12	WD4645	#4 STIRRUP (STAINLESS STEEL)	1
13	WD4655	#4 STIRRUP (STAINLESS STEEL)	1
14	WD4665	#4 STIRRUP (STAINLESS STEEL)	1
15	WD4675	#4 STIRRUP (STAINLESS STEEL)	1
16	WD4685	#4 STIRRUP (STAINLESS STEEL)	1
17	WD4695	#4 STIRRUP (STAINLESS STEEL)	1
18	WD4705	#4 STIRRUP (STAINLESS STEEL)	1
19	WD4715	#4 STIRRUP (STAINLESS STEEL)	1
20	WD4725	#4 STIRRUP (STAINLESS STEEL)	1
21	WD4735	#4 STIRRUP (STAINLESS STEEL)	1
22	WD4745	#4 STIRRUP (STAINLESS STEEL)	1
23	WD4755	#4 STIRRUP (STAINLESS STEEL)	1
24	WD4765	#4 STIRRUP (STAINLESS STEEL)	1
25	WD4775	#4 STIRRUP (STAINLESS STEEL)	1
26	WD4785	#4 STIRRUP (STAINLESS STEEL)	1
27	WD4795	#4 STIRRUP (STAINLESS STEEL)	1
28	WD4805	#4 BENT BAR (STAINLESS STEEL)	1
29	WD4815	#4 BENT BAR (STAINLESS STEEL)	1
30	WD4825	#4 BENT BAR (STAINLESS STEEL)	1
31	WD4835	#4 BENT BAR (STAINLESS STEEL)	1
32	WD4845	#4 BENT BAR (STAINLESS STEEL)	1

APPROVAL STAMP:

**J.P. CARRARA & SONS INC.**  
Precast & Prestress Manufacturer  
2464 CASE ST., MIDDLEBURY, VERMONT 05753 Phone:(802)388-6361 Fax:(802)388-9010

Cold River Bridges  
CONTRACTOR  
WALPOLE, NEW HAMPSHIRE

STATE OF VERMONT AGENCY OF TRANSPORTATION  
COUNTY OF WINDSOR

DATE: JAN. 18, 2018  
SCALE: NOTED  
CHKD: A.S. DFTM: T.D.  
JOB NO: 23522-017

WOODSTOCK VILLAGE  
VT. ROUTE 4 (CLASS 1), VILLAGE PRINCIPAL ARTERIAL  
BRIDGE NO.: 51 PROJECT NO.: BF 020-2 (43)

**SOLID SLAB REINF. DETAILS**  
DWG. NO: S1.1

Production/Record Set  
2.13.18  
J.P. CARRARA & SONS, INC.  
MIDDLEBURY, VT 05753