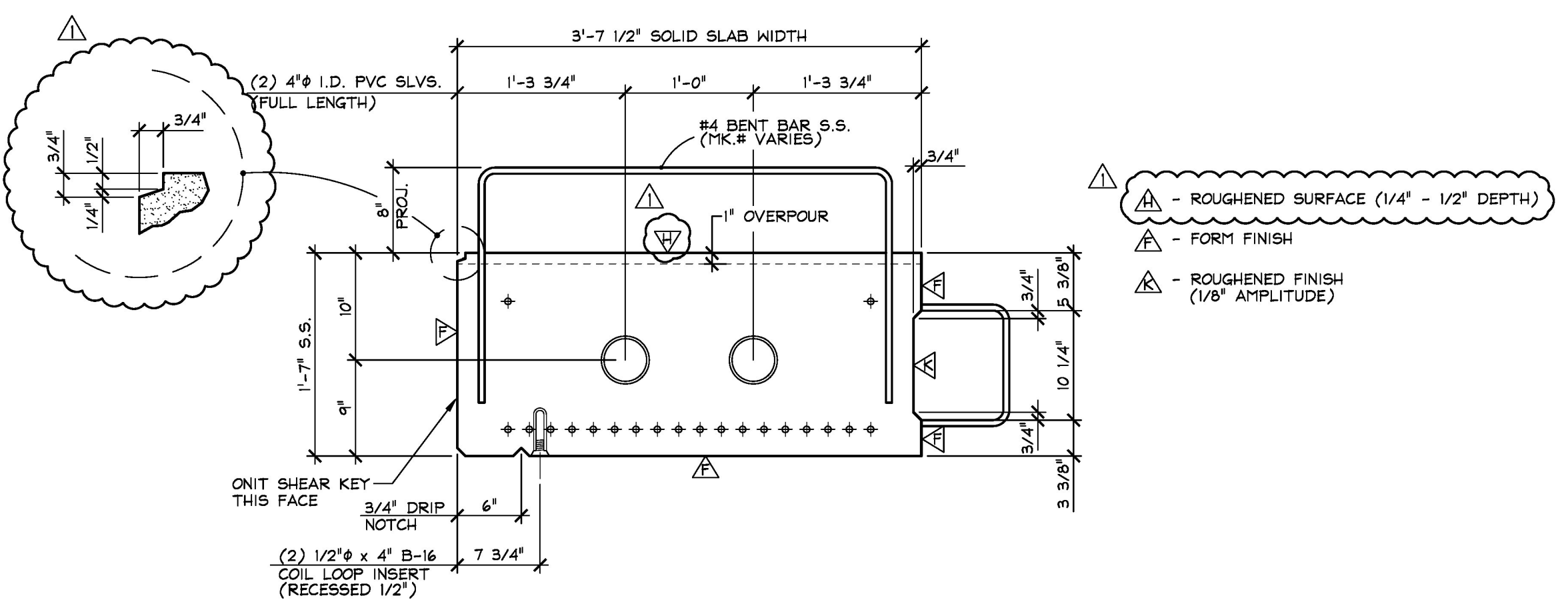


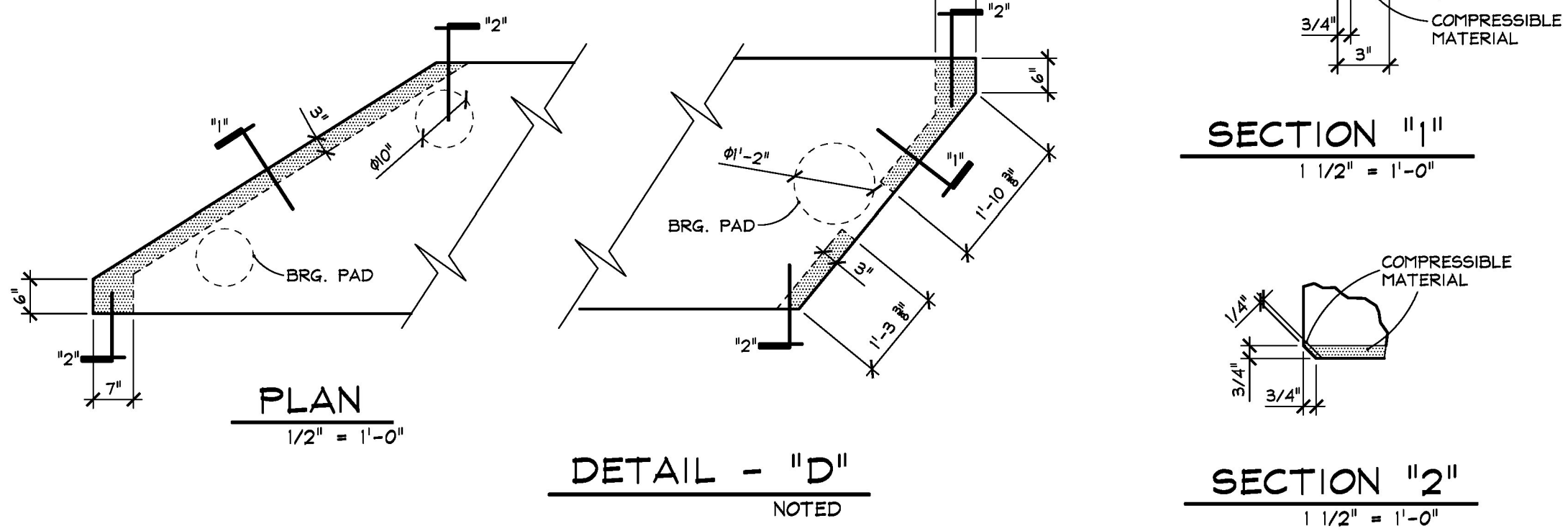
A SOLID SLAB PLAN IN FORM
1/2" = 1'-0"

SHOP NOTE. SEE SHEET S1.1 FOR REINFORCING LAYOUT

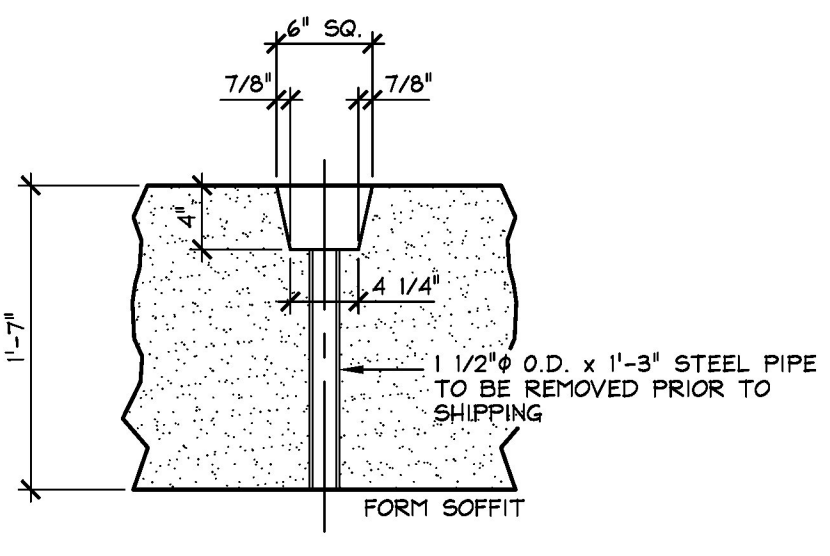
SHOP NOTE:
F_c = 8,000 PSI
F_{ci} = 5,500 PSI
MIX #430M1 ROCK



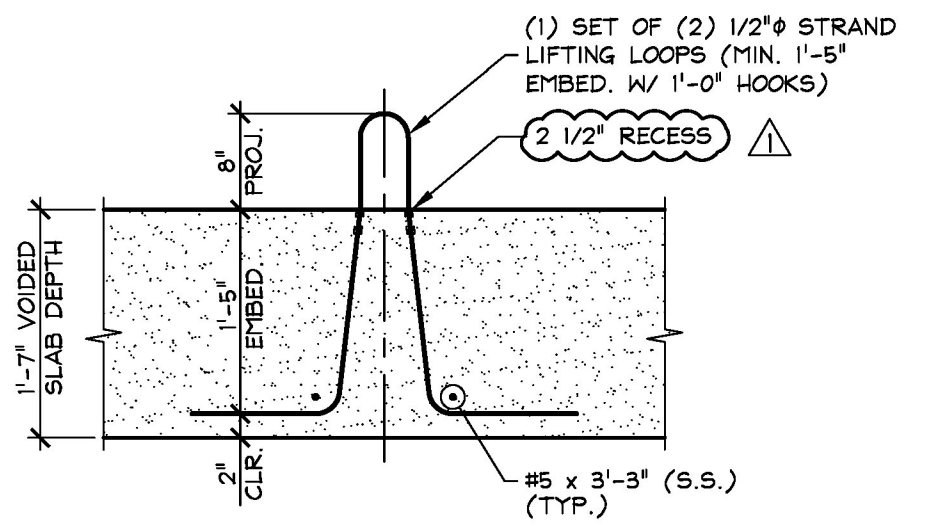
B DIMENSIONAL SECTION
1" = 1'-0"



DETAIL - "D"
NOTED



DETAIL - "C"
1" = 1'-0"



LIFT LOOP DETAIL
3/4" = 1'-0"



DUNNAGE LOCATION DETAIL
N.T.S.

Vermont Agency of Transportation
RECEIVED
CK'D BY Stephen Coley OK'D BY Rob Young
February 13, 2017
RESUBMIT No Approved
BY Rob Young DATE 02/13/2017

MATERIAL LIST / P/S SOLID SLAB			
ITEM	MARK	DESCRIPTION	WD-S1 QTY.
1	WD4001S	#4 BENT BAR (STAINLESS STEEL)	26
2	WD4002S	#4 BENT BAR (STAINLESS STEEL)	1
3	WD4003S	#4 BENT BAR (STAINLESS STEEL)	1
4	WD4004S	#4 BENT BAR (STAINLESS STEEL)	1
5	WD4005S	#4 BENT BAR (STAINLESS STEEL)	1
6	WD4006S	#4 BENT BAR (STAINLESS STEEL)	1
7	WD4007S	#4 BENT BAR (STAINLESS STEEL)	1
8	WD4008S	#4 BENT BAR (STAINLESS STEEL)	1
9	WD4009S	#4 BENT BAR (STAINLESS STEEL)	1
10	WD4010S	#4 BENT BAR (STAINLESS STEEL)	1
11	WD4011S	#4 BENT BAR (STAINLESS STEEL)	1
12	WD4012S	#4 BENT BAR (STAINLESS STEEL)	1
13			
14			
15		#5 x 3'-3" (STAINLESS STEEL)	4
16			
17			
18			
19			
20			
21			
22			
23			
24			
25			
26			
27		4" I.D. PVC SLEEVE	69 LF
28		1/2" x 4" B-16 COIL LOOP INSERT (GALV.)	10
29		1 1/2" O.D. x 1'-3" STEEL PIPE	2
30		(2) 1/2" 270 KSI STRAND LIFT LOOPS	4
31		3/4" F-64 INSERTS (GALV.)	2
32			

APPROVAL STAMP:	J.P. CARRARA & SONS INC. Precast & Prestress Manufacturer 2464 CASE ST., MIDDLEBURY, VERMONT 05753 Phone:(802)388-6361 Fax:(802)388-9010	Cold River Bridges CONTRACTOR WALPOLE, NEW HAMPSHIRE
	STATE OF VERMONT AGENCY OF TRANSPORTATION COUNTY OF WINDSOR	DATE: JAN. 18, 2018 SCALE: NOTED
	WOODSTOCK VILLAGE VT. ROUTE 4 (CLASS 1), VILLAGE PRINCIPAL ARTERIAL BRIDGE NO.: 51 PROJECT NO.: BF 020-2 (43)	CHKD: A.S. DFTM: T.D. JOB NO: 23522-017
	SOLID SLAB DETAILS	DWG. NO: S1

Production/Record Set
2.13.18
J.P. CARRARA & SONS, INC.
MIDDLEBURY, VT 05753