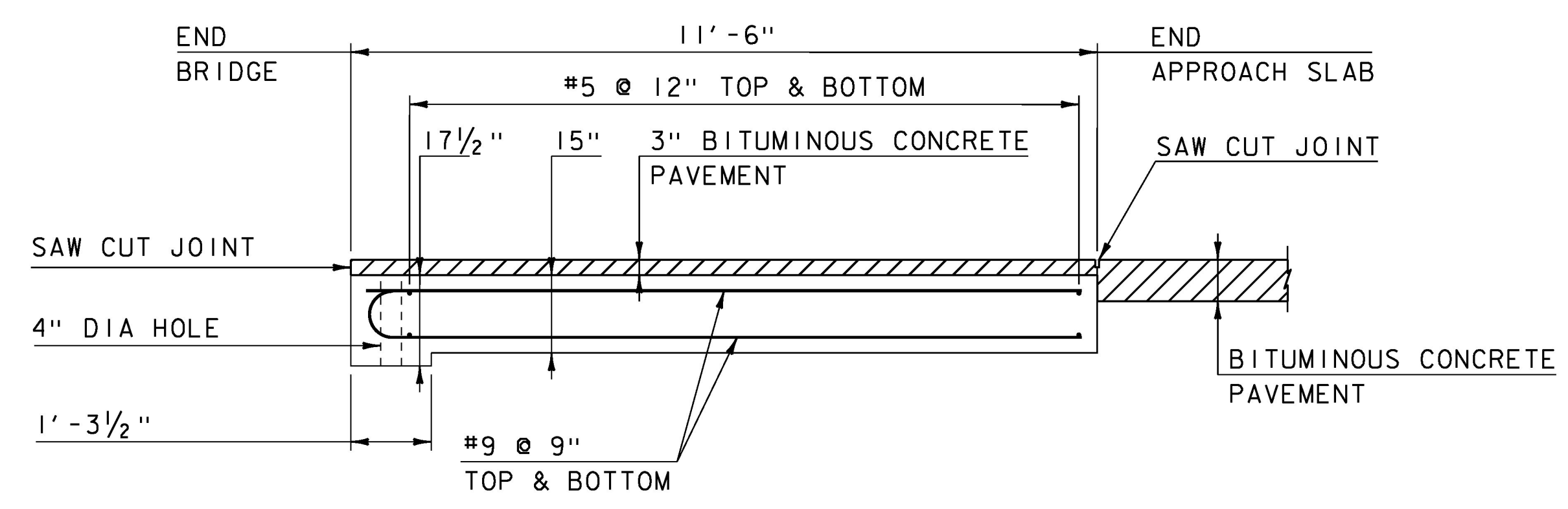
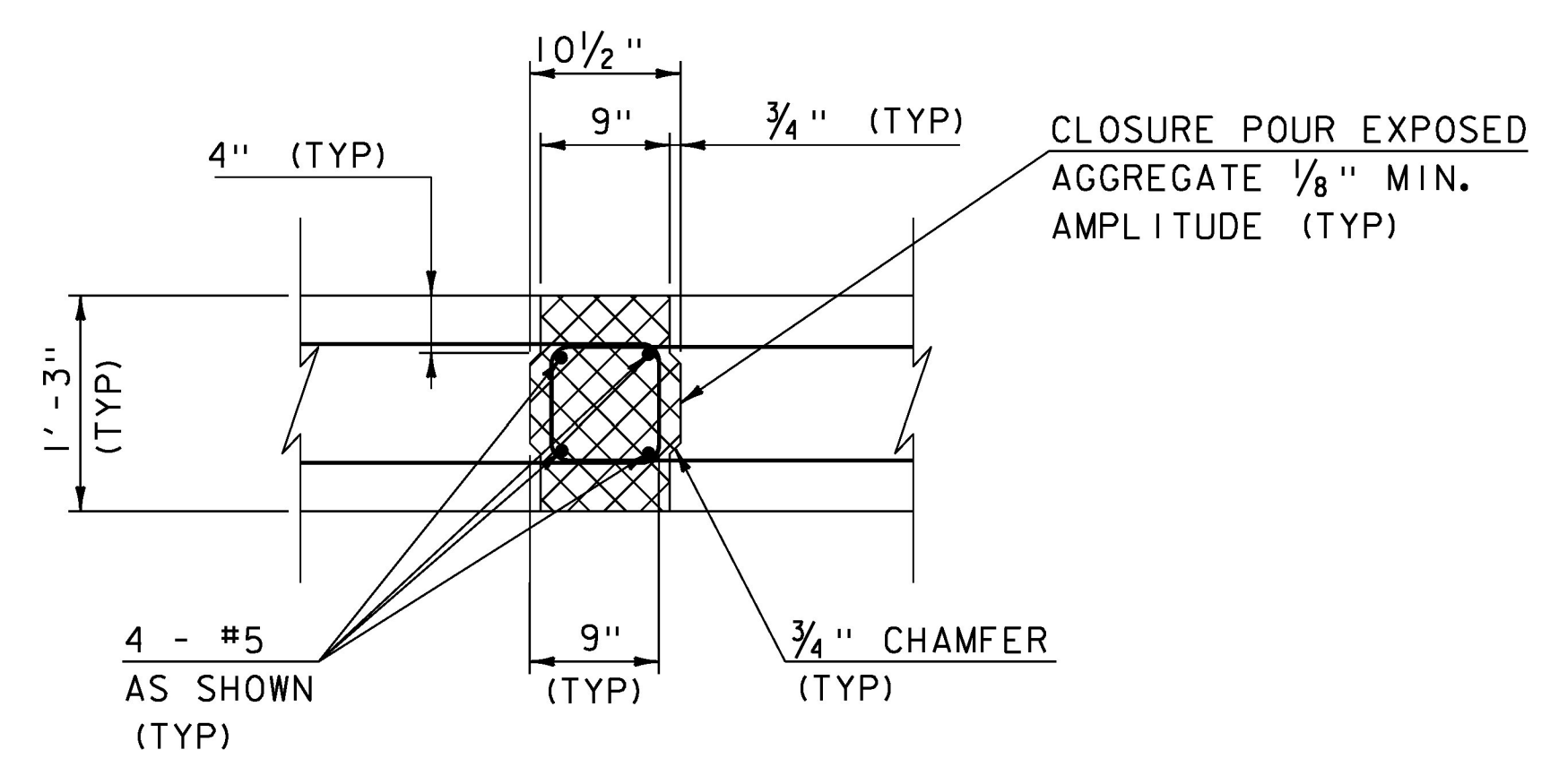


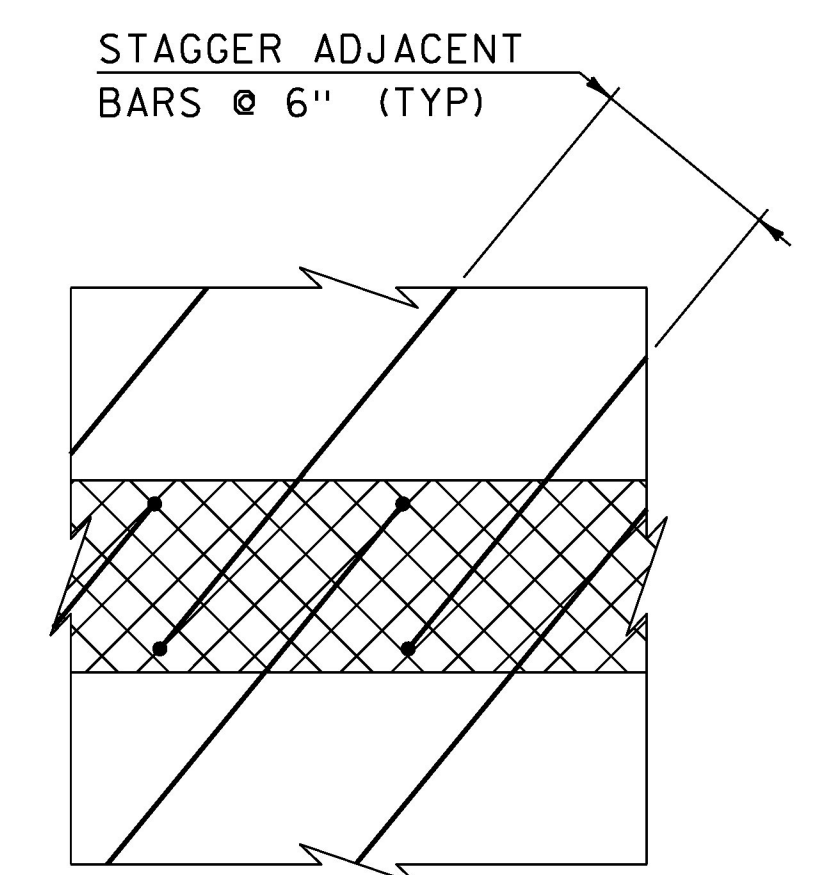
APPROACH SLAB #2 PLAN VIEW
SCALE 3/8" = 1'-0"



APPROACH SLAB #2 ELEVATION
SCALE 1/2" = 1'-0"



CONNECTION DETAIL SECTION
SCALE 1" = 1'-0"



CONNECTION DETAIL PLAN
SCALE 1" = 1'-0"

*NOTE:
LIFTING POINTS SHALL BE DESIGNED BY FABRICATOR AND SUBMITTED WITH CALCULATIONS

NF = NEAR FACE
FF = FAR FACE
EF = EACH FACE
3" CLEAR, UNLESS OTHERWISE SPECIFIED ON THE PLANS.
2'-7" BAR LAP UNLESS OTHERWISE SPECIFIED ON THE PLANS.

REINFORCING IN THE CLOSURE POUR WILL BE PAID UNDER ITEM 507.13 REINFORCING STEEL, LEVEL III (FPQ)

PROJECT NAME:	WOODSTOCK VILLAGE
PROJECT NUMBER:	BF 020-2(43)
FILE NAME:	s13j280appslab.dgn
PROJECT LEADER:	R. YOUNG
DESIGNED BY:	S. COLEY
APPROACH SLAB 2	
PLOT DATE:	18-JUL-2017
DRAWN BY:	S. COLEY
CHECKED BY:	W. LAMMER
SHEET	40 OF 53