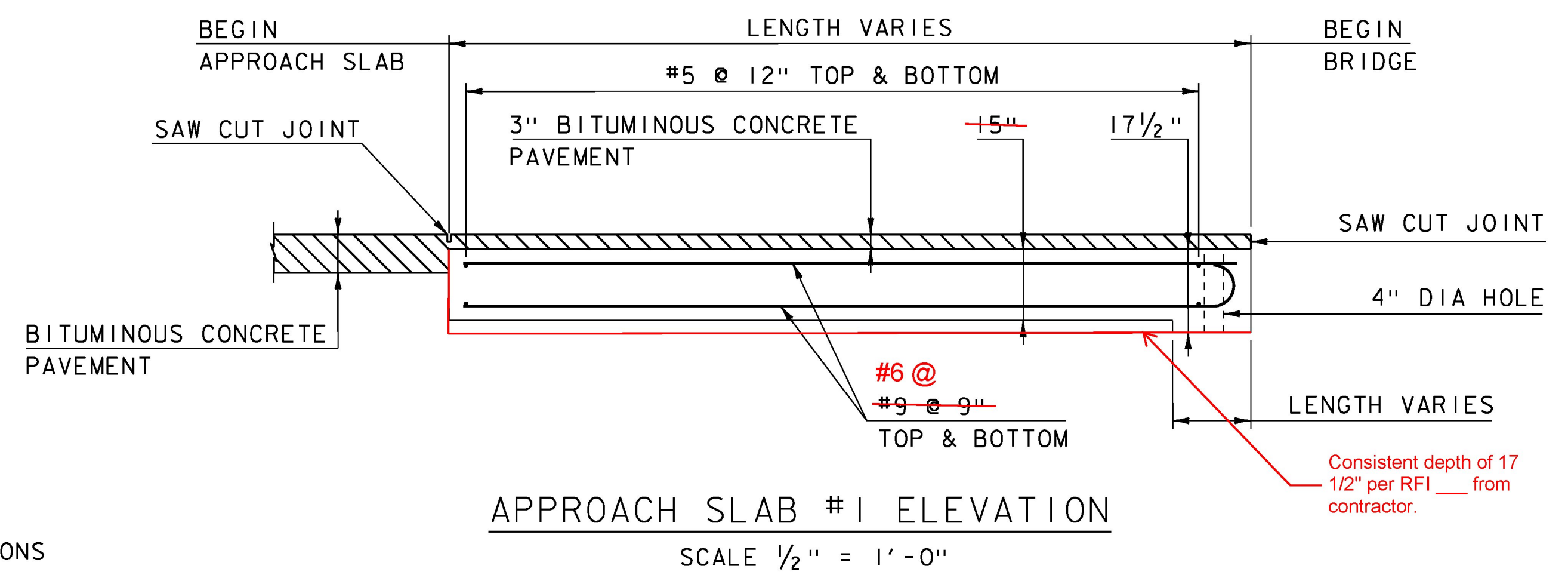
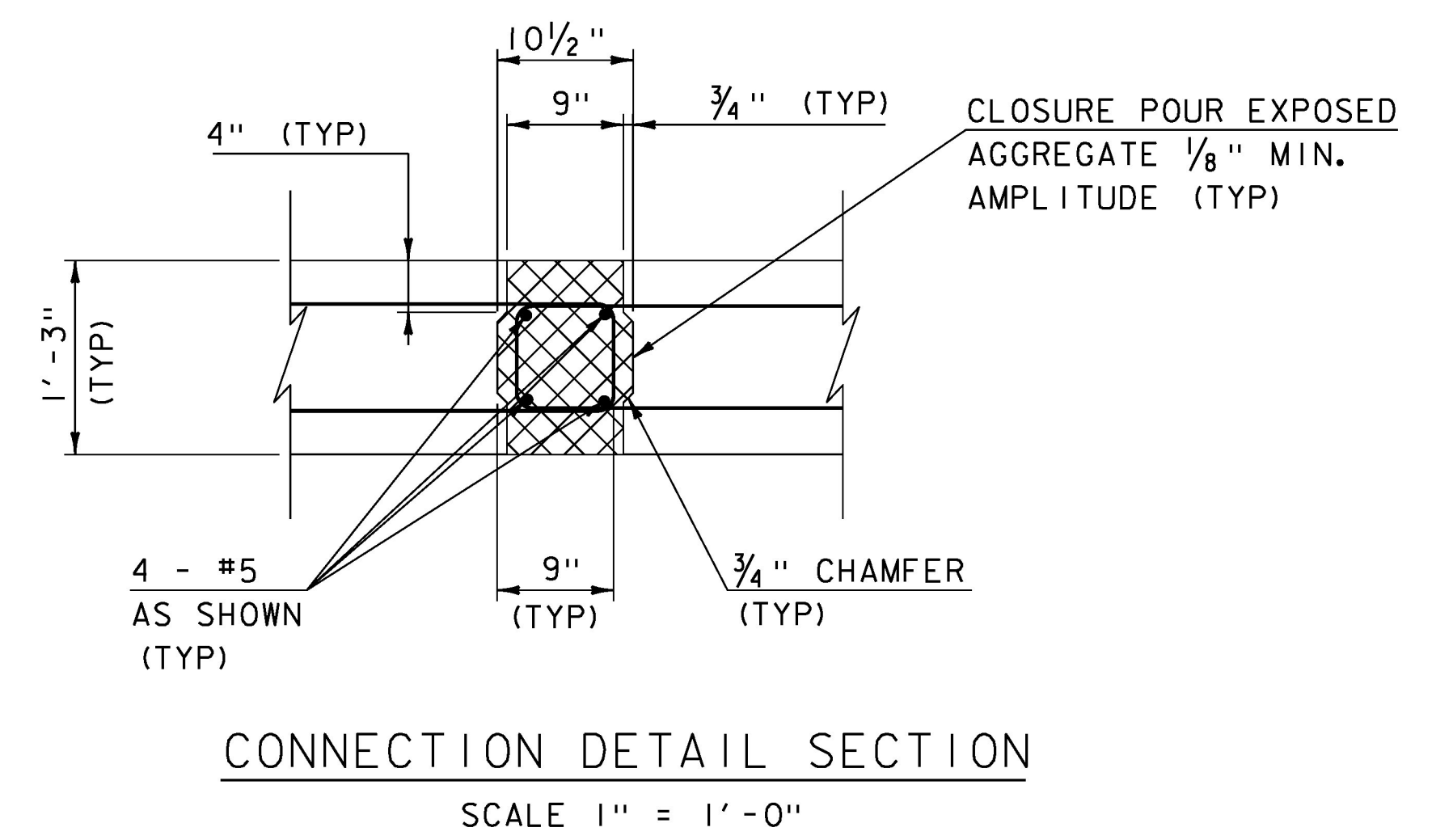
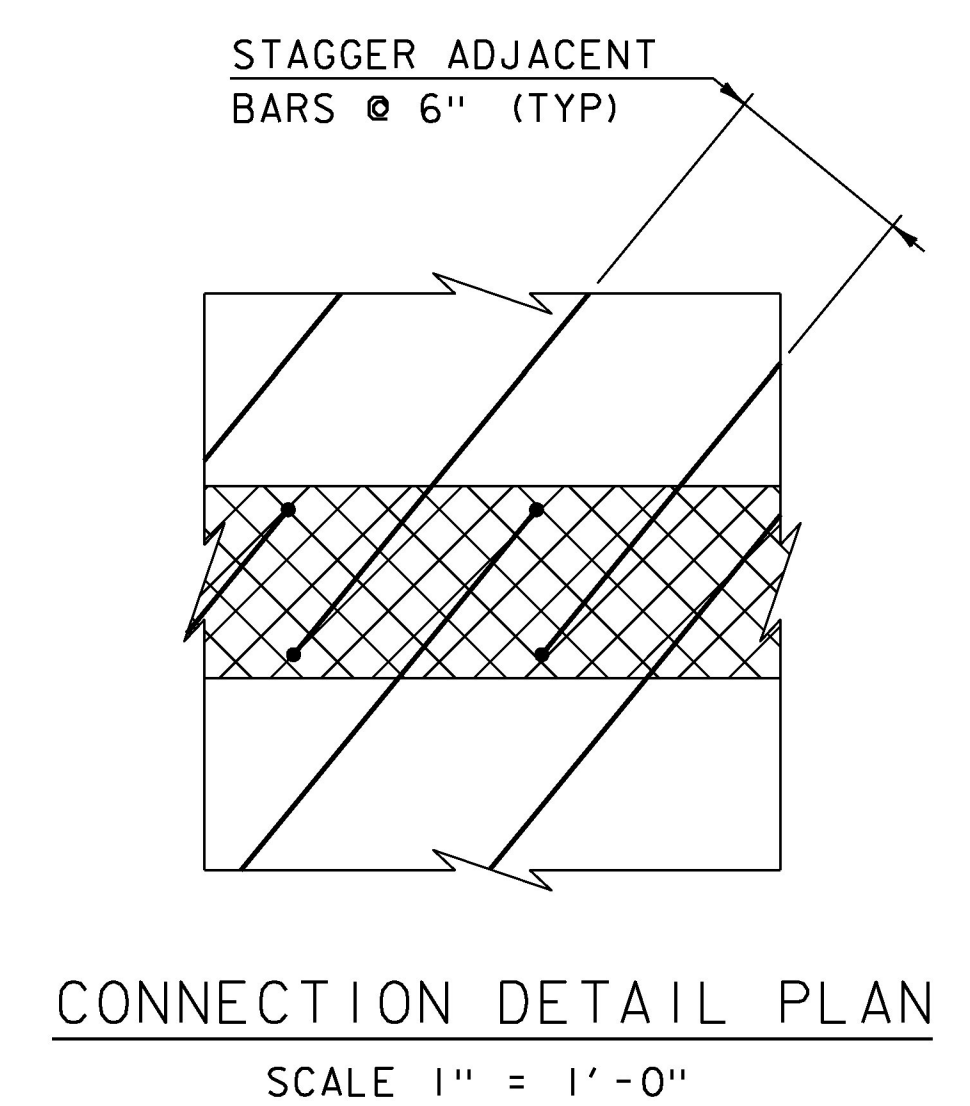


APPROACH SLAB #1 PLAN
SCALE 3/8" = 1'-0"

***NOTE:**
LIFTING POINTS SHALL BE DESIGNED BY FABRICATOR AND SUBMITTED WITH CALCULATIONS

NF = NEAR FACE
FF = FAR FACE
EF = EACH FACE
3" CLEAR, UNLESS OTHERWISE SPECIFIED ON THE PLANS.
2'-7" BAR LAP UNLESS OTHERWISE SPECIFIED ON THE PLANS.

SPECIAL PROVISION (HIGH PERFORMANCE CONCRETE, RAPID SET)
REINFORCING IN THE CLOSURE POUR WILL BE PAID UNDER ITEM 507.13
REINFORCING STEEL, LEVEL III (FPQ)



PROJECT NAME: WOODSTOCK VILLAGE	PLOT DATE: 18-JUL-2017
PROJECT NUMBER: BF 020-2(43)	DRAWN BY: S. COLEY
FILE NAME: s13j280appslab.dgn	CHECKED BY: W. LAMMER
PROJECT LEADER: R. YOUNG	SHEET 39 OF 53
DESIGNED BY: S. COLEY	
APPROACH SLAB 1	