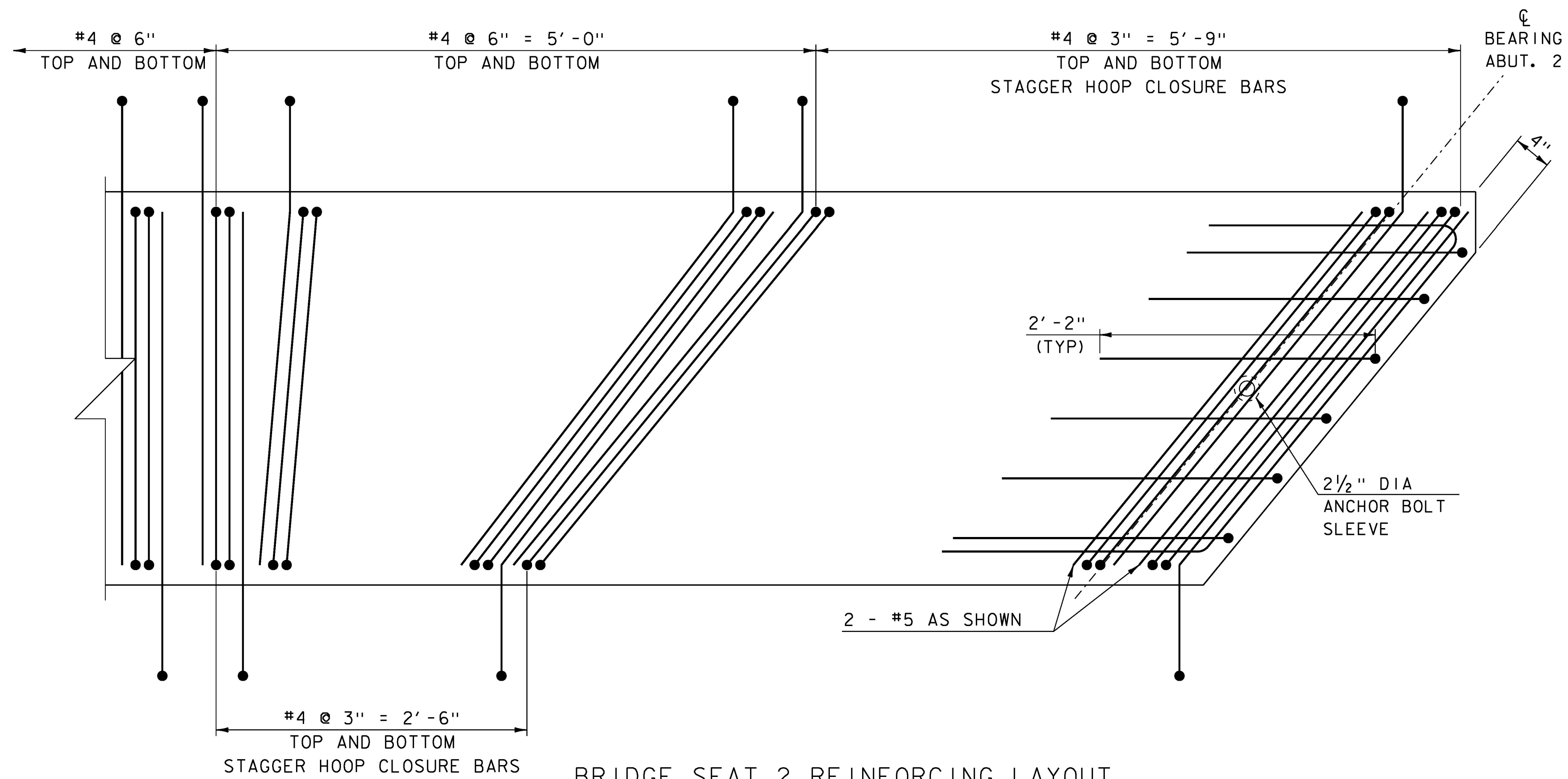


BRIDGE SEAT 1 REINFORCING LAYOUT

SCALE 1 1/2" = 1'-0"



BRIDGE SEAT 2 REINFORCING LAYOUT

SCALE 1 1/2" = 1'-0"

NOTE: HOOP CLOSURE BARS SHALL EXIT CONCRETE PERPENDICULAR TO THE FACE OF CONCRETE. INTERNAL SLABS SHOWN, MAINTAIN STAGGER ON EXTERNAL SLABS.

PROJECT NAME:	WOODSTOCK VILLAGE
PROJECT NUMBER:	BF 020-2(43)
FILE NAME:	sl3j280sup.dgn
PROJECT LEADER:	R. YOUNG
DESIGNED BY:	S. COLEY
SOLID SLAB DETAILS	3
PLOT DATE:	09-AUG-2017
DRAWN BY:	S. COLEY
CHECKED BY:	W. LAMMER
SHEET	35 OF 53