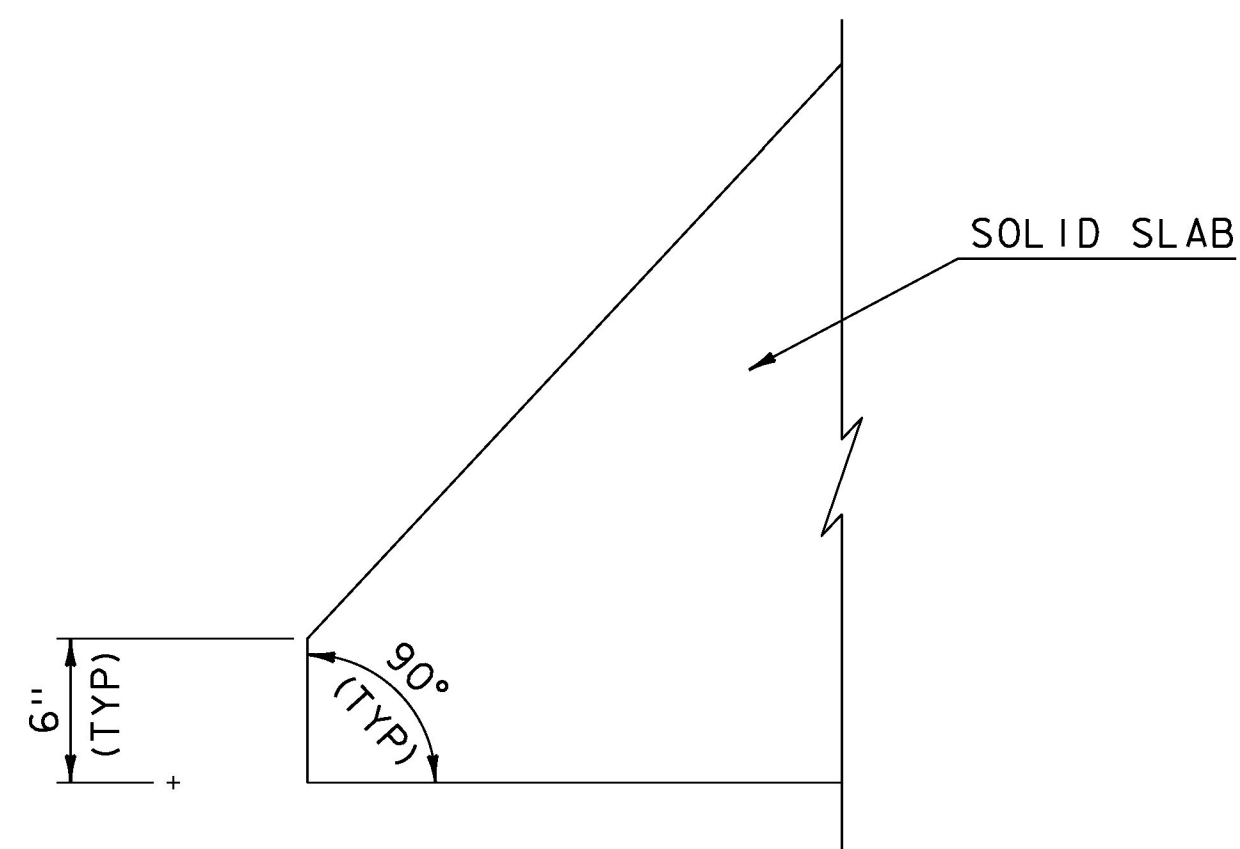
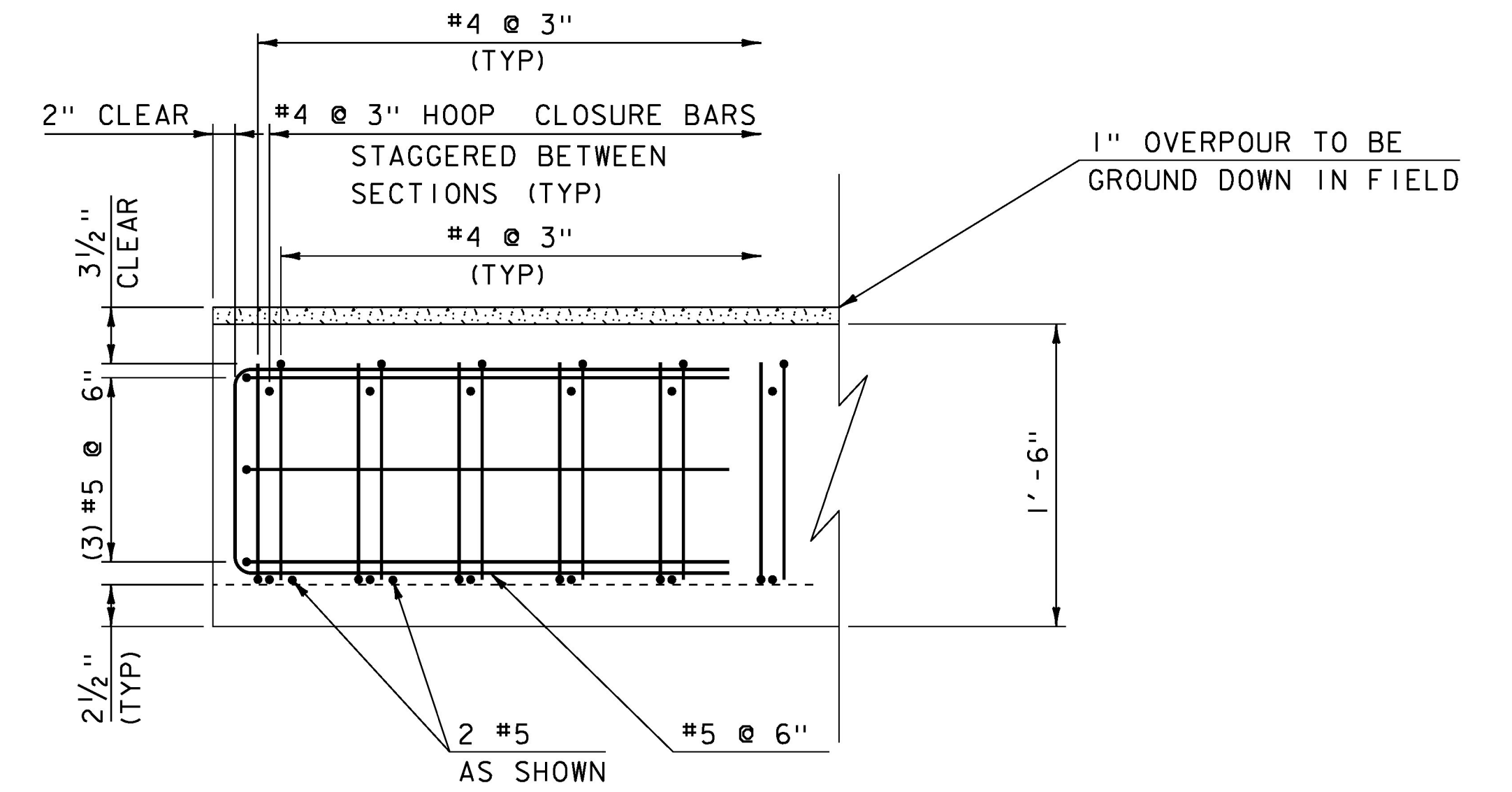


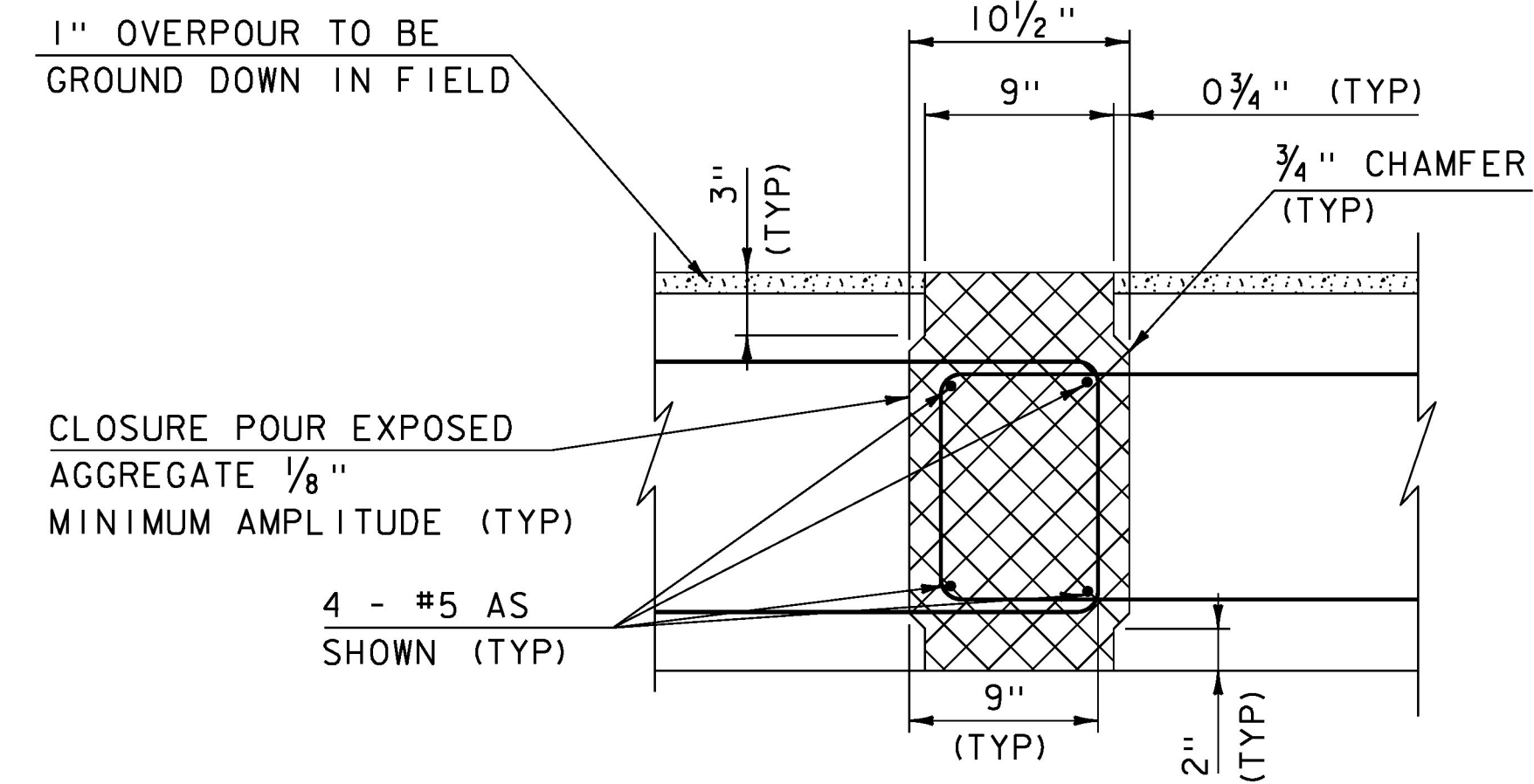
SLAB 14  
SCALE 1/2" = 1'-0"



CLIPPED END DETAIL  
SCALE 1/2" = 1'-0"



ADDITIONAL END BEAM REINFORCING  
SCALE 1/2" = 1'-0"



CONNECTION DETAIL SECTION  
SCALE 1/2" = 1'-0"

- △ DEBONDED 4' - 0"
- DEBONDED 6' - 0"
- ▨ CONCRETE OVERPOUR TO BE GROUND DOWN
- ⊠ RAPID SET CONCRETE

PROJECT NAME: WOODSTOCK VILLAGE	PLOT DATE: 09-AUG-2017
PROJECT NUMBER: BF 020-2(43)	DRAWN BY: S. COLEY
FILE NAME: sl3j280sup.dgn	CHECKED BY: W. LAMMER
PROJECT LEADER: R. YOUNG	SHEET 34 OF 53
DESIGNED BY: S. COLEY	
SOLID SLAB DETAILS 2	