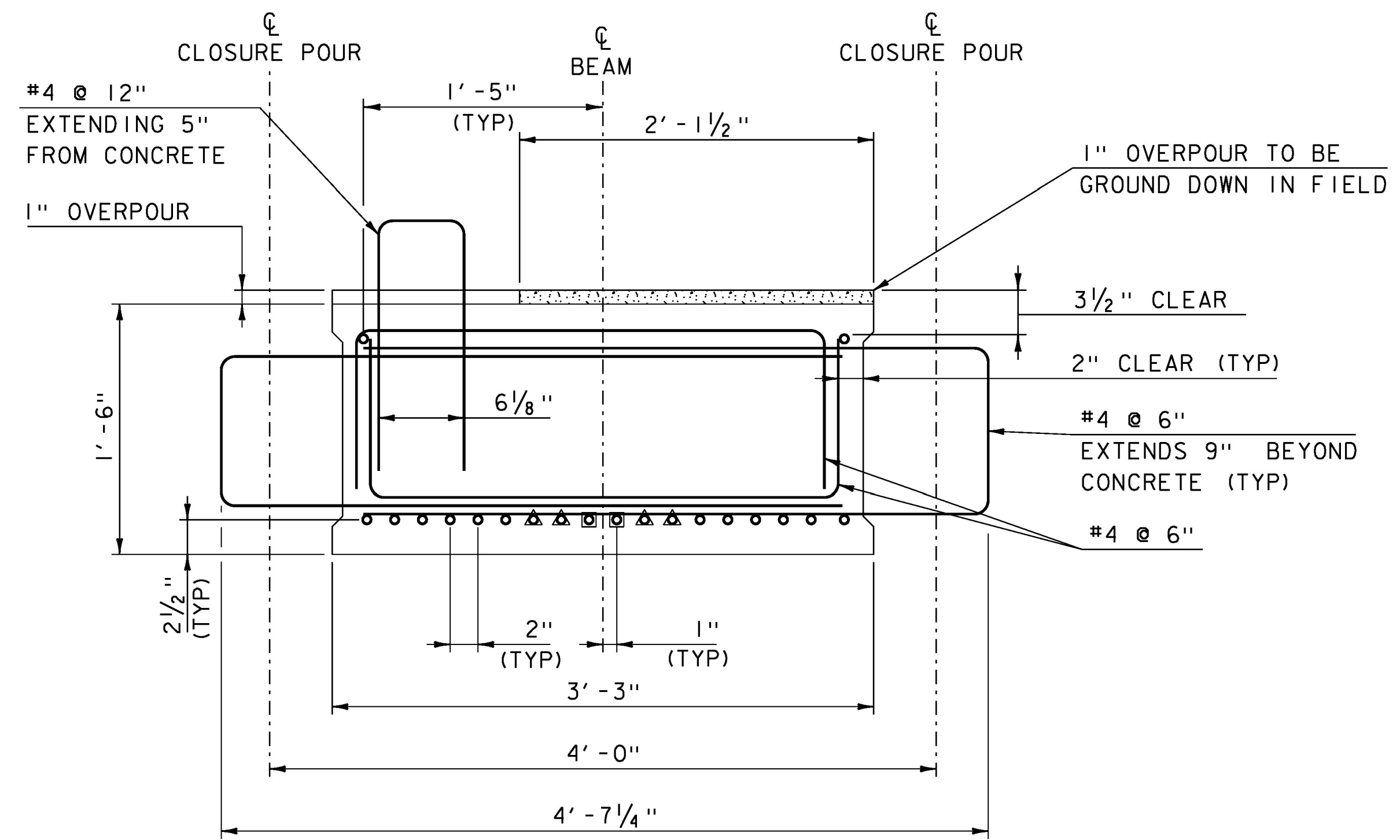
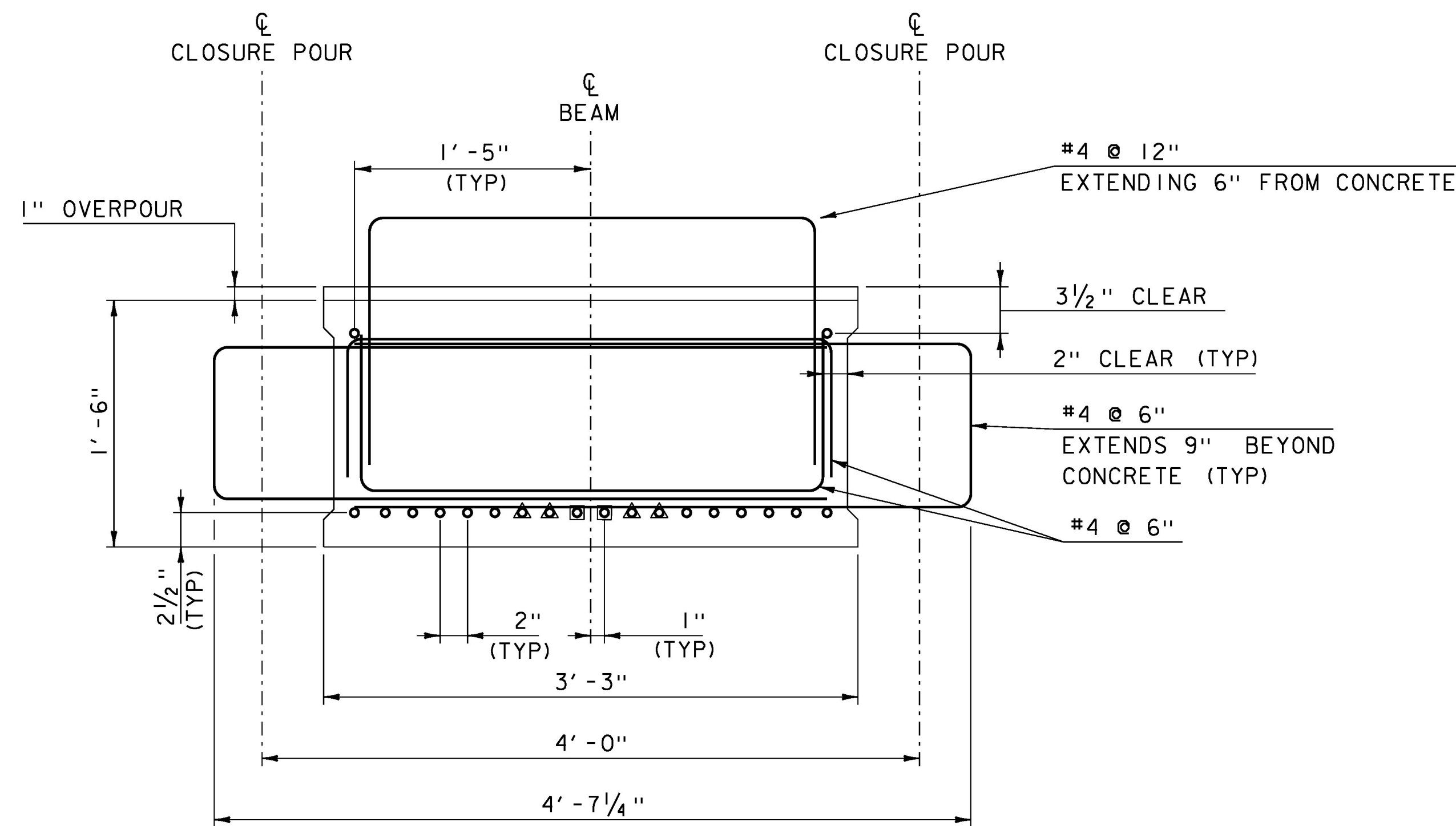


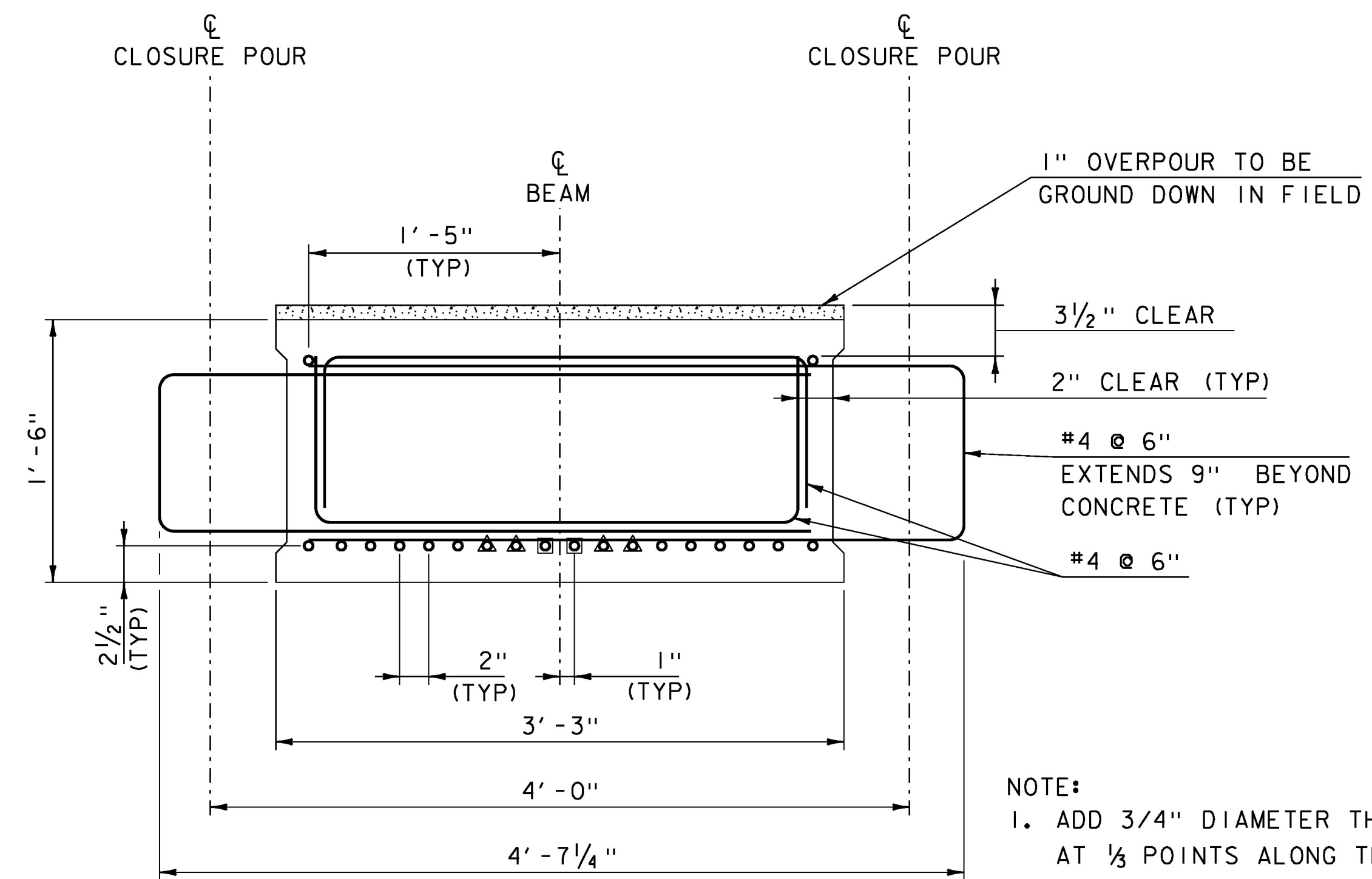
SLAB 1
SCALE 1 1/2" = 1'-0"



SLAB 3
SCALE 1 1/2" = 1'-0"



SLABS 2 AND 13
SCALE 1 1/2" = 1'-0"



SLABS 4 THROUGH 12
SCALE 1 1/2" = 1'-0"

- NOTE:
1. ADD 3/4" DIAMETER THREADED INSERTS SPACED AT 1/2 POINTS ALONG THE LENGTH OF SLABS 1 AND 2 TO SUPPORT UTILITY CONDUITS.
 2. INSERT 2 - 4" UTILITY CONDUITS IN SOLID SLAB 1. UTILITY CONDUITS SHALL BE INCLUDED UNDER THE PAY ITEM 900.640 SPECIAL PROVISION (PRESTRESSED CONCRETE SOLID SLABS EXTERIOR) (18"X48")

- △ DEBONDED 4'-0"
- DEBONDED 6'-0"
- ▨ CONCRETE OVERPOUR TO BE GROUND DOWN

PROJECT NAME: WOODSTOCK VILLAGE
PROJECT NUMBER: BF 020-2(43)

FILE NAME: sl3j280sup.dgn PLOT DATE: 09-AUG-2017
PROJECT LEADER: R. YOUNG DRAWN BY: S. COLEY
DESIGNED BY: S. COLEY CHECKED BY: W. LAMMER
SOLID SLAB DETAILS I SHEET 33 OF 53