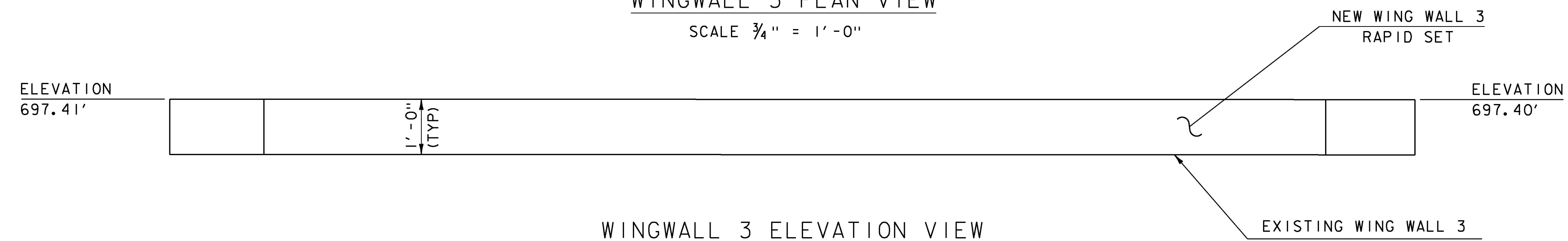


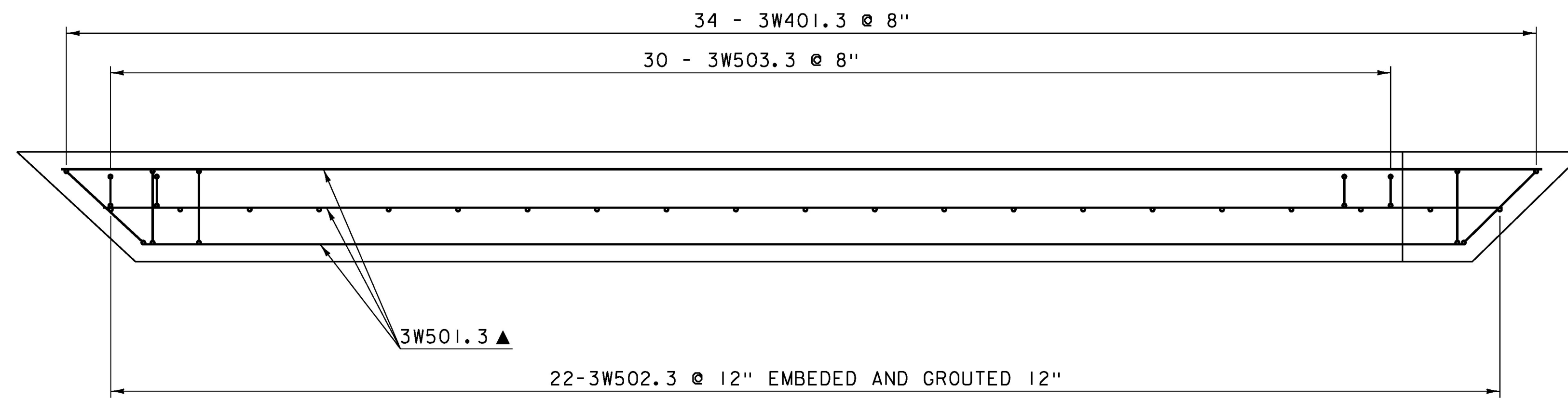
WINGWALL 3 PLAN VIEW

SCALE 3/4" = 1'-0"



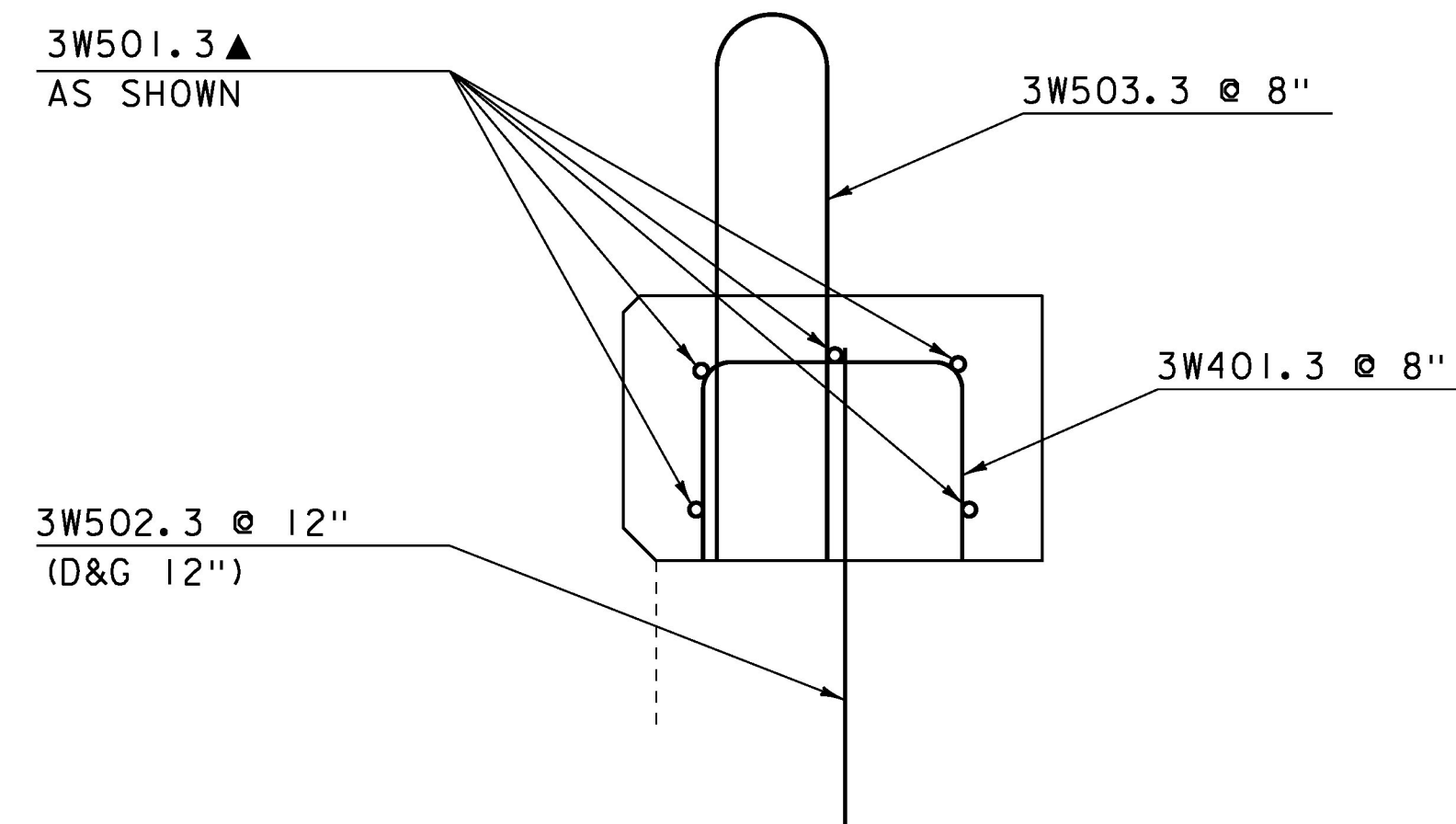
WINGWALL 3 ELEVATION VIEW

SCALE 3/4" = 1'-0"



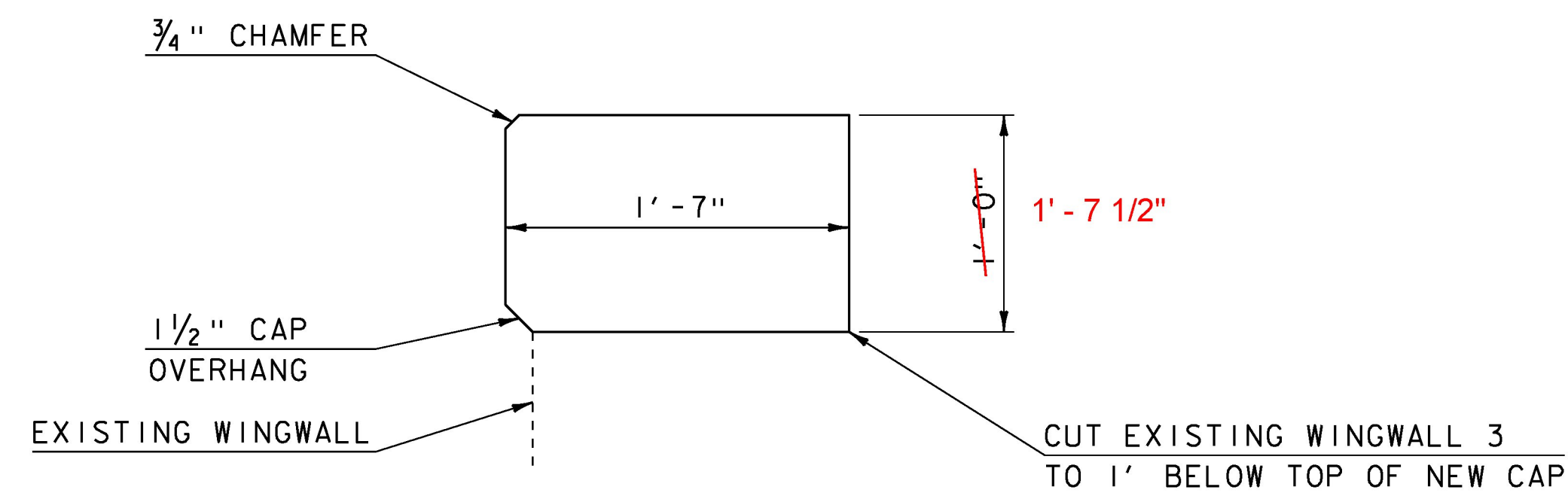
WINGWALL 3 REINFORCING

SCALE 3/4" = 1'-0"



WINGWALL 3 TYPICAL REINFORCEMENT

SCALE 1/2" = 1'-0"



WINGWALL 3 TYPICAL

SCALE 1/2" = 1'-0"

NF = NEAR FACE
 FF = FAR FACE
 EF = EACH FACE
 (D&G) = DRILL AND GROUT
 ▲ = CUT FIT IN FIELD
 1/2" CLEAR, UNLESS OTHERWISE SPECIFIED ON PLANS.
 2'-2" BAR LAP UNLESS OTHERWISE SPECIFIED ON THE PLANS.

NOTES:
 CUT EXISTING WINGWALL ONE FOOT BELOW THE TOP ELEVATION OF THE NEW WALL.
 REINFORCING STICKING OUT TO BE SET PLUMB FOR THE BRIDGE RAILING.

PROJECT NAME: WOODSTOCK VILLAGE
 PROJECT NUMBER: BF 020-2(43)

FILE NAME: s13j280sub.dgn
 PROJECT LEADER: R. YOUNG
 DESIGNED BY: S. COLEY
 WINGWALL 3
 PLOT DATE: 18-JUL-2017
 DRAWN BY: S. COLEY
 CHECKED BY: W. LAMMER
 SHEET 30 OF 53