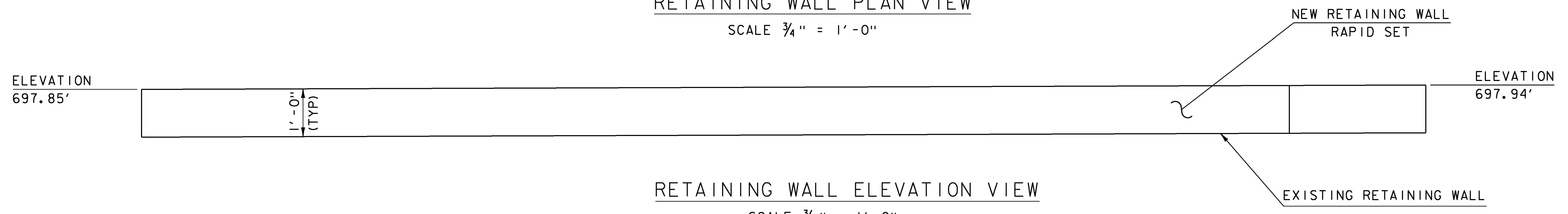
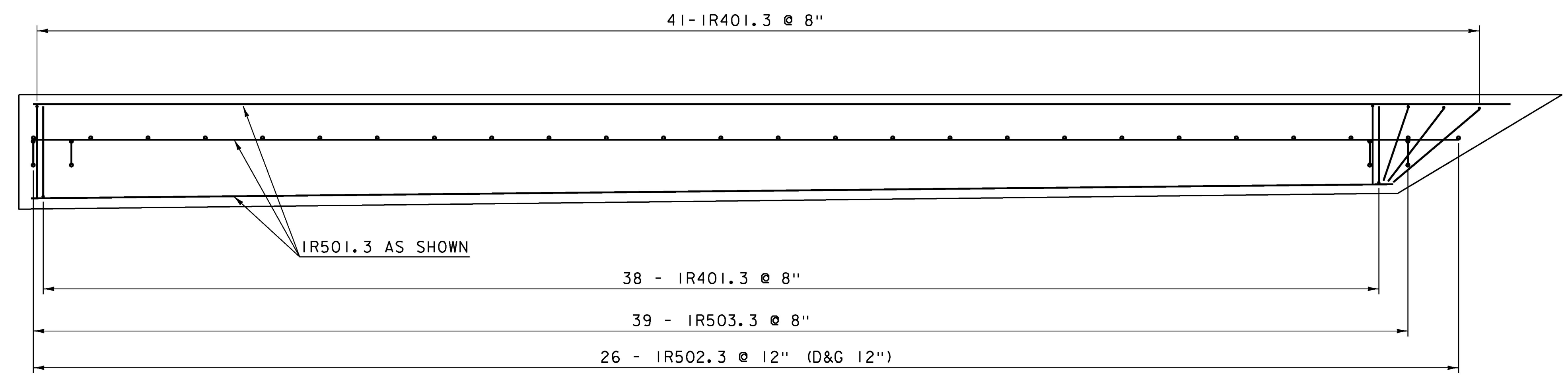


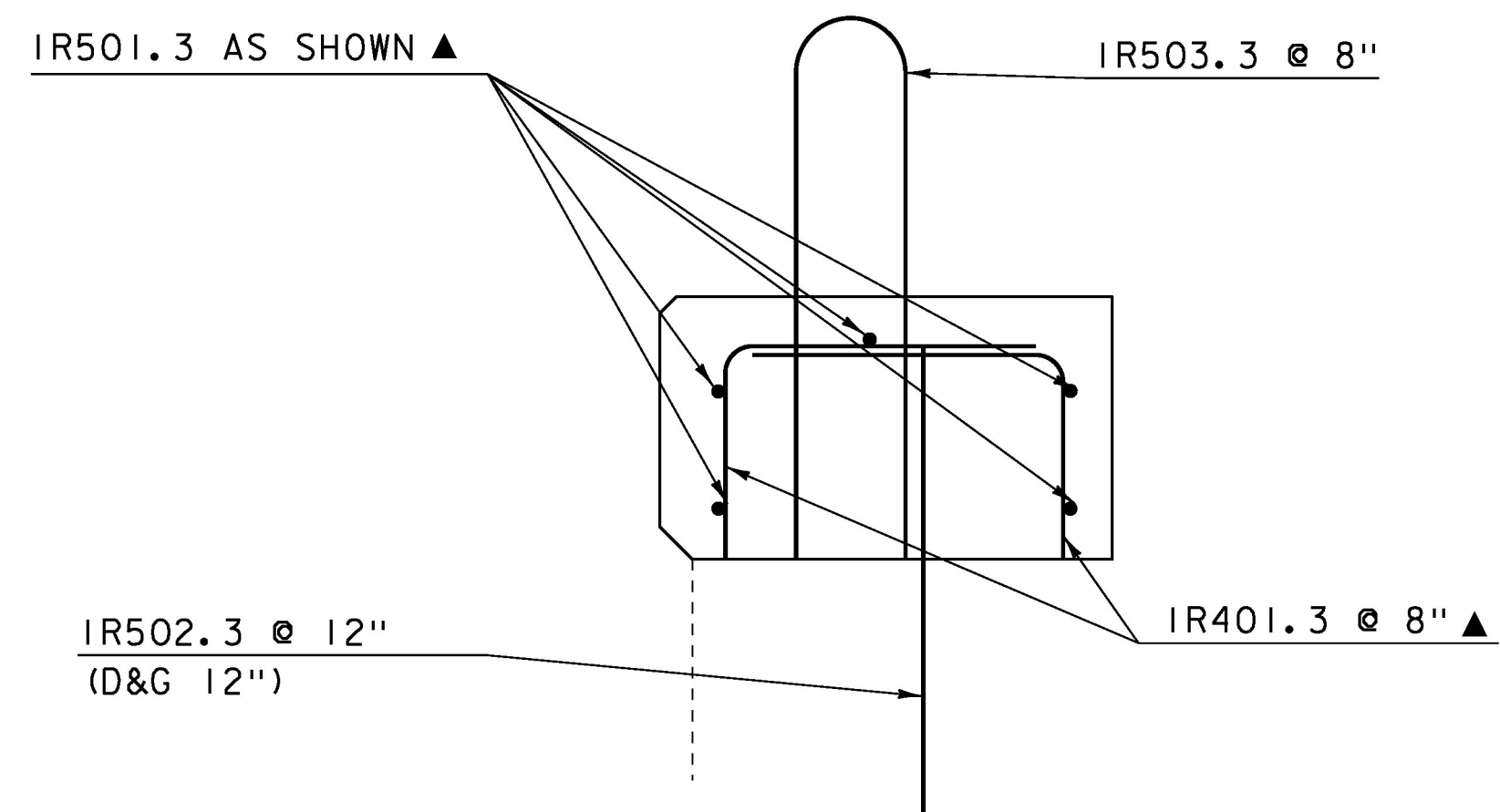
RETAINING WALL PLAN VIEW
SCALE 3/4" = 1'-0"



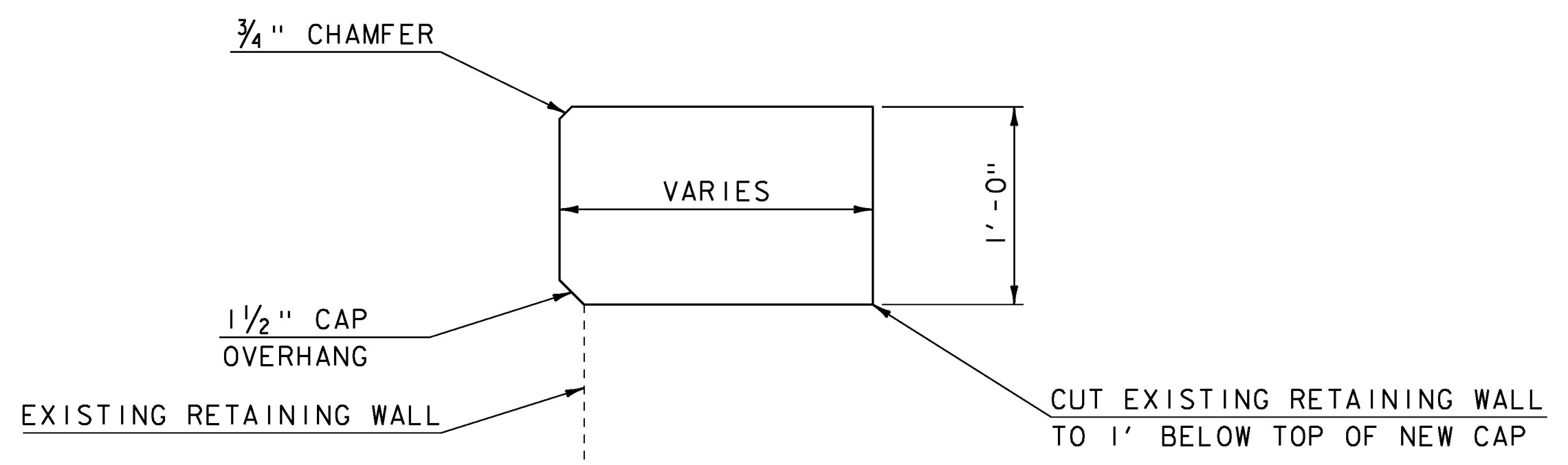
RETAINING WALL ELEVATION VIEW
SCALE 3/4" = 1'-0"



RETAINING WALL REINFORCING
SCALE 3/4" = 1'-0"



RETAINING WALL TYPICAL REINFORCEMENT
SCALE 1/2" = 1'-0"



RETAINING WALL TYPICAL
SCALE 1/2" = 1'-0"

NF = NEAR FACE
 FF = FAR FACE
 EF = EACH FACE
 (D&G) = DRILL AND GROUT
 ▲ = CUT FIT IN FIELD
 1 1/2" CLEAR, UNLESS OTHERWISE SPECIFIED ON PLANS.
 2'-2" BAR LAP UNLESS OTHERWISE SPECIFIED ON THE PLANS.

NOTES:

- 1) CUT EXISTING RETAINING WALL ONE FOOT BELOW THE TOP ELEVATION OF THE NEW WALL.
- 2) REINFORCING STICKING OUT TO BE SET PLUMB FOR THE BRIDG RAILING.
- 3) THE WIDTH OF THE NE BRIDGE SEAT WILL VARY ALONG THE LENGTH.

PROJECT NAME:	WOODSTOCK VILLAGE
PROJECT NUMBER:	BF 020-2(43)
FILE NAME:	sl3j280sub.dgn
PROJECT LEADER:	R. YOUNG
DESIGNED BY:	S. COLEY
RETAINING WALL	
PLOT DATE:	18-JUL-2017
DRAWN BY:	S. COLEY
CHECKED BY:	W. LAMMER
SHEET	29 OF 53