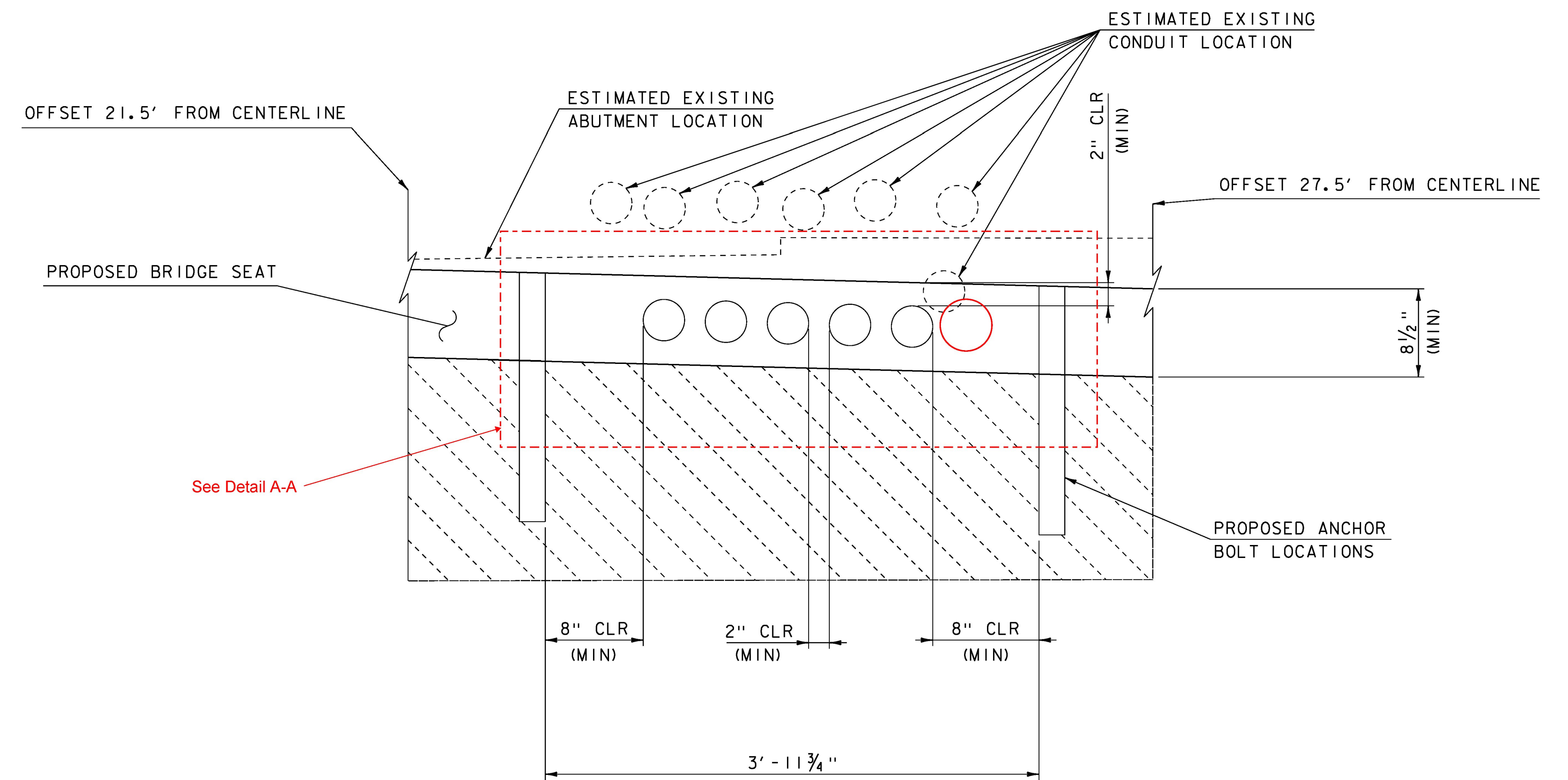
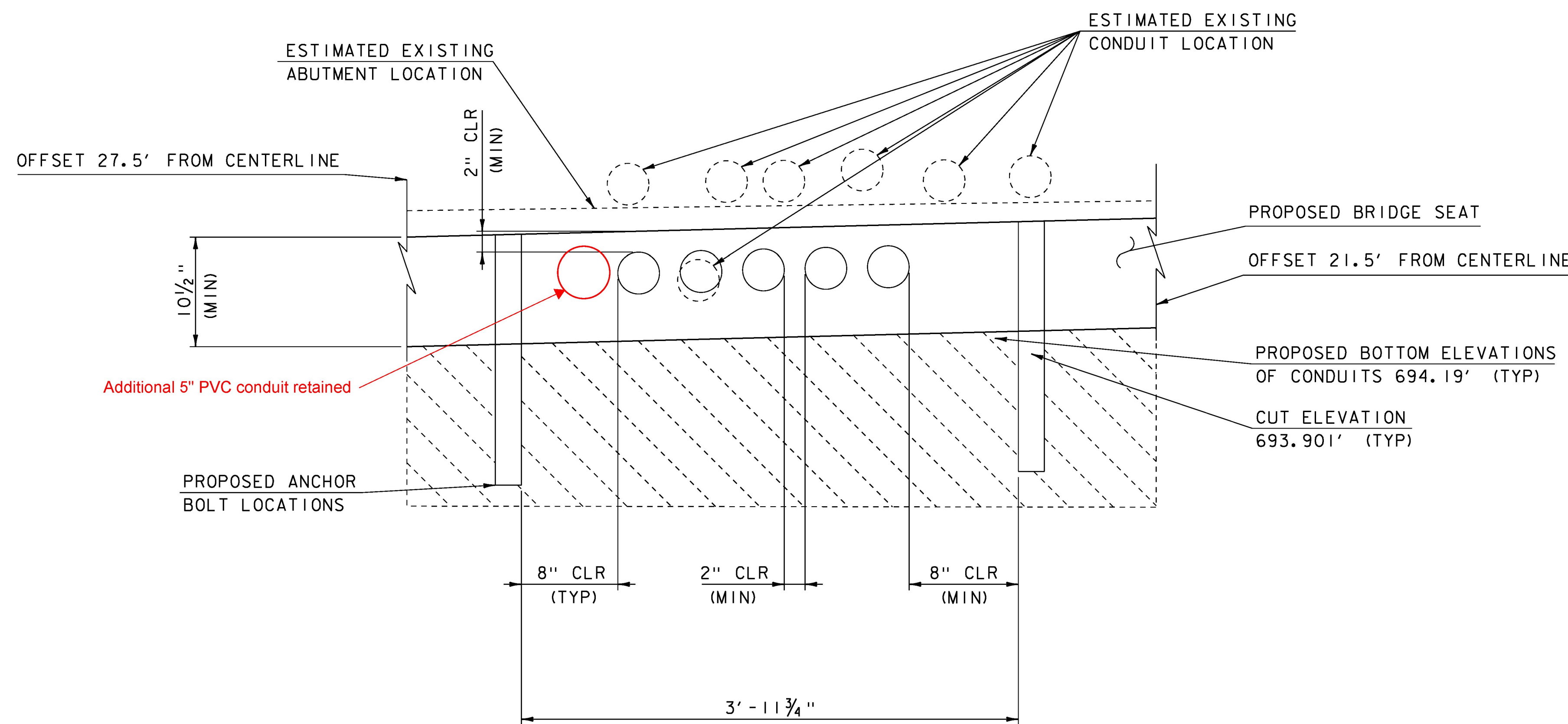


DETAIL A-A BRIDGE SEAT 1 UTILITY CONDUIT ALLOCATION



BRIDGE SEAT 1 UTILITY LOCATIONS

SCALE 1/2" = 1'-0"



BRIDGE SEAT 2 UTILITY LOCATIONS

SCALE 1/2" = 1'-0"

EXISTING CONCRETE THAT IS BEING LEFT

NOTES:

- 1) MINIMUM DISTANCE BETWEEN UTILITY NOTCH AND THE EDGE OF THE ANCHOR BOLT IS 8 INCHES
- 2) MINIMUM DISTANCE BETWEEN EACH CONDUIT IS 2 INCHES

PROJECT NAME:	WOODSTOCK VILLAGE
PROJECT NUMBER:	BF 020-2(43)
FILE NAME:	sl3j280sub.dgn
PROJECT LEADER:	R. YOUNG
DESIGNED BY:	S. COLEY
UTILITY CONDUIT ELEVATION:	
PLOT DATE:	18-JUL-2017
DRAWN BY:	S. COLEY
CHECKED BY:	W. LAMMER
SHEET	28 OF 53