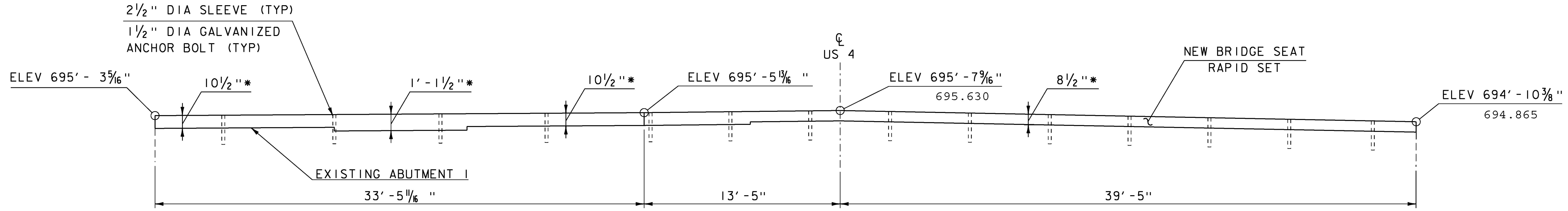
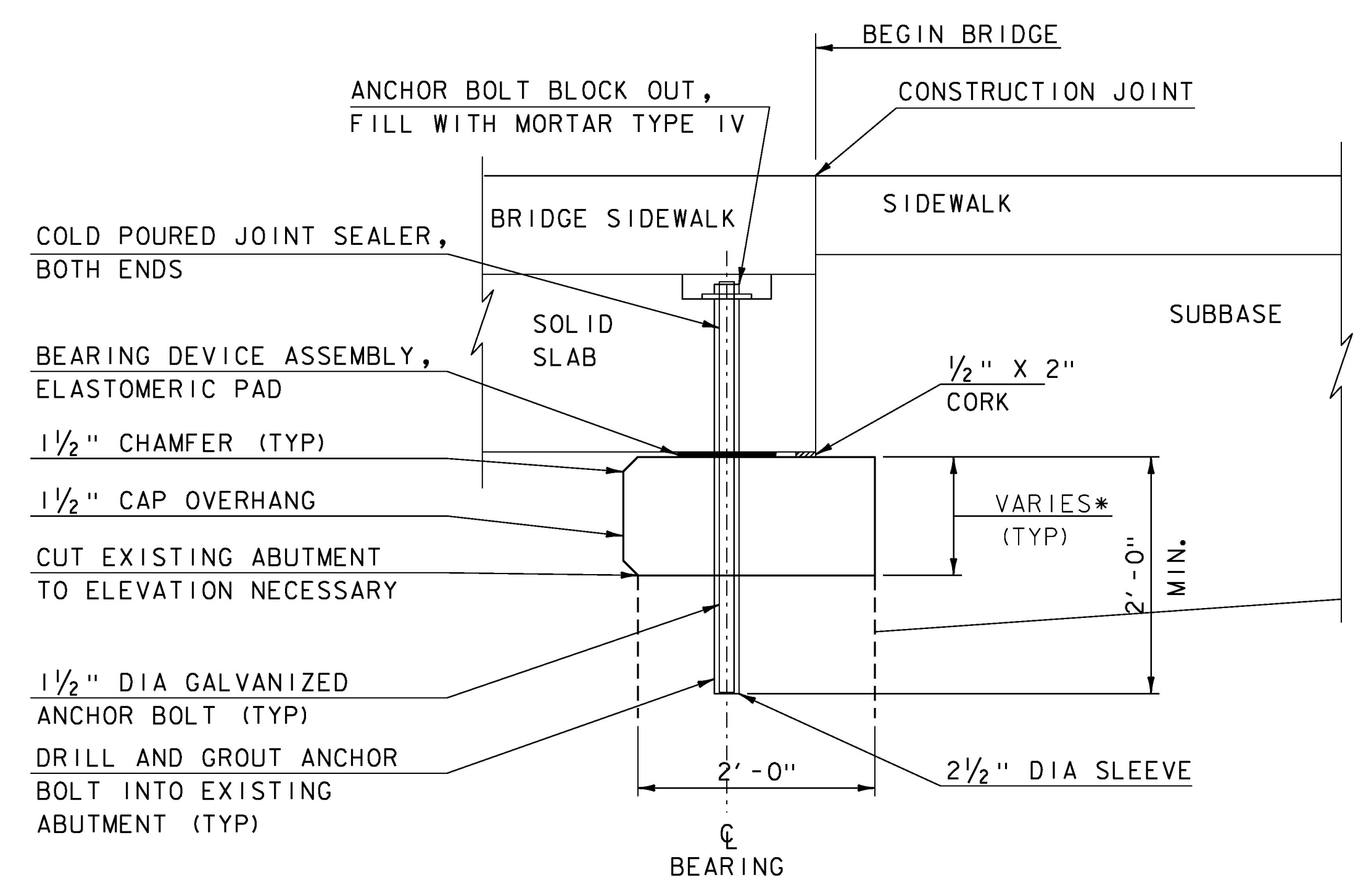


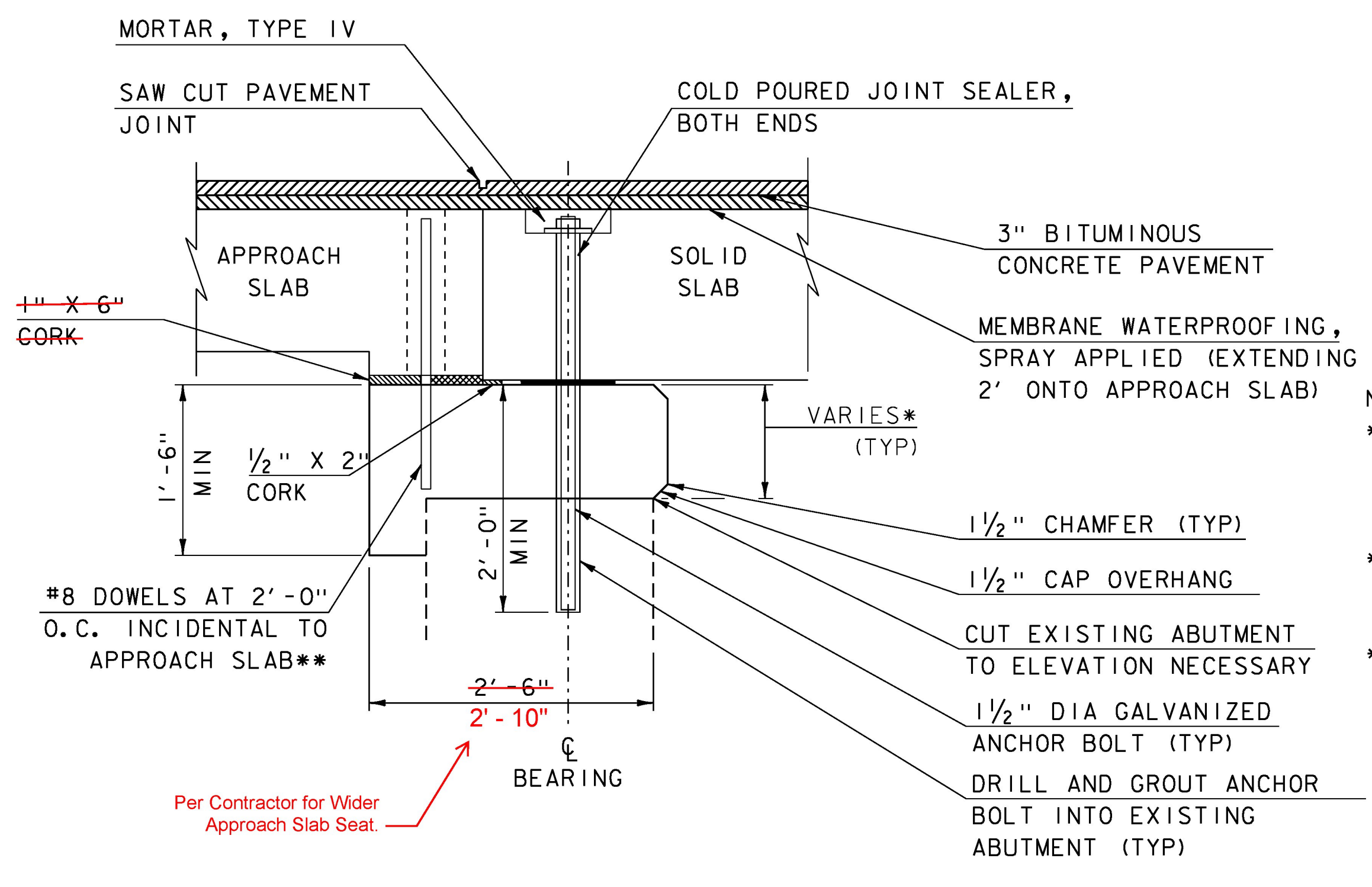
BRIDGE SEAT I PLAN
SCALE 1/4" = 1'-0"



BRIDGE SEAT I ELEVATION ALONG CL BEARING
SCALE 1/4" = 1'-0"



BRIDGE SEAT TYPICAL SECTION A-A***
NORMAL TO CL BEARING
SCALE 1" = 1'-0"



BRIDGE SEAT TYPICAL SECTION B-B***
NORMAL TO CL BEARING
SCALE 1" = 1'-0"

NOTES:
 * CUT EXISTING ABUTMENT AS REQUIRED TO MEET THE MINIMUM THICKNESS REQUIREMENT OF 0'-8 1/2" FOR THE NEW BRIDGE SEAT. DEPTH OF BRIDGE SEAT VARIES BASED ON EXISTING BRIDGE SEAT ELEVATION
 ** FILL WITH MORTAR, TYPE IV (ALLOW TO FLOW UNDER APPROACH SLAB). DOWEL END IN APPROACH SLAB WRAPPED IN PIPE INSULATION.
 *** BRIDGE SEAT 1 SECTIONS SHOWN, BRIDGE SEAT 2 SECTIONS SIMILAR

PROJECT NAME:	WOODSTOCK VILLAGE
PROJECT NUMBER:	BF 020-2(43)
FILE NAME:	sl3j280sub.dgn
PROJECT LEADER:	R. YOUNG
DESIGNED BY:	S. COLEY
BRIDGE SEAT I	
PLOT DATE:	18-JUL-2017
DRAWN BY:	S. COLEY
CHECKED BY:	W. LAMMER
SHEET	25 OF 53