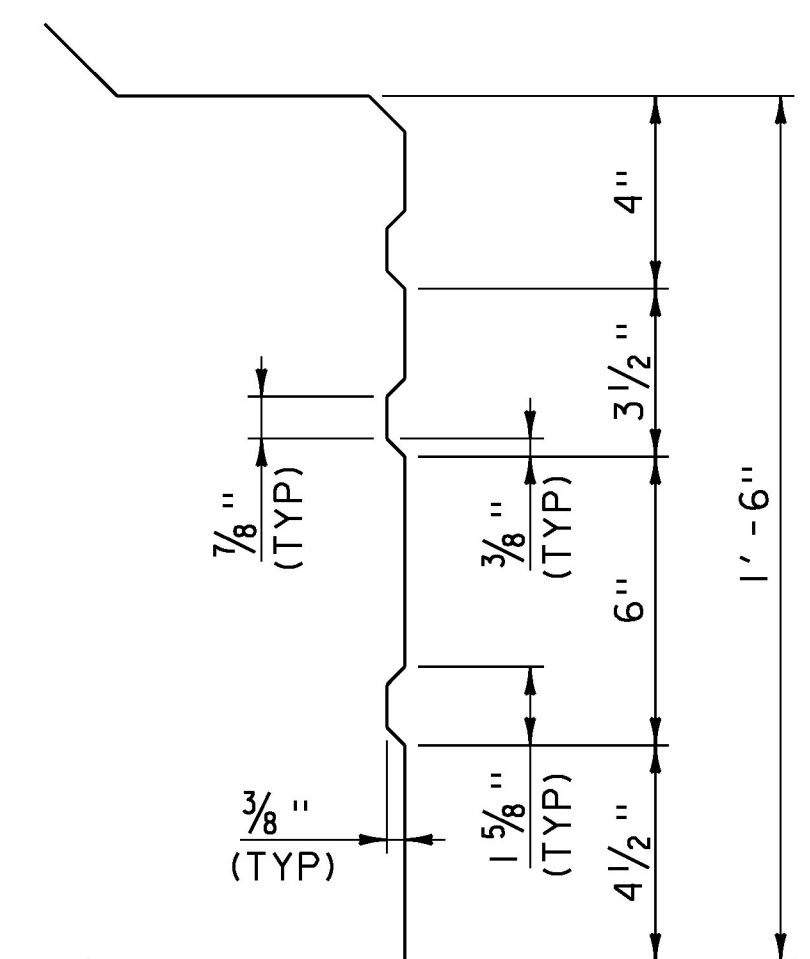
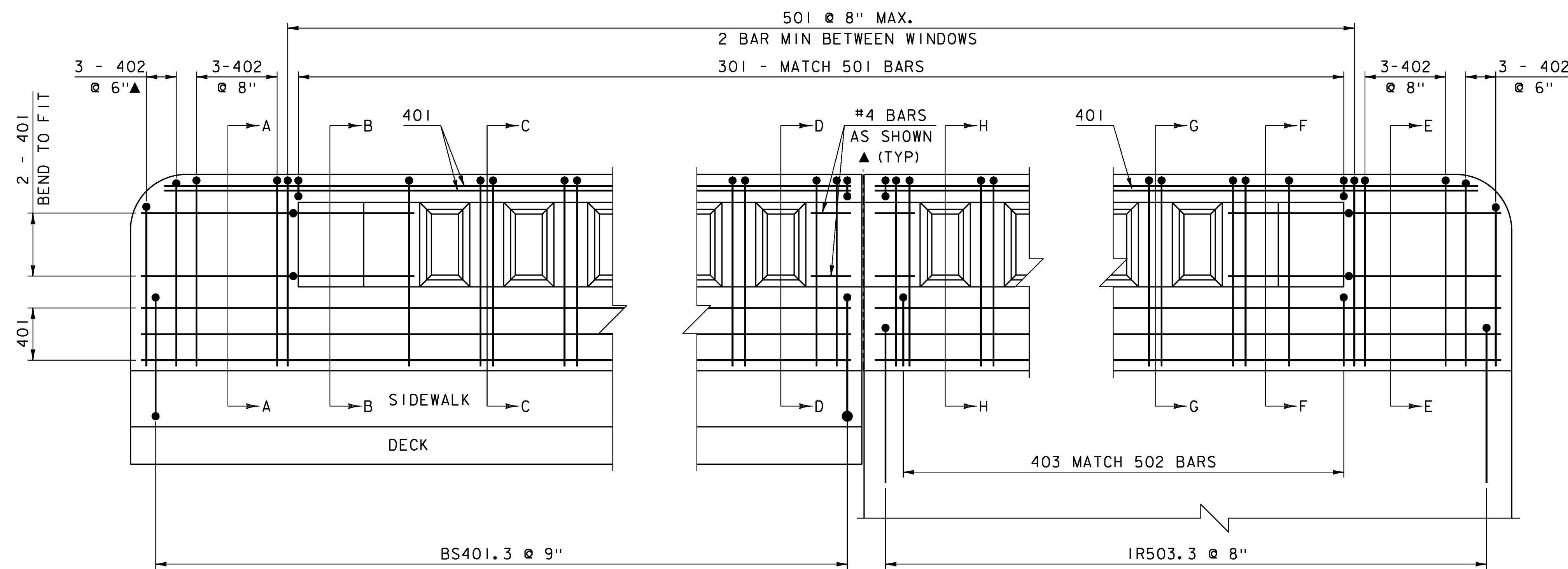


RIGHT BRIDGE RAILING ELEVATION

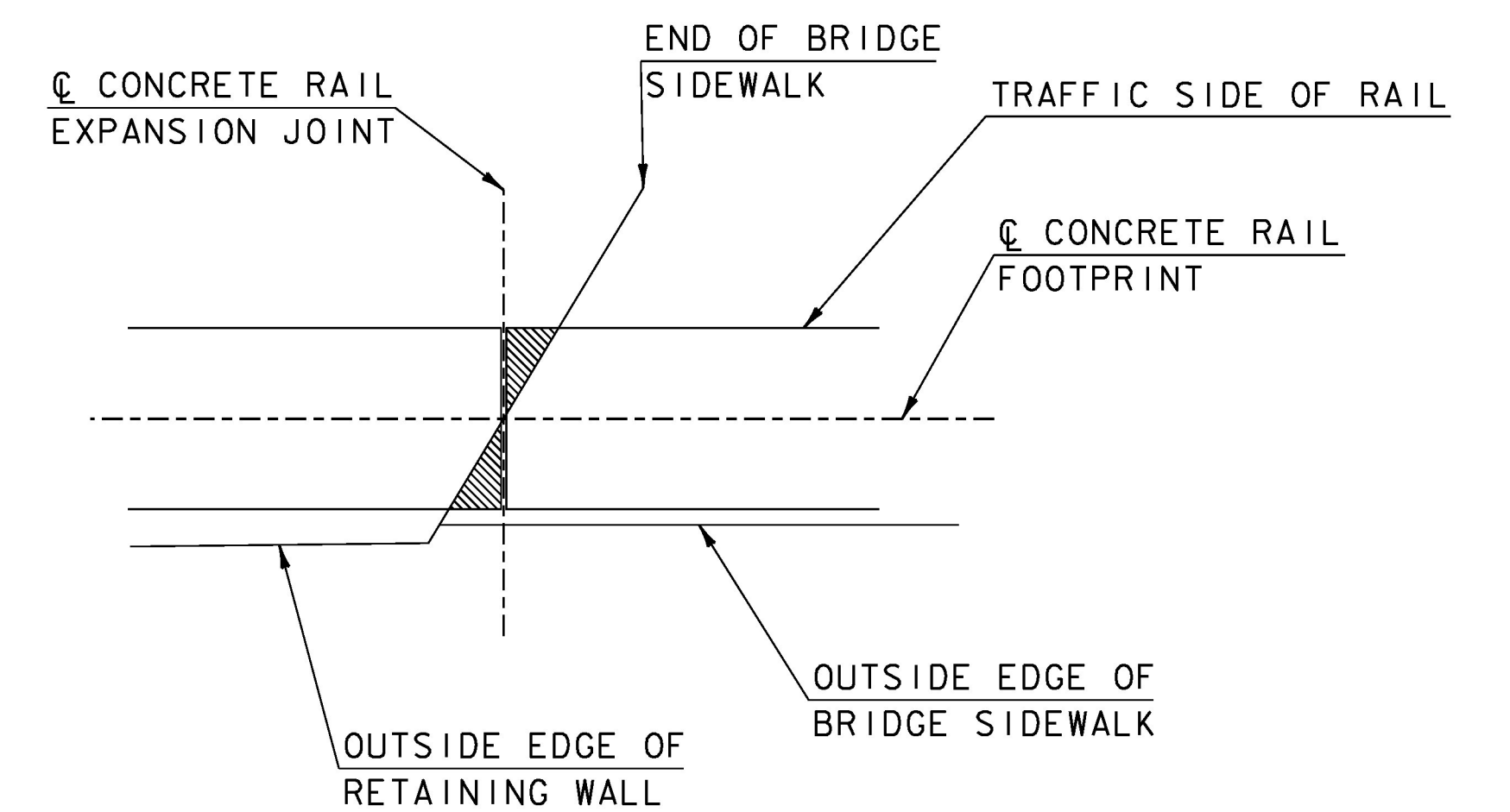
SCALE 3/4" = 1' - 0"



TYPICAL REVEAL LOCATION DETAIL



RIGHT BRIDGE RAILING REINFORCEMENT



RIGHT BRIDGE RAIL EXPANSION DETAIL

NOTES:

1. HATCHED AREA MUST HAVE 1/2" CORK MATERIAL UNDER CONCRETE RAIL AS SHOWN.
2. THE GAP IN THE RAIL AT THE EXPANSION JOINT IS 1/2" WIDE.
3. LOCATION OF THE RAIL EXPANSION JOINT MUST BE AT THE INTERSECTION OF THE END OF BRIDGE SIDEWALK, CENTERLINE RAIL FOOTPRINT AND PERPENDICULAR TO THE RAIL.

NOTE:

NF = NEAR FACE
 FF = FAR FACE
 EF = EACH FACE
 ▲ = CUT TO FIT IN FIELD
 1 3/4" CLEAR, UNLESS OTHERWISE SPECIFIED ON THE PLANS.
 ALL CHAMFERS ARE 3/4" UNLESS OTHERWISE SPECIFIED ON THE PLANS.

PROJECT NAME:	WOODSTOCK VILLAGE
PROJECT NUMBER:	BF 020-2(43)
FILE NAME:	I3J280/si3J280r-ail.dgn
PROJECT LEADER:	R.YOUNG
DESIGNED BY:	W.LAMMER
RIGHT RAILING PROFILE	
PLOT DATE:	18-JUL-2017
DRAWN BY:	D.D.BEARD
CHECKED BY:	W.LAMMER
SHEET	18 OF 53