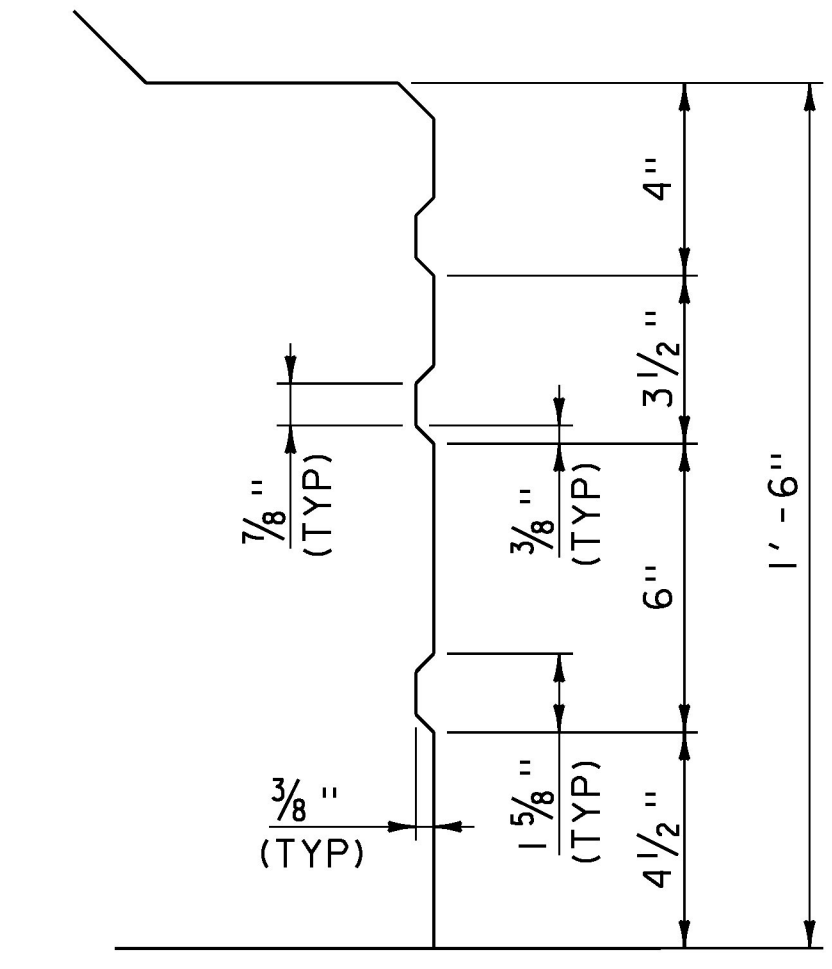
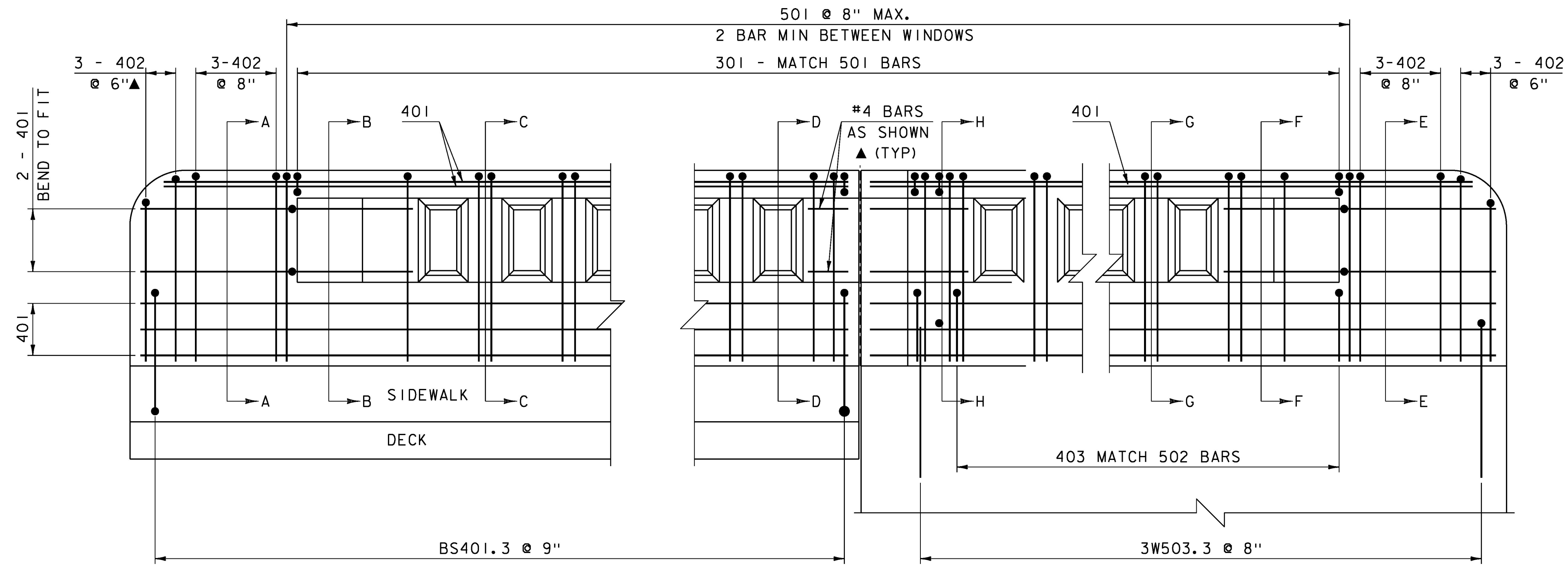


LEFT BRIDGE RAILING ELEVATION

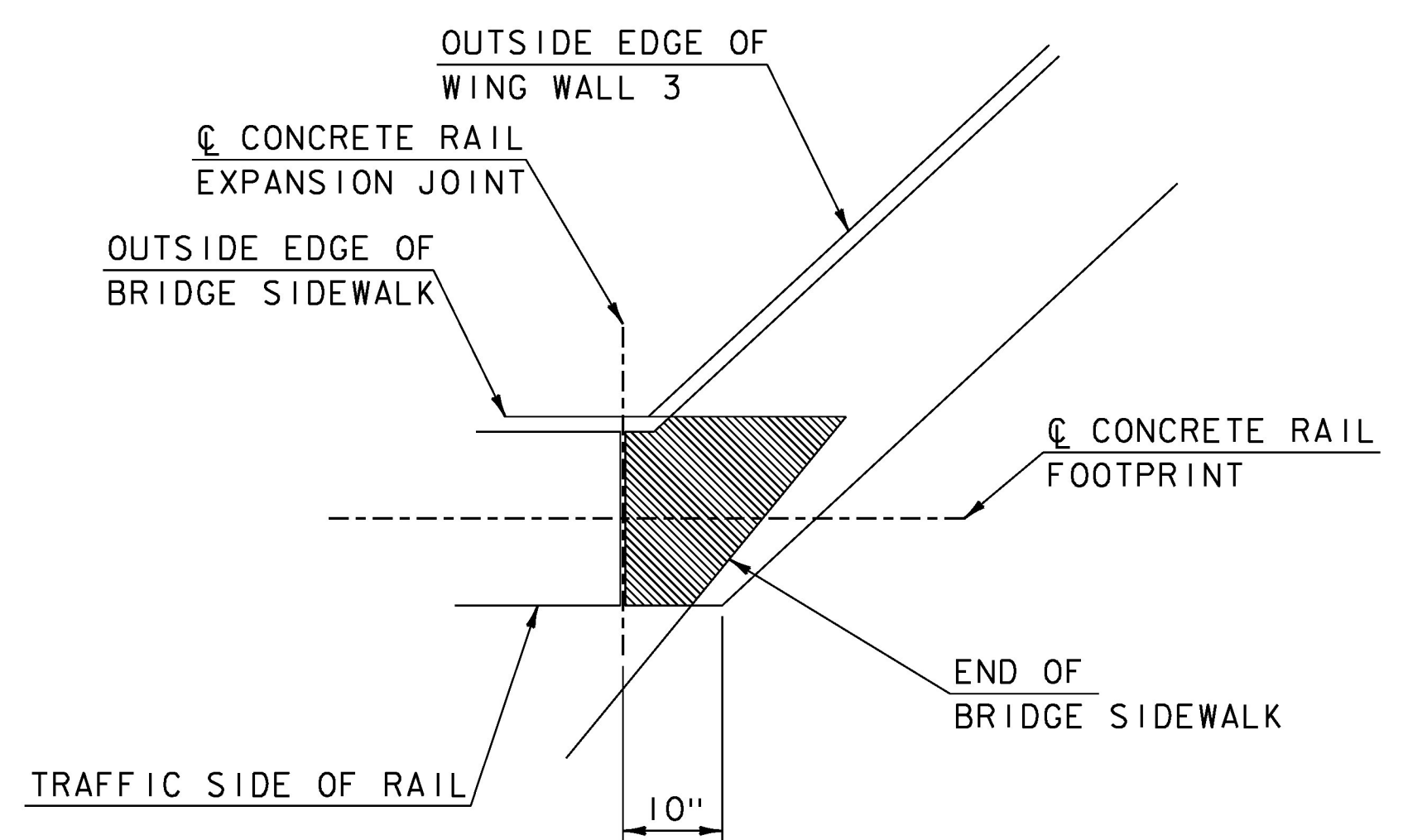
SCALE 3/4" = 1' - 0"



TYPICAL REVEAL LOCATION DETAIL



LEFT BRIDGE RAILING REINFORCEMENT



LEFT BRIDGE RAIL EXPANSION DETAIL

- NOTES:
1. HATCHED AREA MUST HAVE 1/2" CORK MATERIAL UNDER CONCRETE RAIL AS SHOWN.
 2. THE GAP IN THE RAIL AT THE EXPANSION JOINT IS 1/2" WIDE.
 3. LOCATION OF THE RAIL EXPANSION JOINT MUST BE AT 10" FROM THE CORNER OF THE RAIL ON THE SIDEWALK SIDE AND BE PERPENDICULAR TO THE RAIL.

NOTE:

NF = NEAR FACE

FF = FAR FACE

EF = EACH FACE

▲ = CUT TO FIT IN FIELD

1 3/4" CLEAR, UNLESS OTHERWISE SPECIFIED ON THE PLANS.

ALL CHAMFERS ARE 3/4" UNLESS OTHERWISE SPECIFIED ON THE PLANS.

| | |
|----------------------|------------------------|
| PROJECT NAME: | WOODSTOCK VILLAGE |
| PROJECT NUMBER: | BF 020-2(43) |
| FILE NAME: | I3J280/si3J280rail.dgn |
| PROJECT LEADER: | R.YOUNG |
| DESIGNED BY: | W.LAMMER |
| LEFT RAILING PROFILE | |
| PLOT DATE: | 18-JUL-2017 |
| DRAWN BY: | D.D.BEARD |
| CHECKED BY: | W.LAMMER |
| SHEET | 17 OF 53 |