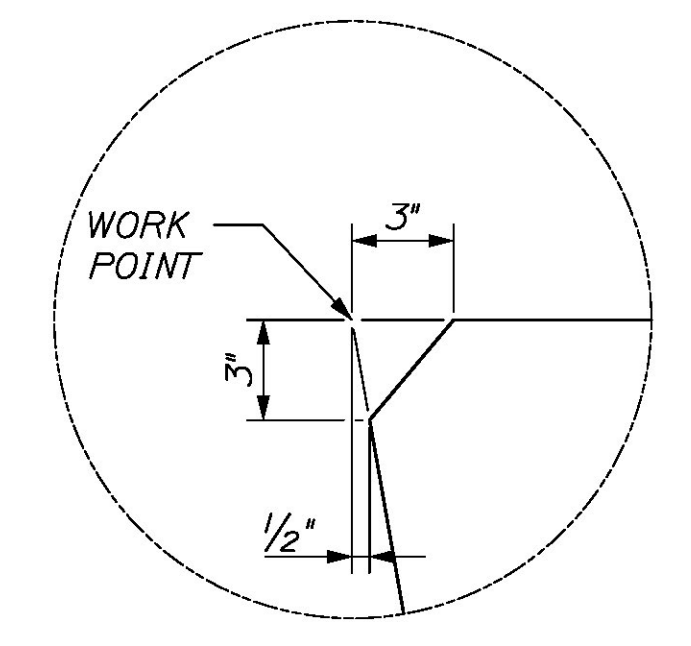
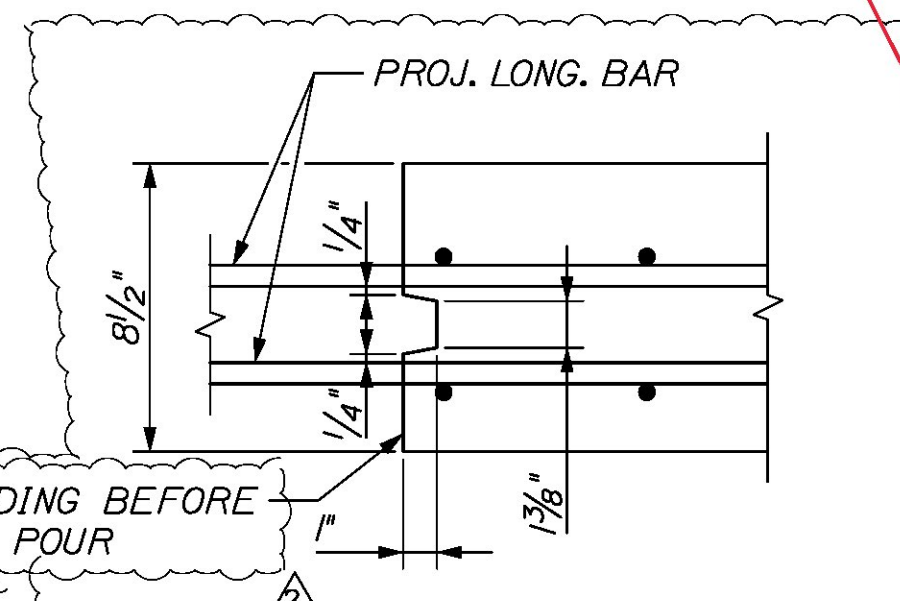
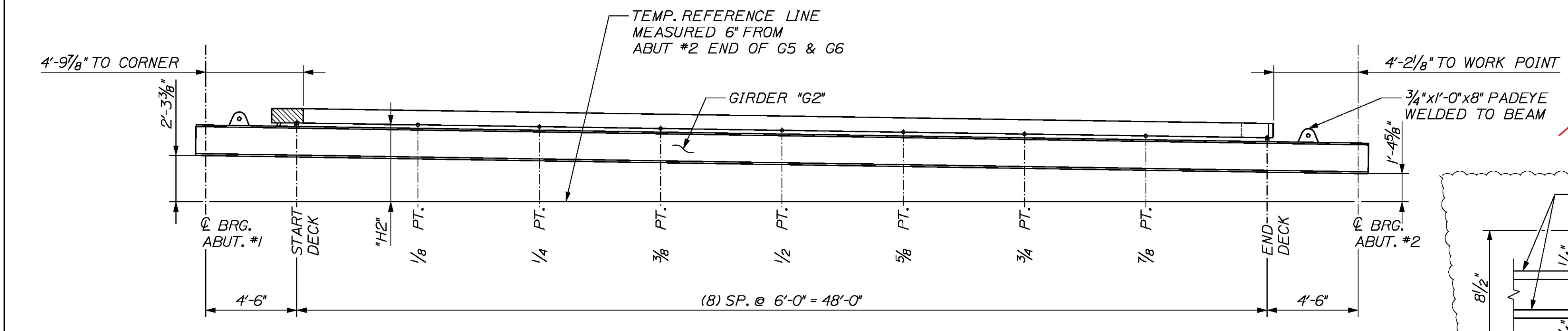


DECK CROSS SLOPE TABLE

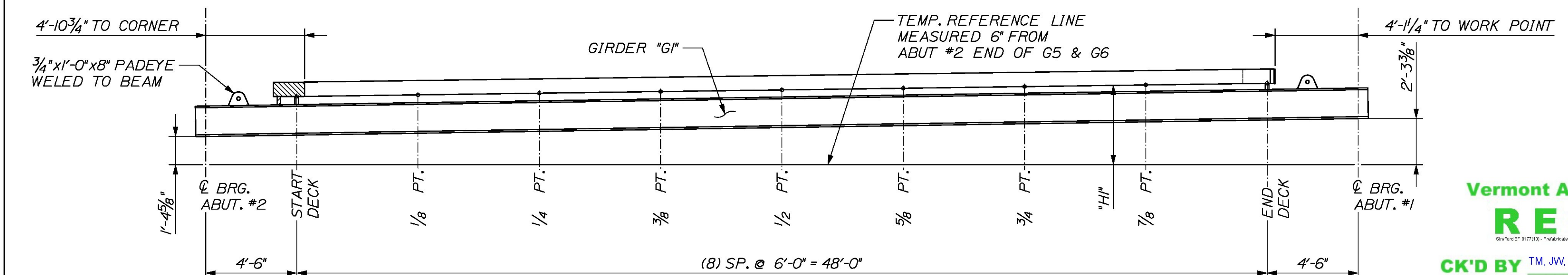
SECTION	"A"	"B"
1	5/16"	3/16"
2	3/8"	3/4"
3	3/8"	3/16"
4	3/8"	3/16"
5	7/16"	3/16"
6	7/16"	3/8"
7	7/16"	4"
8	7/16"	4/8"
9	1/2"	4/16"
10	1/2"	4/16"



DESIGN NOTES:
 CONCRETE f'c @ FINAL = 4,000 PSI
 f'c @ LIFTING = 4,000 PSI
 FINISH -
 TOP - SMOOTH TROWEL U.N.O.
 SIDES - FORM FINISH
 BOTTOM - FORM FINISH
 (1) PBU-1 REQ'D APPROX. WT - 34.8 TONS

BQT. OF DECK SLAB TABLE - PBU-1

LOCATION	"H1"	"H2"
START DECK	3'-5 3/8"	3'-11 1/2"
1/8 POINT	3'-7 1/4"	3'-11 3/8"
1/4 POINT	3'-9"	3'-11"
3/8 POINT	3'-10 1/2"	3'-10 3/8"
1/2 POINT	3'-11 3/8"	3'-9 3/8"
5/8 POINT	4'-1/2"	3'-8 1/8"
3/4 POINT	4'-1 1/8"	3'-6 3/8"
7/8 POINT	4'-1 1/2"	3'-4 3/8"
END DECK	4'-1 3/8"	3'-2 3/4"



BILL OF MATERIALS FOR PBU-1

ITEM #	QTY	TOTAL	DESCRIPTION
1	1	1	STEEL ASSEMBLY ~ GIRDERS "G1" & "G2"
2	13.5 CY	13.5 CY	VAOT/CLASS "A" CONCRETE
3	4	4	3/4" x 8" x 1'-0" STEEL PADEYE WELDED TO GIRDER

Vermont Agency of Transportation
RECEIVED
 CK'D BY TM, JW, NVDB, KM, RK OK'D BY JG
 April 12, 2017
 RESUBMIT No Approved AsNoted
 BY K. Higgins DATE 04/13/17

This information is unnecessary as Beam Profiles will need to be submitted prior to forming.

CALDERWOOD ENGINEERING, ETC.
 STRUCTURAL ENGINEERING • DETAILING SERVICES
 222 RIVER RD., RICHMOND, ME 04357 PH/FX (207) 737-2007 / 737-2008
 PREPARED FOR: MILLER CONSTRUCTION
 STRAFFORD BF 01777(10)

STATE OF VERMONT
 NO. 8717
 LICENSED PROFESSIONAL ENGINEER

DATE	BY	REVISIONS
JAN 2017	ETC	DESIGN-DETAILED
		CHECKED-REVIEWED
		REVISIONS 1
		REVISIONS 2
		REVISIONS 3
		REVISIONS 4
		FIELD CHANGES

STRAFFORD VERMONT
 ABUTMENT SHOP DETAILS
 PBU-1 DIMENSIONAL DETAILS

SHEET NUMBER
 2