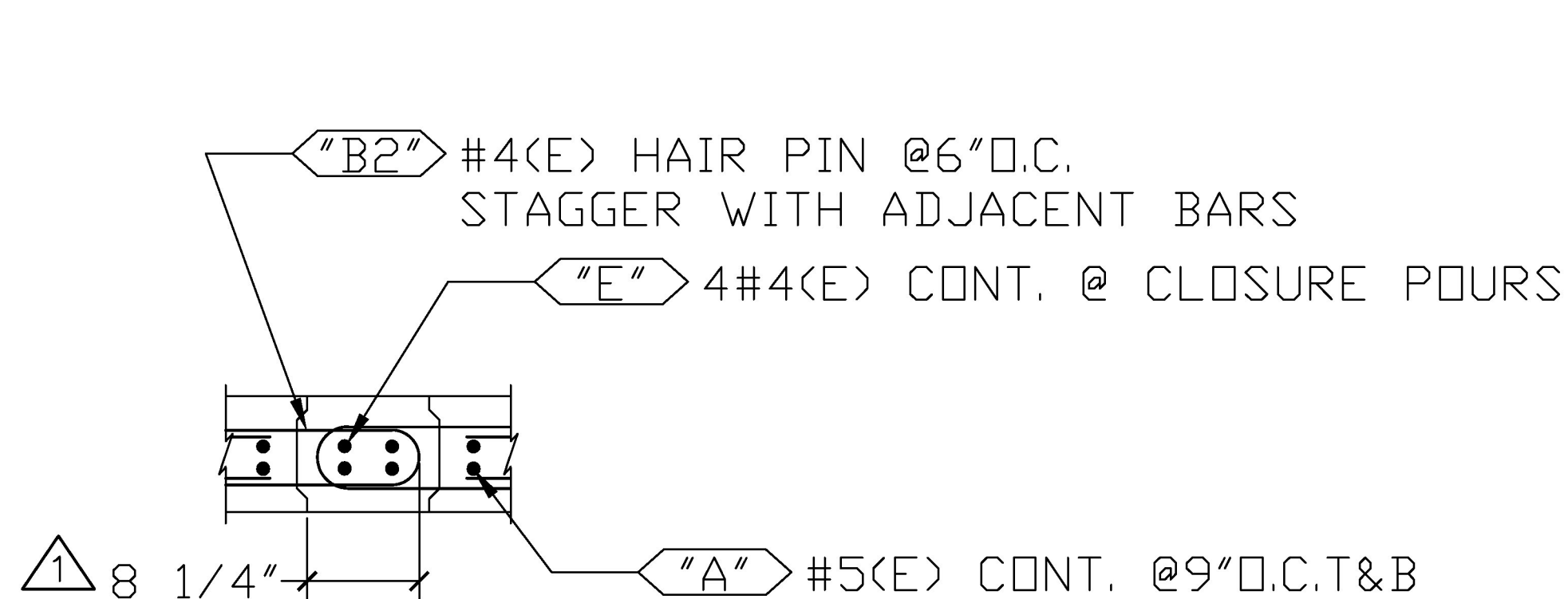
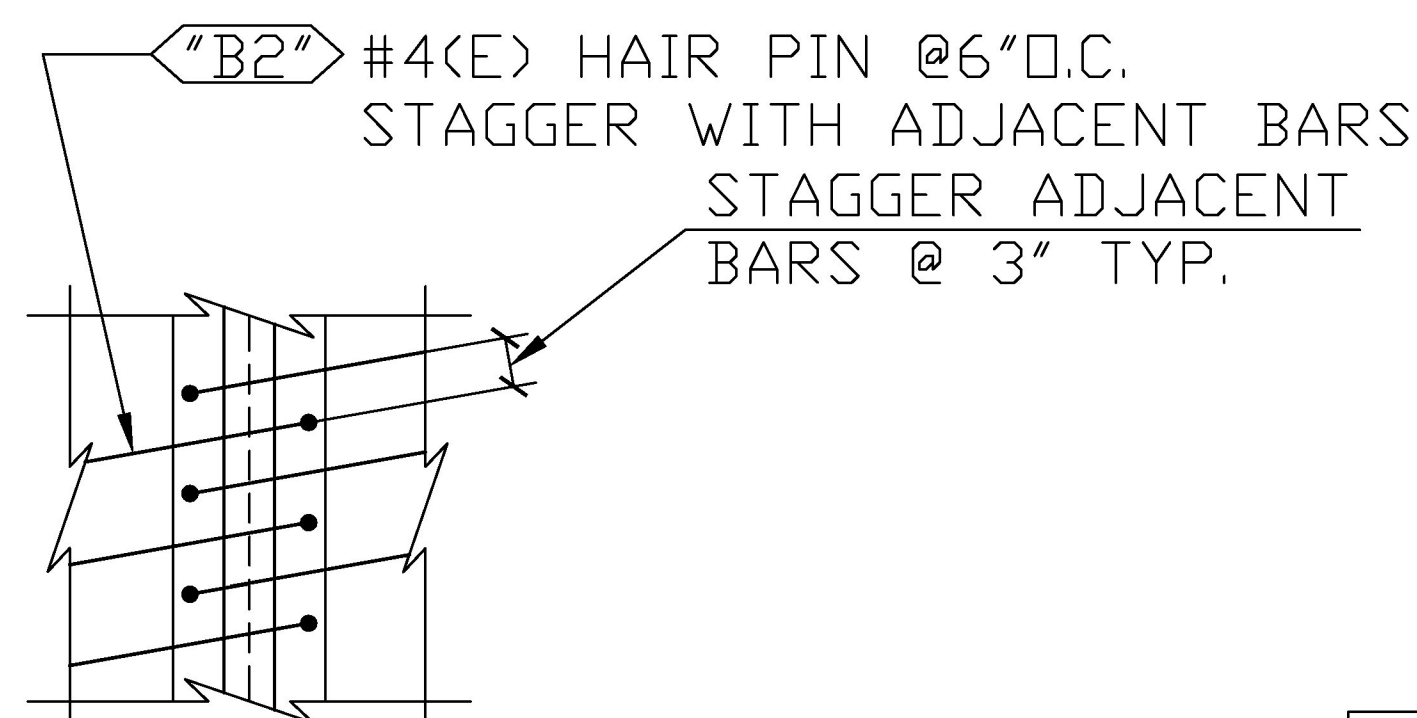


BRIDGE TYPICAL SECTION
 CONTRACT DWG. REF. 24 OF 52 & 25 OF 32



CONNECTION DETAIL SECTION
 CONTRACT DWG. REF. 25 OF 52



CONNECTION DETAIL PLAN
 CONTRACT DWG. REF. 25 OF 52

FOR APPROVAL

WORK THIS DRAWING WITH
 DRAWINGS L & L2

EPOXY REINF. BARS ASTM A615
 GRADE 60, MARKED (E).
 EPOXY COATING TO MEET AASHTO
 M284/ASTM A775.

REINF. BARS ASTM A615 GRADE 60

VERIFICATION OF UNCLEAR INFORMATION
 MAY BE REQUESTED ON THIS DRAWING.
 SHOULD VERIFICATION BE LEFT
 UN-ADDRESSED IT WILL REMAIN AS
 SHOWN AND ASSUME TO BE CORRECT.

LEGEND:

CONT.-CONTINUOUS	E.E.-EACH END
TRANS.-TRANSVERSE	E.F.-EACH FACE
DWLS.-DOWELS	N.F.-NEAR FACE
VERTS.-VERTICAL	F.F.-FAR FACE
HORIZ.-HORIZONTAL	E.W.-EACH WAY
T&B -TOP & BOTTOM	O.C.-ON CENTER
I.F.-INNER FACE	L.W.-LONG WAY
O.F.-OUTER FACE	S.W.-SHORT WAY

ELEVATIONS & DIMENSIONS SHOWN
 ON THIS DWG. ARE FOR REINF.
 DETAILING PURPOSES ONLY AND ARE
 NOT INTENDED FOR DIMENSIONAL
 CONSTRUCTION.

6			
5	4/4/17	2	REVISED PER APPROVAL / FOR APPROVAL
4	3/9/17	1	REVISED PER APPROVAL / FOR APPROVAL
3	1/24/17	-	NO CHANGE / FOR APPROVAL
2	1/4/17	-	FOR APPROVAL
1	12/16/16	-	FOR APPROVAL
	DATE	REV.#	SENT FOR
DIMENSION DIMENSION FABRICATORS INC. www.dimensionfabricators.com 2000 7TH STREET SCOTIA, N.Y. 12302 PH: (518) 374-1936 FAX (518) 374-4830			
STRUCTURE	VTAOT STRAFFORD BF0177(10)		
LOCATION	TOWN OF STRAFFORD, ORANGE COUNTY, VT		
ARCHITECT			
ENGINEER			
CUSTOMER	MILLER CONSTRUCTION		
DRAWN BY	DATE	DFI #	
CMB	12/14/16	10098	
DRAWING COVERS		DRAWING #	
DECK SLAB PBU"s		L1	

Vermont Agency of Transportation
RECEIVED

CK'D BY TM, JW, NVDB, KM, RK OK'D BY JG

April 12, 2017

RESUBMIT No Approved

BY K. Higgins DATE 04/13/17