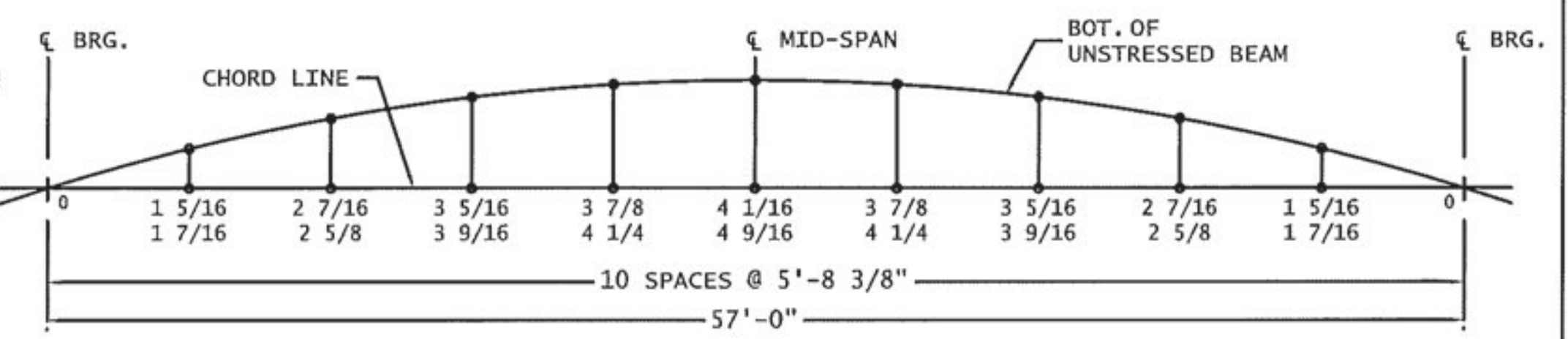


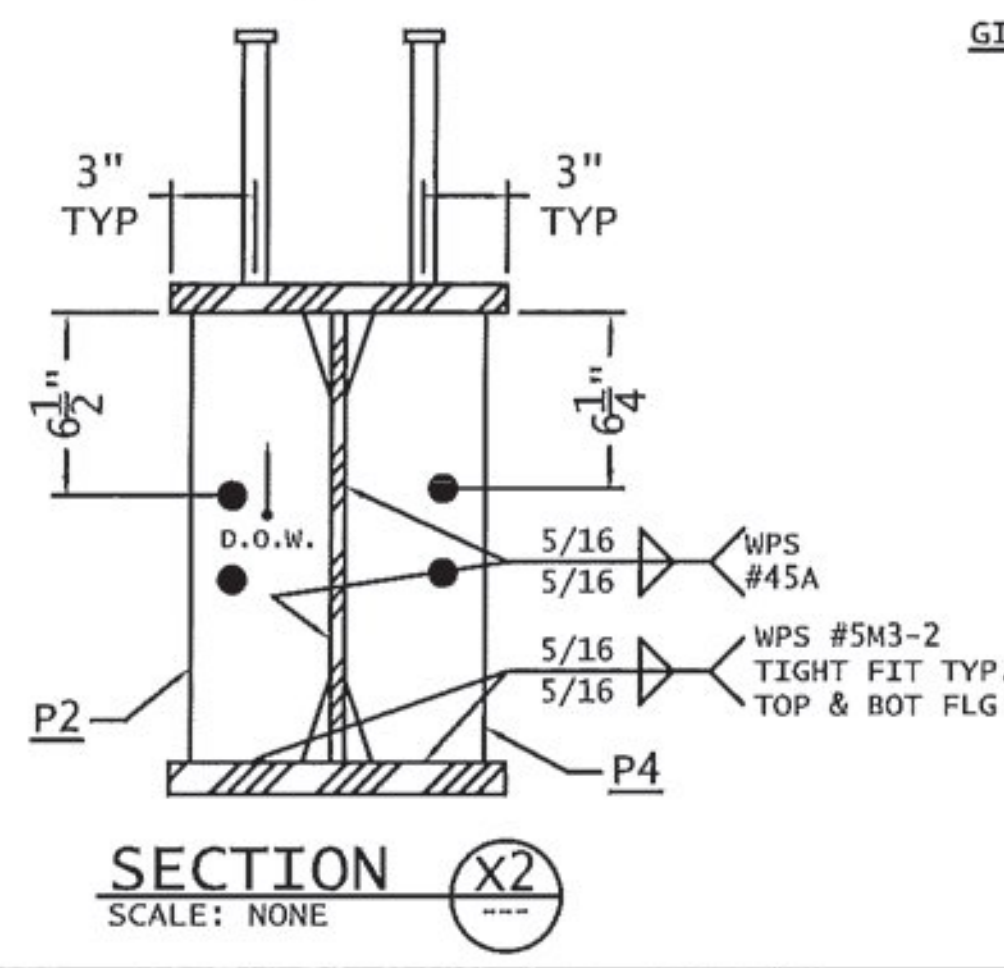
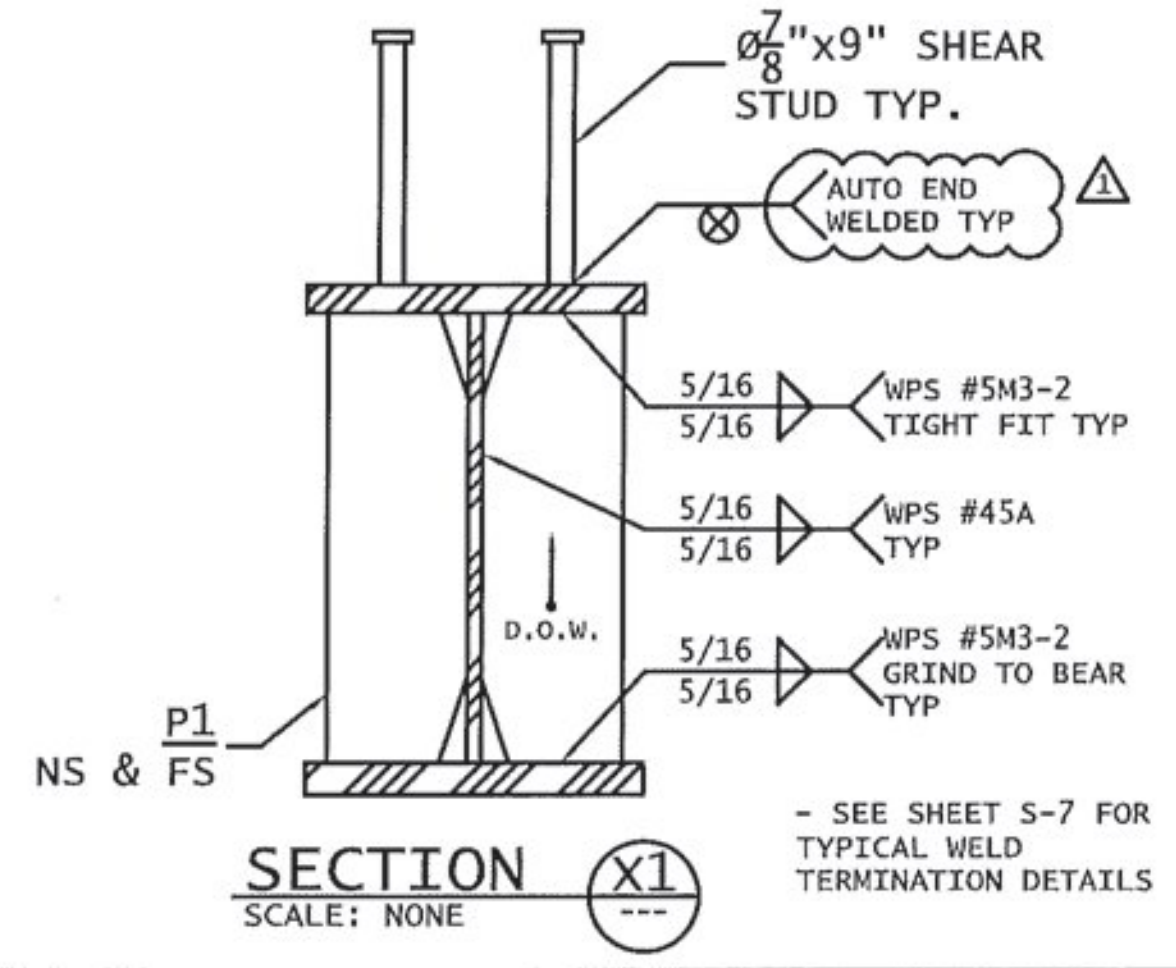
Vermont Agency of Transportation
RECEIVED
 CK'D BY RSF, TAM OK'D BY JDG
 February 9, 2017
 RESUBMIT No Approved
 BY Kristin Higgins DATE 2/14/2017

THE TWO CAMBER DIMENSIONS REPRESENT THE FOLLOWING:
 -TOP DIMENSION = TOTAL CAMBER IN FINISHED BEAM
 -BOTTOM DIMENSION = TOTAL CAMBER @ TIME OF FABRICATION



GIRDERS G1 - G6 CAMBER DIAGRAM
 UNITS IN INCHES

BILL OF MATERIALS									
SHIP MARK	SHIP QTY	PIECE MARK	PC. QTY	DESCRIPTION	LENGTH		WT. lbs. ea.	WT. lbs. tot.	MAT'L
					Ft.	In.			
G3	1			GIRDER ASSEMBLY	58	13/16	6746.9	6746.9	
		WP3	1	PL 1/2 " x 16 "	58	13/16	1580.4	1580.4	CVN
		TF3	1	PL 1 " x 12 "	58	9/16	2369.7	2369.7	CVN
		BF3	1	PL 1 1/8 " x 12 "	58	9/16	2665.9	2665.9	CVN
		P1	4	PL 1/2 " x 5 "	1	4	10.9	43.6	
		P2	4	PL 1/2 " x 5 "	1	4	10.9	43.6	
		P4	4	PL 1/2 " x 5 "	1	4	10.9	43.6	
			138	7/8" DIA. SHEAR STUD	0	9			
TOTAL WEIGHT =							6746.9		



FINISH: HOT-DIP GALVANIZED		
MATERIAL: AASHTO M270 GR.50		
HOLES: 1/16" U.N.O		
ELECTRODES: PER WELD PROCEDURE	REVISED PER REVIEWER COMMENTS	1/6/17
WELDS: PER WELD PROCEDURE	ISSUED FOR APPROVAL	12/6/16
SURFACE PREP: SSPC-SP6	No.	Revision
Date		
Fabricator: ARC ENTERPRISES INC.	Detailer: DRAFTWORKS DETAILING 11 CHESTNUT ST. AMESBURY, MA	
Job Number: 16-181	SHOP DRAWING GIRDER G3 DETAILS	Sheet No: 5 OF 10
Original Submittal Date: 12/6/16	VTRANS, STRAFFORD VT BRIDGE REPLACEMENT PROJ# BF 0177 (10)	Drawing No: S-3
Drawn By: DAP	Checked By: BLB	QC: MILLER CONSTRUCTION