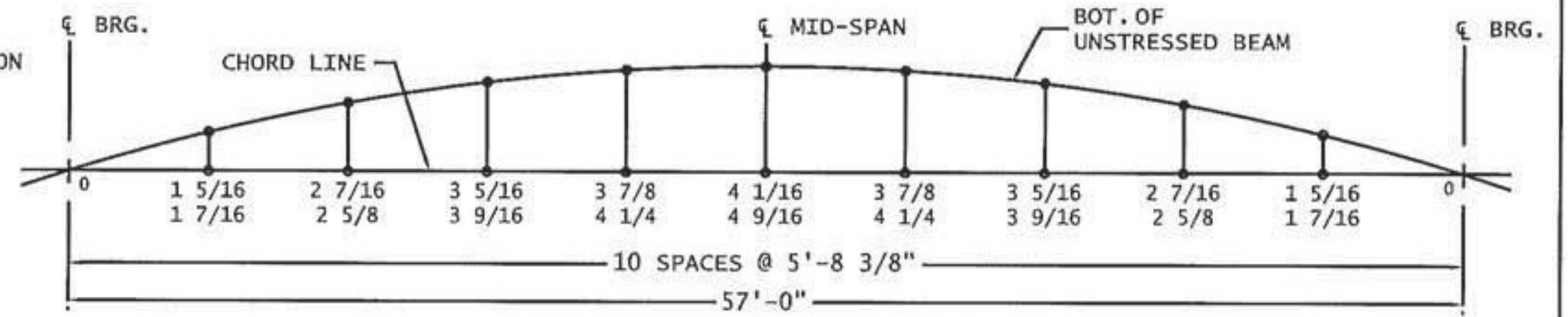


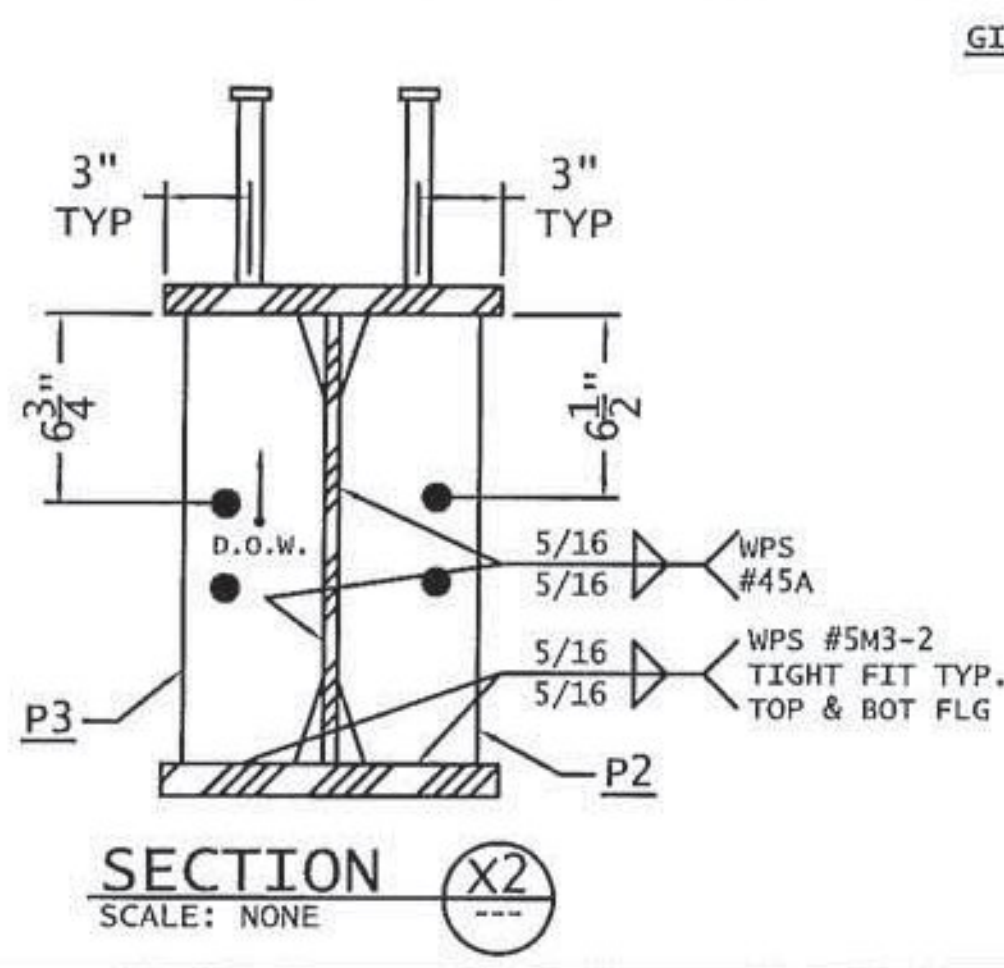
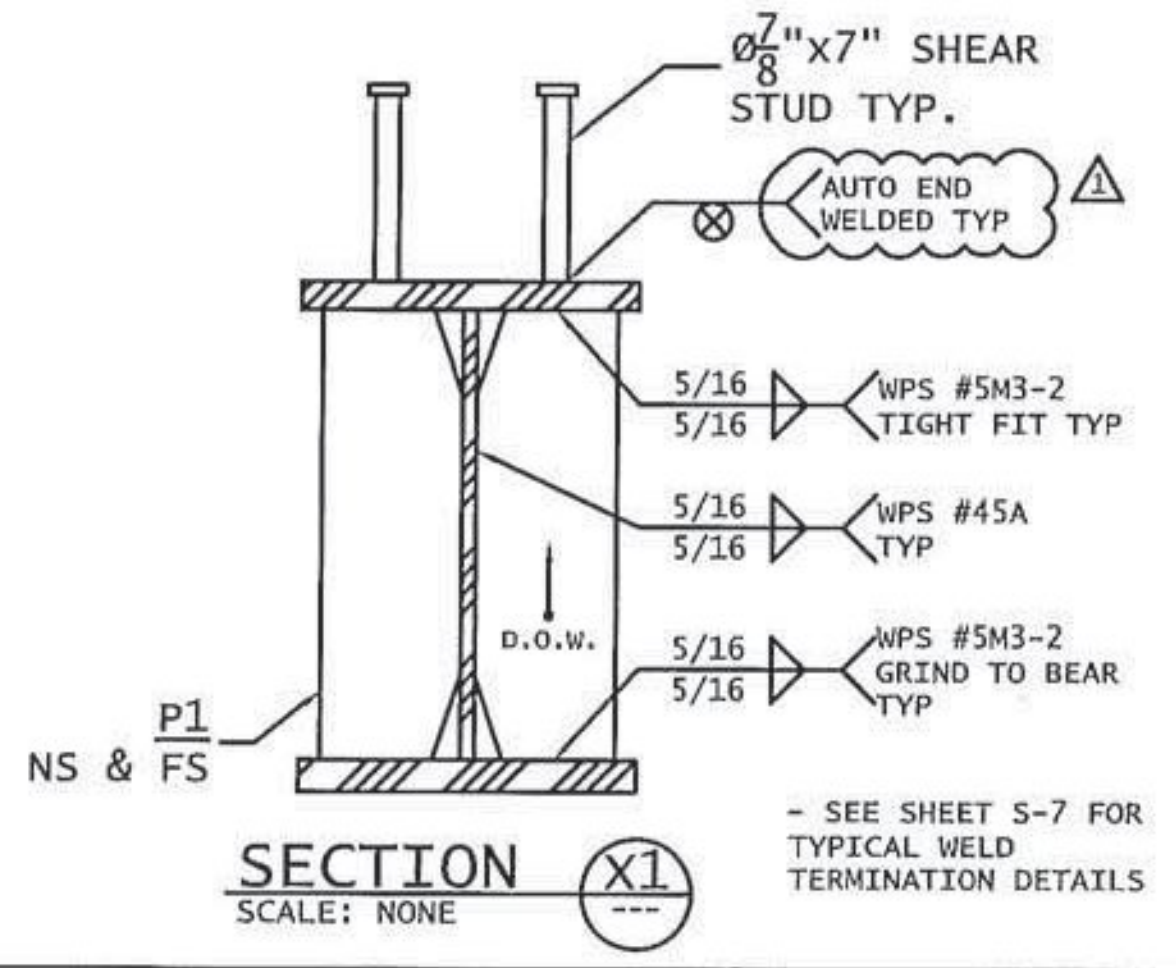
Vermont Agency of Transportation
RECEIVED
 CK'D BY RSF, TAM OK'D BY JDG
 February 9, 2017
 RESUBMIT No Approved
 BY Kristin Higgins DATE 2/14/2017

THE TWO CAMBER DIMENSIONS REPRESENT THE FOLLOWING:
 -TOP DIMENSION = TOTAL CAMBER IN FINISHED BEAM
 -BOTTOM DIMENSION = TOTAL CAMBER @ TIME OF FABRICATION



GIRDERS G1 - G6 CAMBER DIAGRAM
 UNITS IN INCHES

BILL OF MATERIALS									
SHIP MARK	SHIP QTY	PIECE MARK	PC. QTY	DESCRIPTION	LENGTH		WT. lbs. ea.	WT. lbs. tot.	MAT'L
					Ft.	In.			
G4	1			GIRDER ASSEMBLY	58	13/16	6746.9	6746.9	
		WP4	1	PL 1/2 " x 16	58	13/16	1580.4	1580.4	CVN
		TF4	1	PL 1/2 " x 12	58	9/16	2369.7	2369.7	CVN
		BF4	1	PL 1/8 " x 12	58	9/16	2665.9	2665.9	CVN
		P1	4	PL 1/2 " x 5	1	4	10.9	43.6	
		P2	4	PL 1/2 " x 5	1	4	10.9	43.6	
		P3	4	PL 1/2 " x 5	1	4	10.9	43.6	
			138	7/8" DIA. SHEAR STUD	0	7			
TOTAL WEIGHT =							6746.9		



FINISH:	HOT-DIP GALVANIZED		
MATERIAL:	AASHTO M270 GR.50		
HOLES:	Ø 1 1/8" U.N.O		
ELECTRODES:	PER WELD PROCEDURE	REVISOR	1/6/17
WELDS:	PER WELD PROCEDURE	ISSUED FOR APPROVAL	12/6/16
SURFACE PREP:	SSPC-SP6	No.	Revision
Author:	ARC ENTERPRISES INC.	Detailer:	DRAFTWORKS DETAILING 11 CHESTNUT ST. AMESBURY, MA
Job Number:	16-181	Shop Drawing:	GIRDER G4 DETAILS
Original Submittal Date:	12/6/16	Sheet No.:	6 OF 10
Drawn By:	DAP	Checked By:	BLB
		Contractor:	MILLER CONSTRUCTION
			S-4