

CORAC

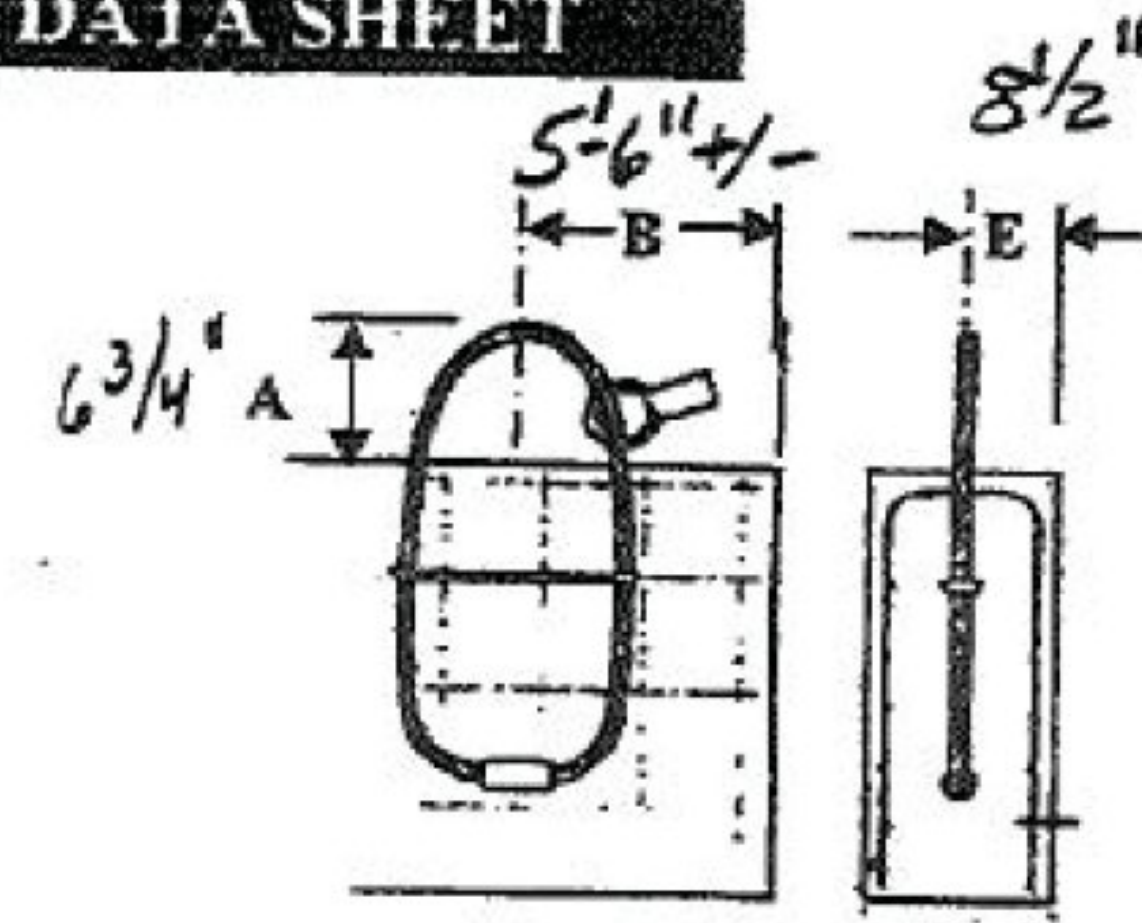
WIRE ROPE ANCHORS - DATA SHEET

Clearances - Projected Installation			Parallel Installation		Transverse Install'n	
Anchor Part No.	Suggested Projection A [in]	Min End Distance B [in]	Edge Dist. at 2,200 psi E ₂₂ [in]	Edge Dist. at 4,500 psi E ₄₅ [in]	Edge Dist. at 2,200 psi F ₂₂ [in]	Edge Dist. at 4,500 psi F ₄₅ [in]
WRA 008	2-3/8	10-1/2	1-1/2	1-1/4	2-5/8	2-5/8
WRA 012	2-1/2	12	1-3/4	1-1/2	2-3/4	2-3/4
WRA 016	2-3/4	13-3/4	2-3/8	1-3/4	3-3/8	3-3/8
WRA 020	3-1/8	16-1/2	2-3/4	2	3-1/2	3-1/2
WRA 025	3-3/8	17-3/4	3-1/8	2-1/8	3-5/8	3-5/8
WRA 038	4	19-1/2	4-3/8	3	4-3/8	4-3/8
WRA 050	4	20-1/2	5-3/4	4	5-3/4	4-3/8
WRA 063	4-1/2	22-3/4	6-1/4	4-3/8	6-1/4	5-3/8
WRA 080	5	25-1/2	7-7/8	5-1/2	7-7/8	5-1/2
WRA 099	5-1/2	28-3/4	8-3/4	6-1/8	8-3/4	6-1/8
WRA 120	6	31-3/4	11	7-5/8	11	7-5/8
WRA 160	6-3/4	36-1/2	12	8-1/2	12	8-1/2
WRA 180	7	41-3/4	13-3/8	9-3/8	13-3/8	9-3/8
WRA 250	8	47-1/2	14-3/4	10-1/2	14-3/4	10-1/2

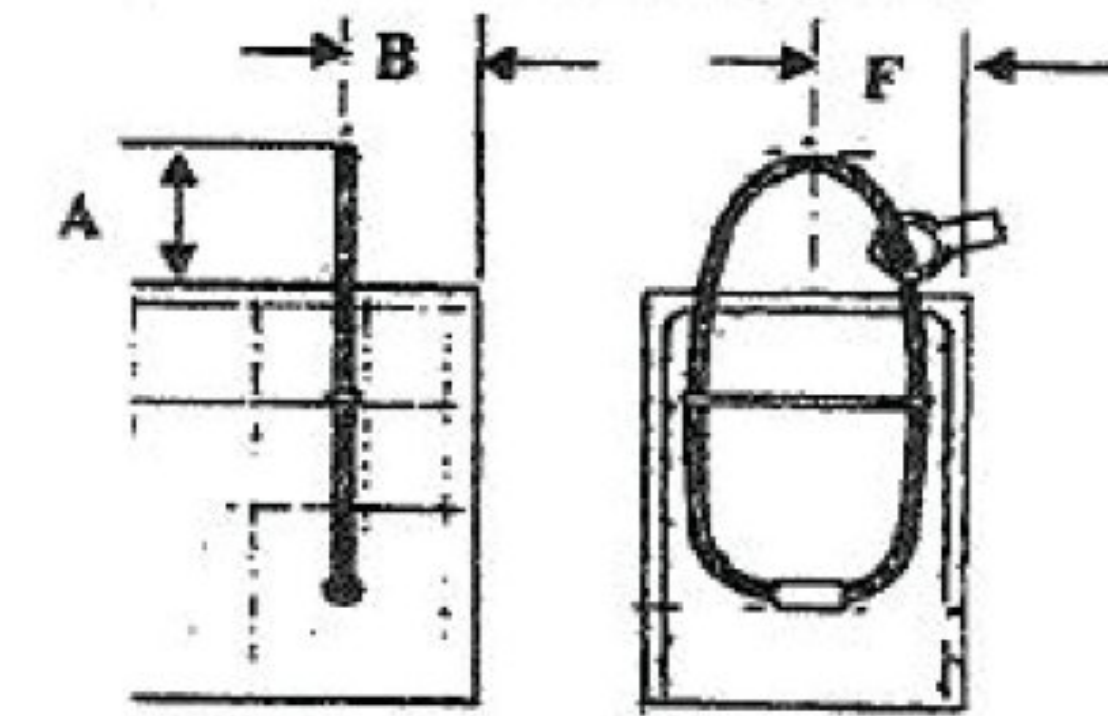
NOTE: Minimum spacing between adjacent anchors = 2 x B
 Minimum panel thickness = 2 x E for parallel installation.
 Minimum panel thickness = 2 x F for transverse installation.

Clearances - Recessed Installation			Parallel Installation		Transverse Install'n	
Anchor Part No.	Depth below surface G [in]	Min End Distance H [in]	Edge Dist. at 2,200 psi J ₂₂ [in]	Edge Dist. at 4,500 psi J ₄₅ [in]	Edge Dist. at 2,200 psi K ₂₂ [in]	Edge Dist. at 4,500 psi K ₄₅ [in]
WRA 020	9/16	23-1/2	1-3/4	1-1/2	3-3/8	3-3/8
WRA 038	9/16	29	3-1/8	2-1/8	4	4
WRA 063	11/16	33-1/2	4-3/4	3-3/8	5-3/8	5-3/8
WRA 099	1/2	42-1/2	7	5	7	6
WRA 160	1/2	53	9-1/2	6-5/8	9-1/2	7-1/8
WRA 250	1/2	67	12	8-1/2	12	8-5/8

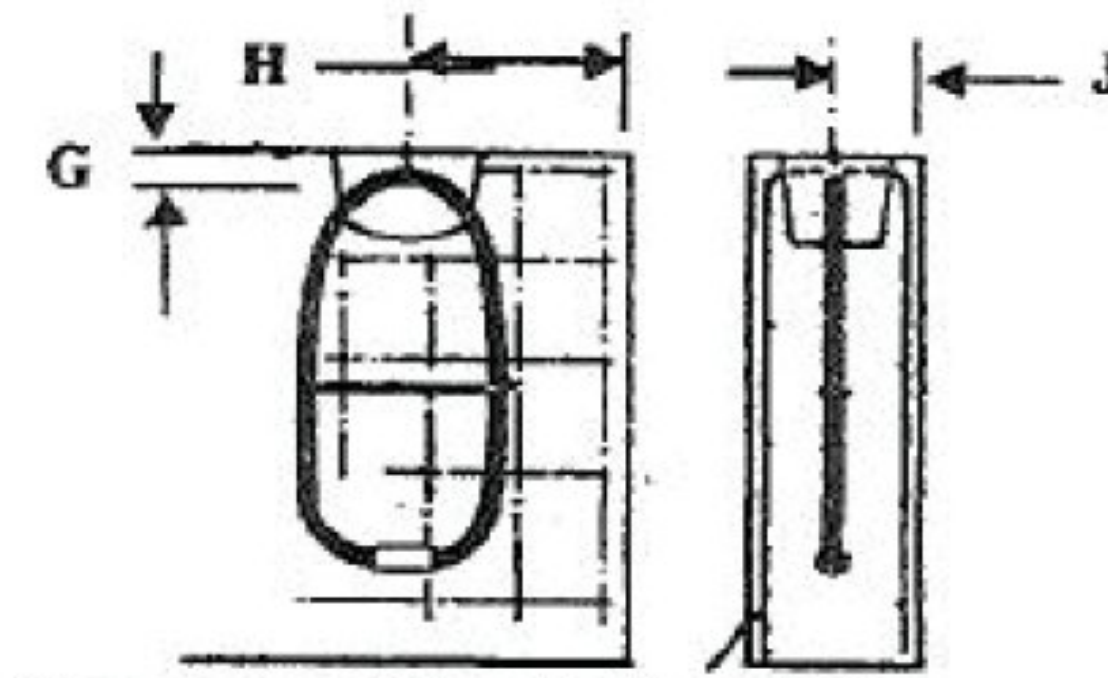
NOTE: Minimum spacing between adjacent anchors = 2 x H
 Minimum panel thickness = 2 x J for parallel installation.
 Minimum panel thickness = 2 x K for transverse installation.



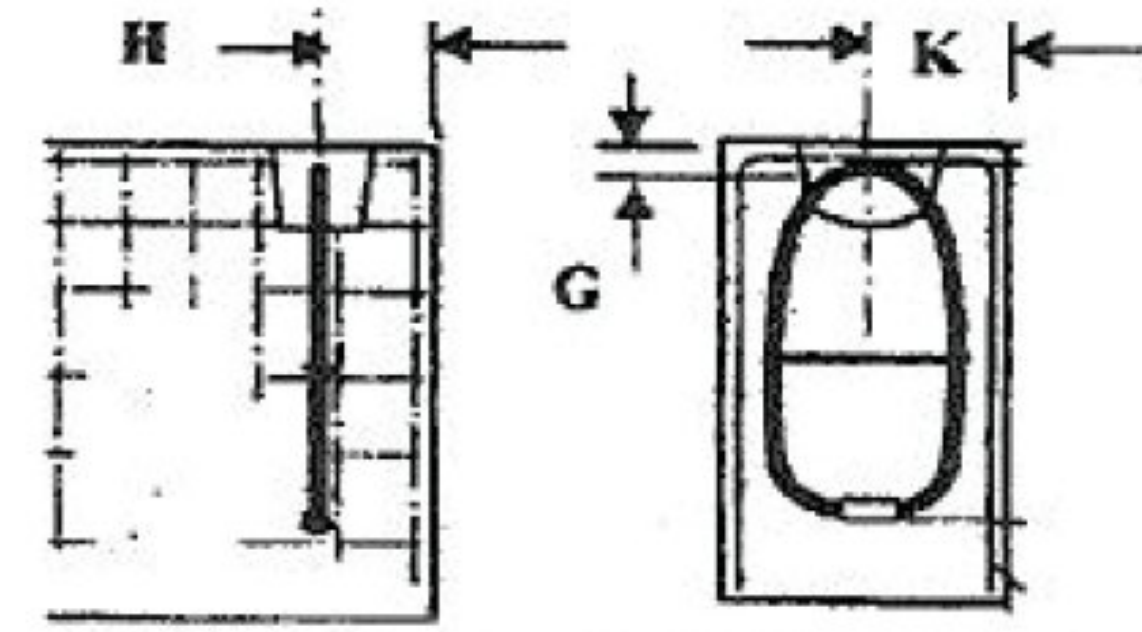
Projected and Parallel Installation



Projected and Transverse Installation



Recessed and Parallel Installation



Recessed and Transverse Installation

Vermont Agency of Transportation
RECEIVED
 CK'D BY: MOD, ALK/IN OK'D BY: JD
 March 21, 2017
 RESUBMIT No Approved
 BY: K. Hoggins DATE: 03/23/17