

# Swift Lift System



## P-74-S Pipe Laying Sling

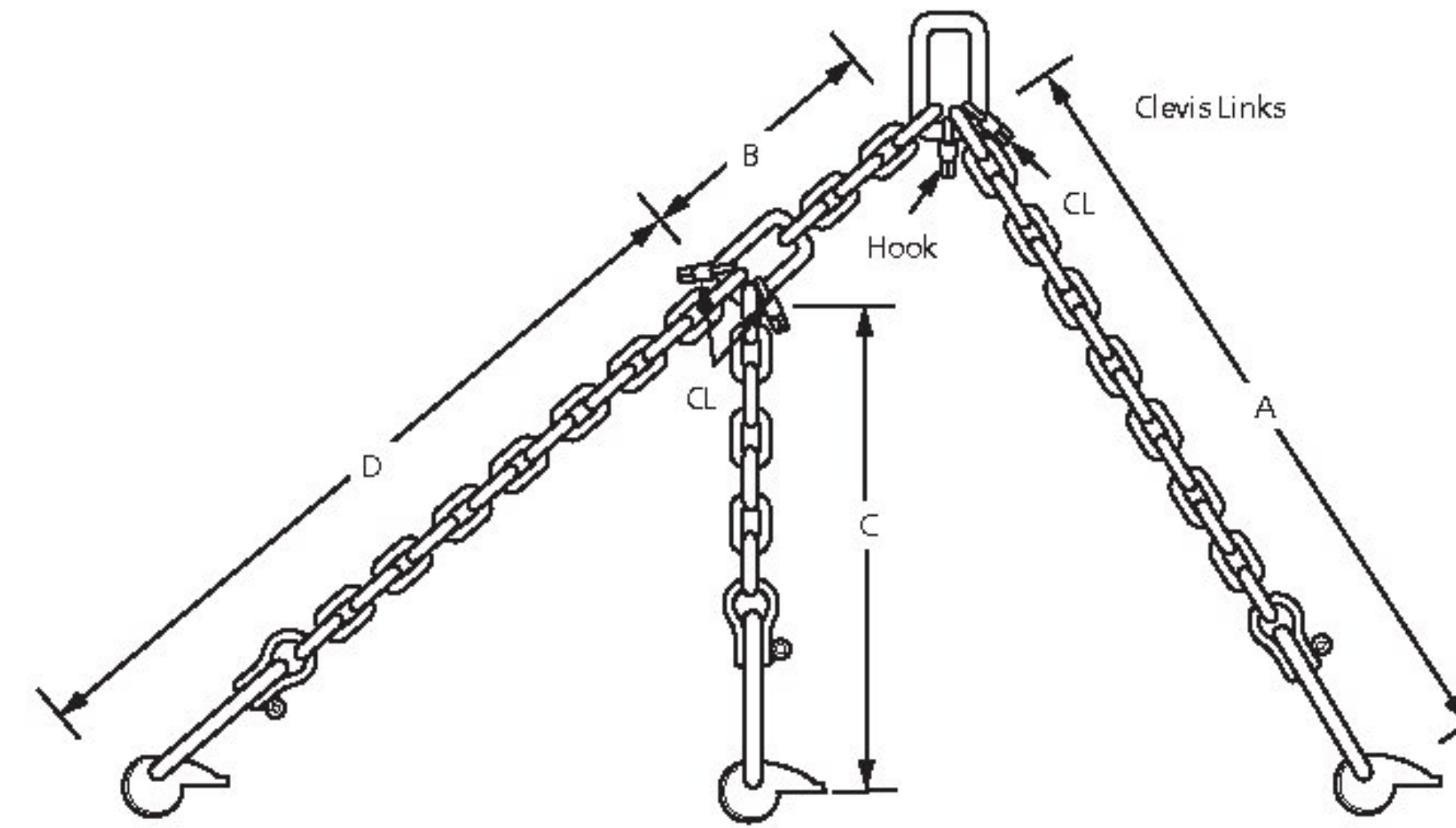
### Advantages

- Reduced construction time
- Reduced construction costs
- Improved safety

The Dayton Superior P-74-S Pipe Laying Slings have been designed to reduce the costs in lifting, transporting and laying precast concrete pipes. Substantial cost savings have been proven when compared to laying pipes by conventional methods.

P-74-S Pipe Laying Slings are available for use with 4-ton Swift Lift Anchors. They can be used to lift, transport, and lay precast concrete pipe.

Available as two different styles for laying 60" to 96" pipe and 96" to 138" pipe.



P-74-S Pipe Laying Sling

### To Order:

Specify: (1) quantity, (2) name, (3) style.

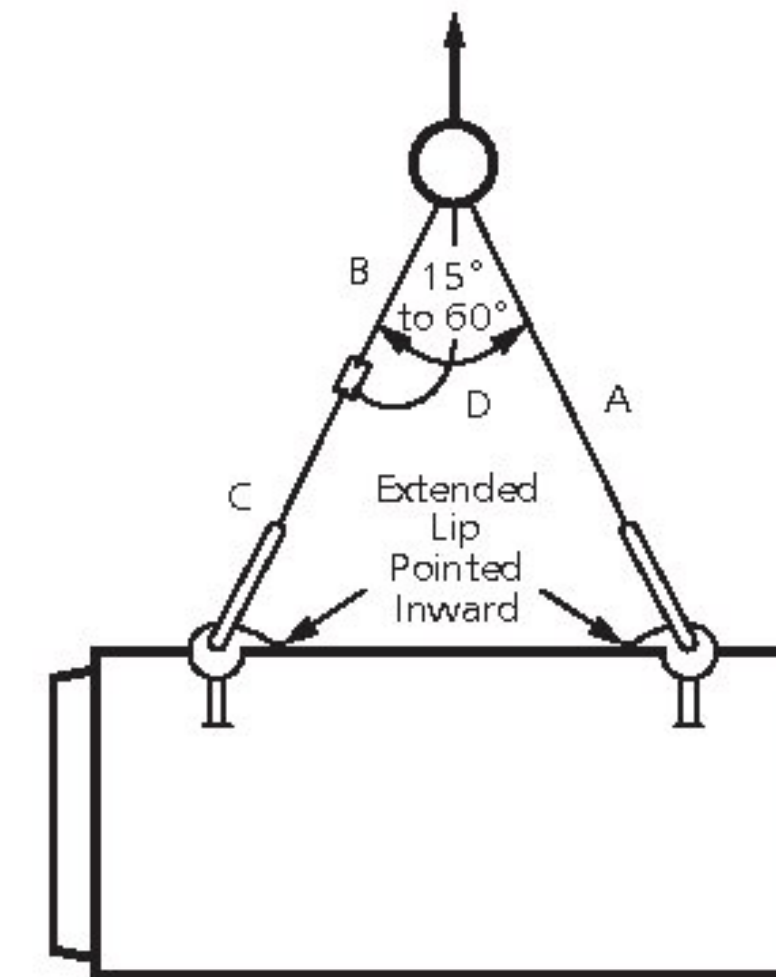
### Example:

4, P-74-S Pipe Laying Slings, Short Style.

## P-74-S Sling Dimensions and Proper Hardware Attachment

The Dayton Superior P-74-S Pipe Laying Sling is manufactured as a three-legged chain sling with three P-50 Universal Lifting Eyes and three clevis links to enable the chain lengths to be shortened, as needed. The clevis links are also used to hold the chains when they are not in use (when changing from symmetrical to asymmetrical operations).

The sling is so constructed that either a symmetrical or asymmetrical lifting sling can be made.



Pipe Lengths	Sling Style	A	B	C	D
60" to 96"	Short	57"	16"	41"	76"
96" to 138"	Long	75"	24"	51"	110"

Vermont Agency of Transportation  
**RECEIVED**  
 CK'D BY NVDB, JW, KM, TM OK'D BY JG  
 March 21, 2017  
 RESUBMIT No Approved  
 BY K. Higgins DATE 03/23/17