

P-74 Pipe Turning System

The Dayton Superior P-74 Pipe Turning System has been designed to reduce the costs in lifting, transporting and laying precast concrete pipes. Substantial cost savings have been proven when compared to laying pipes by conventional methods.

A significant advantage, when using this system, is that there are no holes to be filled. This eliminates the potential for poor quality hole filling and results in a consistent high quality, leak-free pipe.

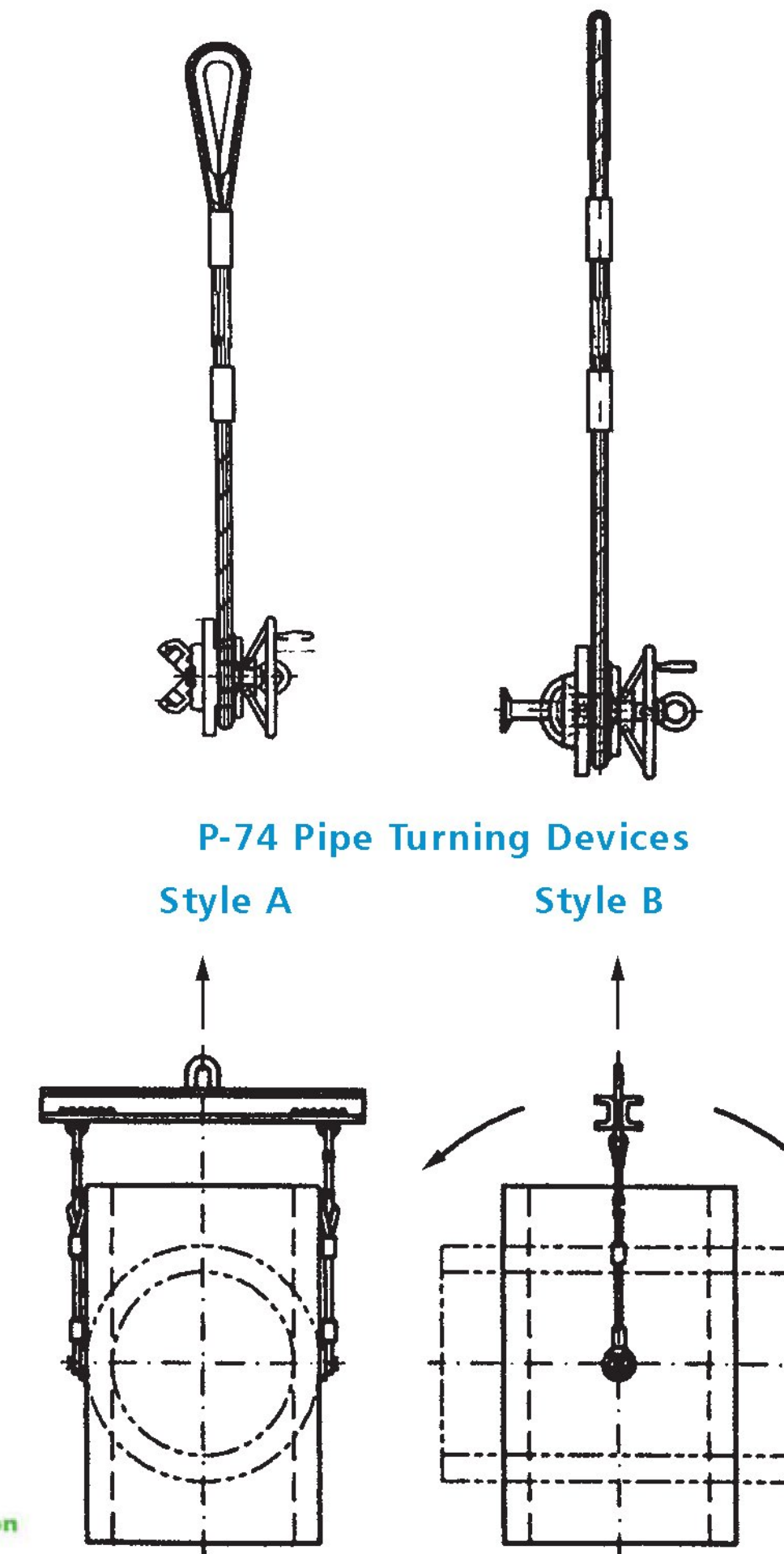
The Dayton Superior Pipe Turning System consists of two P-74 Pipe Turning Devices and two P-52 Swift Lift Anchors. For proper operation, the Swift Lift Anchors must be installed at the center of gravity of the precast element.

P-74 Pipe Turning Devices are available for use with 4, 8 or 20-ton Swift Lift Anchors. They can be used to lift, transport, turn or install precast concrete elements.

Turning and Lifting – The cables are only to be hoisted vertically; deviation from the vertical should not exceed $< 5^\circ$. Bending loading to the cables or to the cable-end fastening is not permitted.

Available as two different styles: Style A and Style B. Style A has the wire rope thimble installed parallel with the center line of the Swift Lift Anchor while Style B has the wire rope thimble installed at 90° to the center line of the anchor.

To Order:
Specify: (1) quantity, (2) name, (3) style.
Example:
4, P-74 Pipe Turning Devices, Style B.



P-74 Pipe Turning Devices
Style A Style B



P-74 Installation Instructions

The Dayton Superior P-74 Pipe Turning Device must be greased before its first use.

To attach the Pipe Turning Device, push the jaws over the head of the Swift Lift Anchor as the hand wheel is turned, the jaws are pulled into the pressure plate and they are securely clamped around the head of the anchor.

The pressure plate should now be tight against the face of the precast concrete element. For precast concrete pipes, it is sufficient that the pressure plate be tight against the crown of the pipe.

The hand wheel DOES NOT require the use of force to clamp the jaws onto the head of the anchor. Once the jaws are clamped into position, the safety bore-hole should be visible outside the hand wheel.

In order to guarantee proper operation, the faces of both jaws must be clean and free of any dirt or debris.

DO NOT attempt to lift and rotate a precast concrete element unless the above instructions have been completed.

To remove the unit from the precast pipe, back off the hand wheel until the jaws are released from the head of the anchor.

The parts that make up this product are subject to a certain amount of wear and damage. The user must ensure that a qualified person inspects the P-74 Pipe Turning Device, before it is used each day. Clean and grease the unit after every 100 uses.

Worn and/or damaged parts are to be replaced by NEW parts supplied by Dayton Superior. For assistance in determining proper maintenance and inspection, contact the nearest Dayton Superior Technical Services office.

