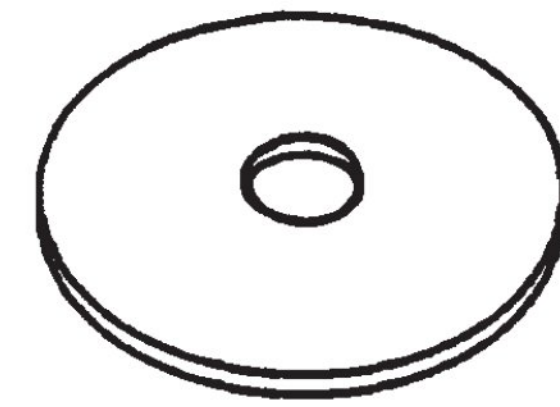
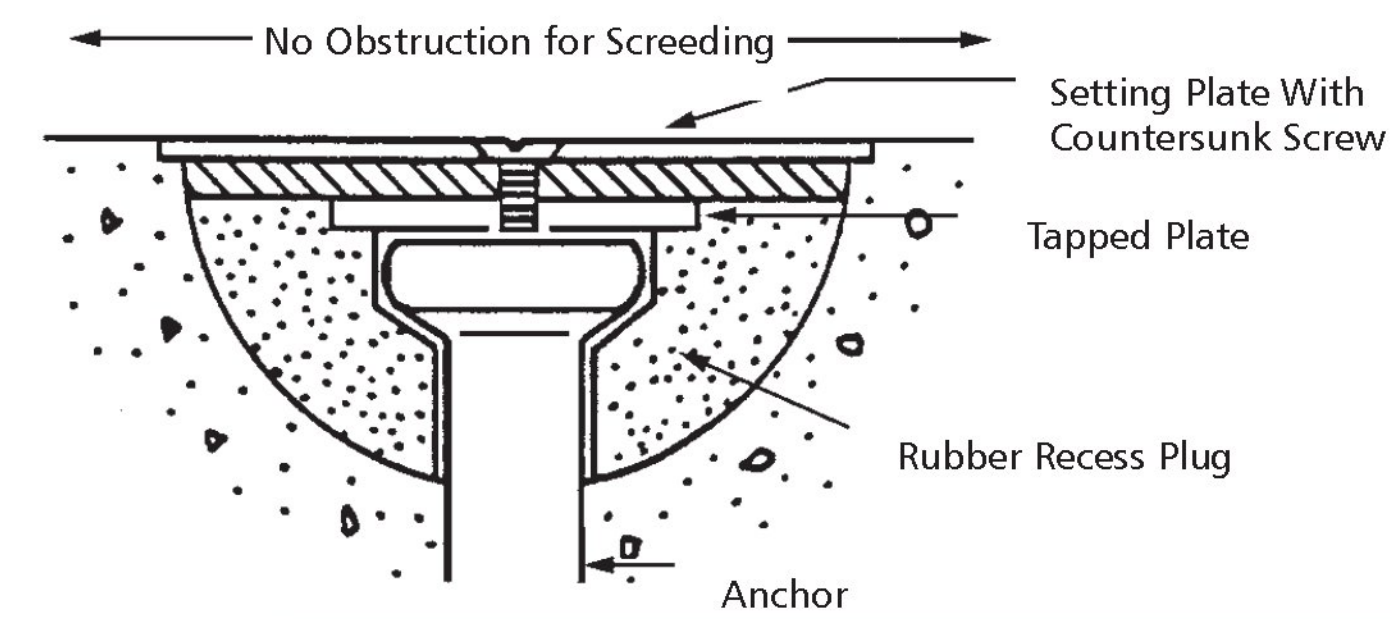


P-61 Swift Lift Setting Plate, P-62 Countersunk Screw

The Dayton Superior P-61 Swift Lift Setting Plate and P-62 Countersunk Screw combination provide an easy method of placing a Swift Lift Anchor into the surface of a flat panel without obstructing the screeding process. The P-61 setting plate is available in two sizes, a 4" unit for use with 4-ton anchors and a 5" unit for use with 8-ton anchors. The P-62 screw is available in two sizes to match the setting plates. The 4-ton setup uses a 3/4" long, 5/16" – 18 NC thread screw and the 8-ton setup uses a 3/4" long, 7/16" – 14 NC thread screw.



P-61 Swift Lift Setting Plate



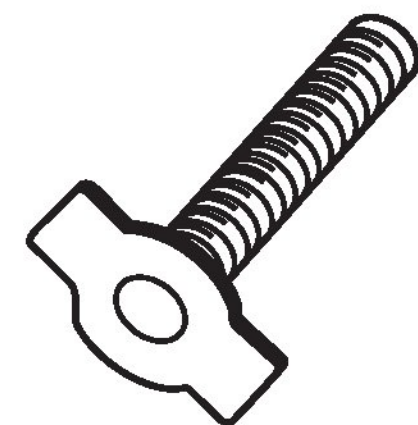
P-62 Swift Lift Countersunk Screw

To Order:
Specify: (1) quantity, (2) name, (3) anchor size.

Example:
200, P-61 Swift Lift Setting Plates and 200, P-62 Countersunk Screws for 4-ton anchors.

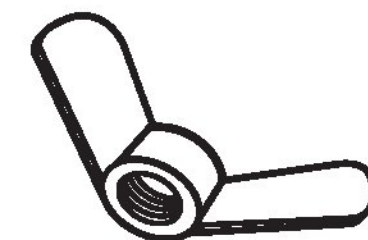
P-63 Swift Lift Stud, P-64 Swift Lift Wing Nut

The Dayton Superior P-63 Swift Lift Stud and P-64 Wing Nut combination is used to set P-56 Narrow Recess Plugs. Available in two sizes, 5/16" – 18 NC threads for use with the 1-ton anchor and 7/16" – 14 NC threads for use with 2, 4, 8 and 20-ton P-56 anchors.



P-63 Swift Lift Stud

Note: The P-63 Stud and P-64 Wing Nut are not interchangeable with the P-56-PL Recess Plug accessories.



P-64 Swift Lift Wing Nut

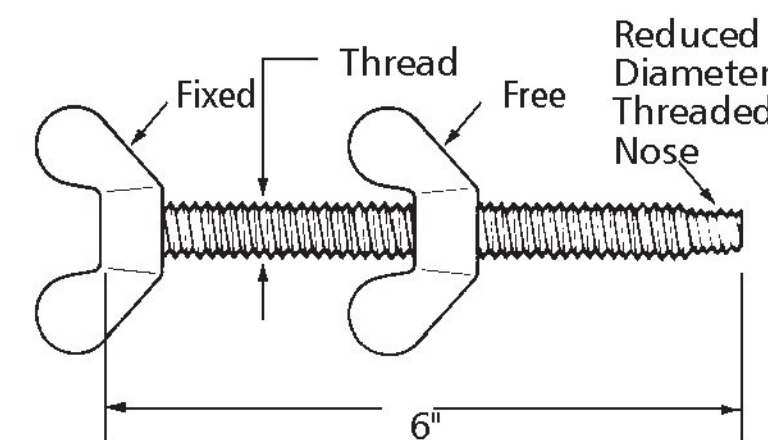
To Order:
Specify: 1) quantity, (2) name, (3) size.

Example:
200, P-63 Swift Lift Studs and 200 P-64 Swift Lift Wing Nuts, 7/16" dia.

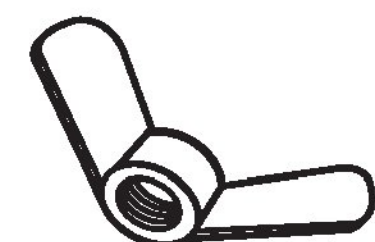
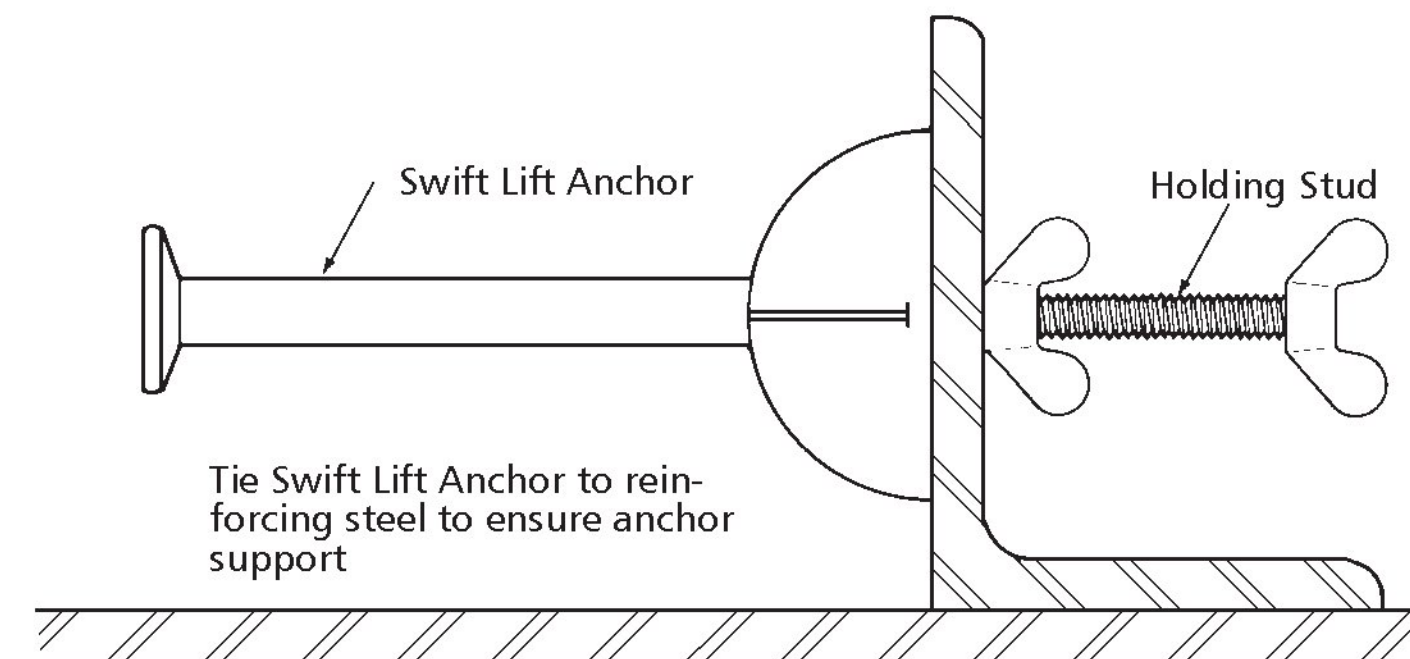
P-63-PL Swift Lift Plus Holding Stud, P-64-PL Swift Lift Plus Wing Nut

The Dayton Superior P-63-PL Swift Lift Plus Holding Stud is a 3/8" diameter, coil threaded stud with a fixed wing nut and a free-running wing nut used with the P-66-PL threaded plate to quickly attach the P-56-PL recess plug to the formwork. The holding stud is inserted through the form and threaded into the threaded plate. Complete the anchor installation by screwing the free-running wing nut tightly against the form.

The P-64-PL Wing Nut has 3/8" diameter coil thread and is available as a replacement nut for the P-63-PL Holding Stud.



P-63-PL Swift Lift Plus Holding Stud



P-64-PL Swift Lift Plus Wing Nut

To Order:
Specify: (1) quantity, (2) name.

Example:
200, P-63-PL Swift Lift Plus Holding Studs.