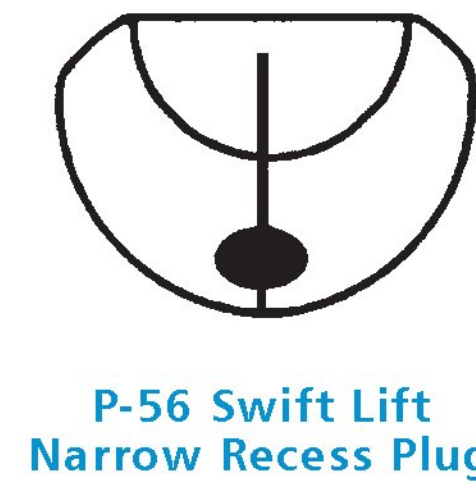
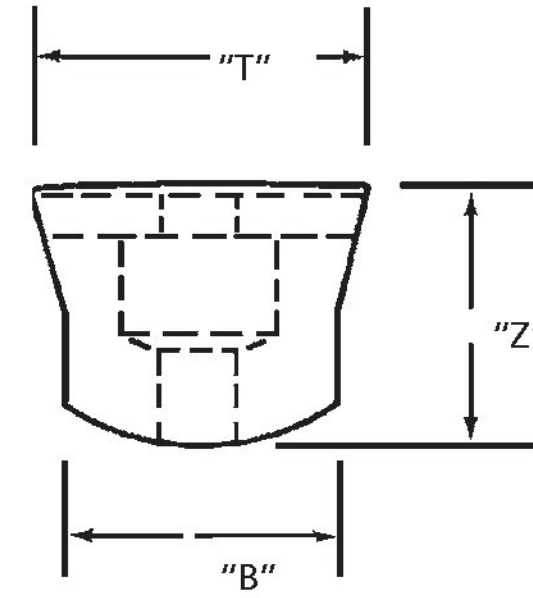


P-56 Swift Lift Narrow Recess Plug

The Dayton Superior P-56 Swift Lift Narrow Recess Plug is designed for use in thin-wall conditions, such as the top edge of highway safety barriers. The recess plug is bolted to the form using a P-63 stud and P-64 wing nut combination and it correctly positions the anchor below the surface of the concrete. P-56 recess plugs are fabricated from nitrile butadiene and are ideal for use in conditions requiring temperature or oil resistance.



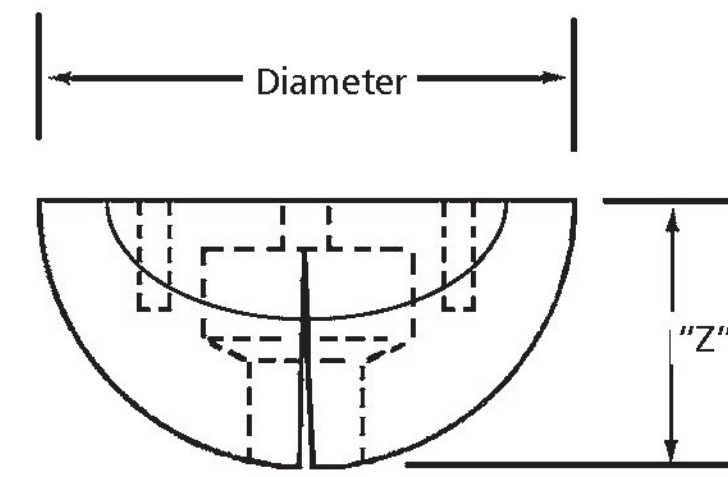
P-56 Swift Lift Narrow Recess Plug



P-56 Swift Lift Narrow Recess Plug

To Order:
Specify: (1) quantity, (2) name, (3) anchor size.

Example:
200, P-56 Swift Lift Narrow Recess Plugs,
4-ton anchor.

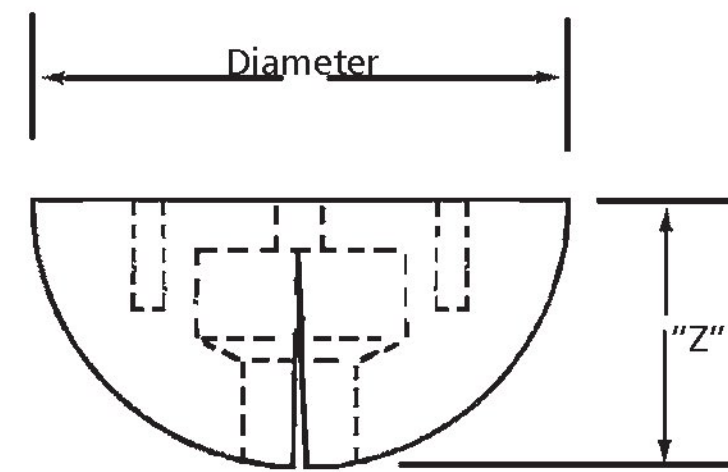


Swift Lift Narrow Recess Plug Dimensions				
Swift Lift Anchor	Diameter of Recess Plug	Dimension "Z"	Dimension "T"	Dimension "B"
1	2-3/8"	1-3/16"	1-21/32"	1-11/32"
2	3"	1-7/16"	2-1/32"	1-23/32"
4	3-3/4"	1-13/16"	2-3/4"	2-9/32"
8	4-3/4"	2-5/16"	3-11/32"	2-15/16"
20 Tons	6-3/8"	3-1/8"	4-15/16"	4-7/16"

Note: The diameter of the narrow recess plug is the same as the diameter of the round recess plug.

P-56R Swift Lift Round Recess Plug

The Dayton Superior P-56 Swift Lift Round Recess Plug is fabricated from nitrile butadiene and ideal for use in conditions requiring temperature or oil resistance. The plug must use the P-63R Attachment Stud and P-66R Attachment Nut. This plug can not be attached to the form with either a Holding Plate or Magnetic Setting Plate. Dimensions of the recess plug are slightly smaller than the standard P-56 PL urethane plug. This recess is available by special order.



Swift Lift Round Recess Plug Dimensions		
Swift Lift Anchor	Diameter of Recess Plug	Depth "Z"
1	2.375	1.188
2	2.918	1.514
4	3.661	1.875
8	4.659	2.375
20 Tons	6.375	3.063

Vermont Agency of Transportation
RECEIVED
 CK'D BY NVDB, JW, KM, TM OK'D BY JG
 March 21, 2017
 RESUBMIT No Approved
 BY K. Higgins DATE 03/23/17