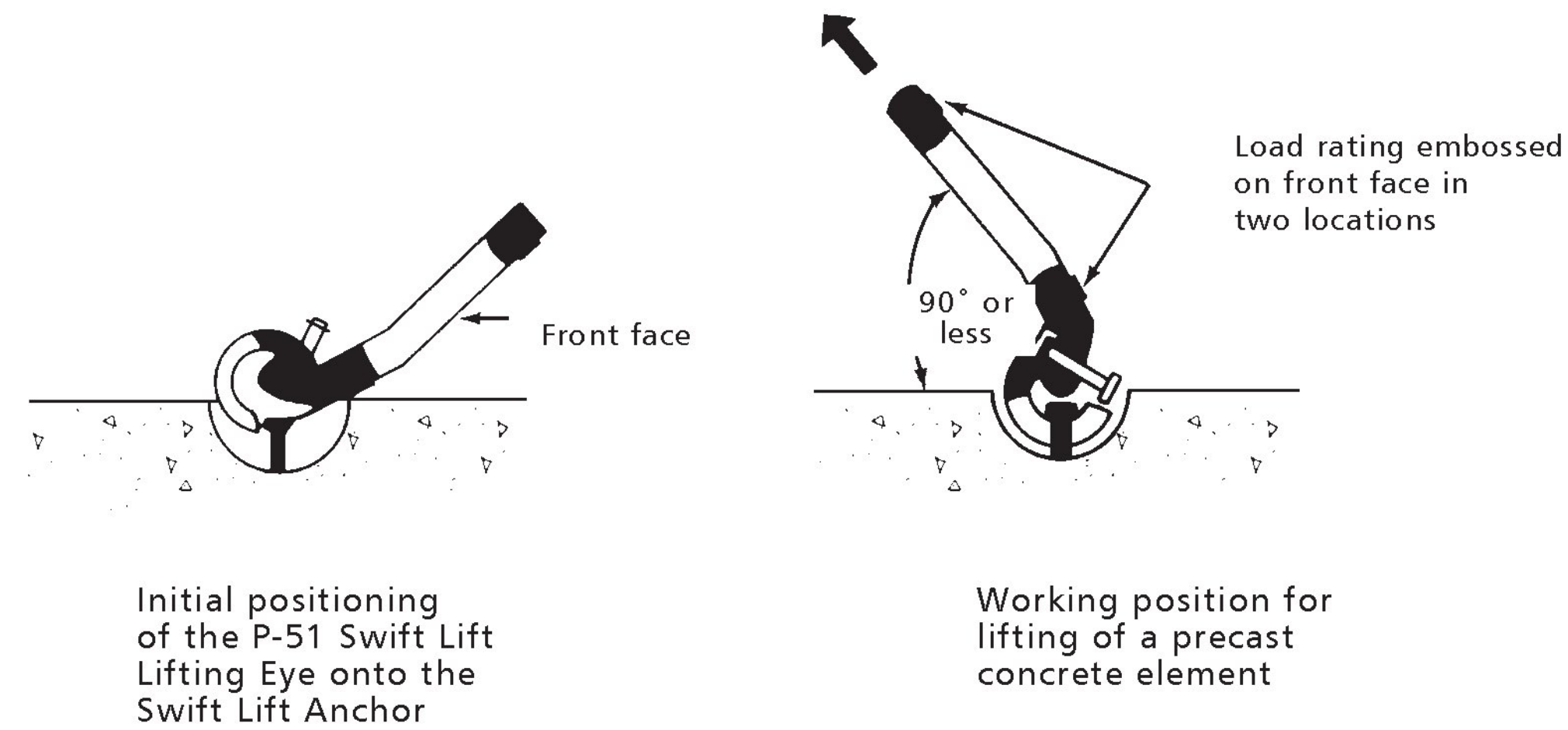


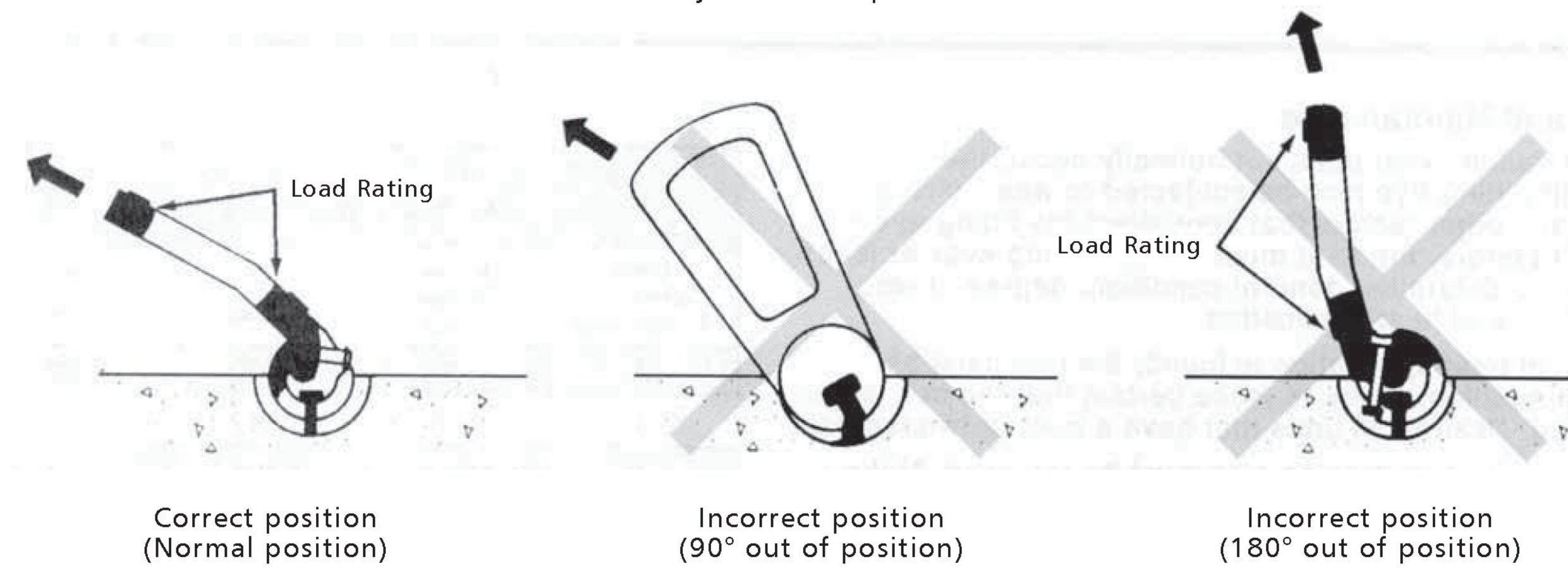
How to Install The P-51 Swift Lift Lifting Eye

To engage the P-51 Swift Lift Lifting Eye on the head of the Swift Lift Anchor, position the P-51 Swift Lift Lifting Eye so that the front face is toward the concrete, then raise the Swift Lift Lifting Eye into the working position and engage the lifting hook. The safety pin will drop into position to prevent accidental release of the Swift Lift Lifting Eye.

For inclined pulls, the front face of the P-51 Swift Lift Lifting Eye, which indicates the rated load of the lifting eye, must always be facing away from the concrete surface. This must be checked immediately before the lifting operation begins.



Warning: If the P-51 Swift Lift Lifting Eye is used when its relative position is 90° or 180° from its correct position, the P-52 Swift Lift Anchor will be overloaded and may result in a premature failure.



Right

Wrong

Wrong

Note: Do not use the lifting eye in this manner as it could bend and/or break the safety pin, allowing the lifting eye to pull off the Swift Lift Anchor. Never use lifting eye without a safety pin in place.

Vermont Agency of Transportation
RECEIVED
 CK'D BY NVDB, JW, KM, TM OK'D BY JG
 March 21, 2017
 RESUBMIT No Approved
 BY K. Higgins DATE 03/23/17