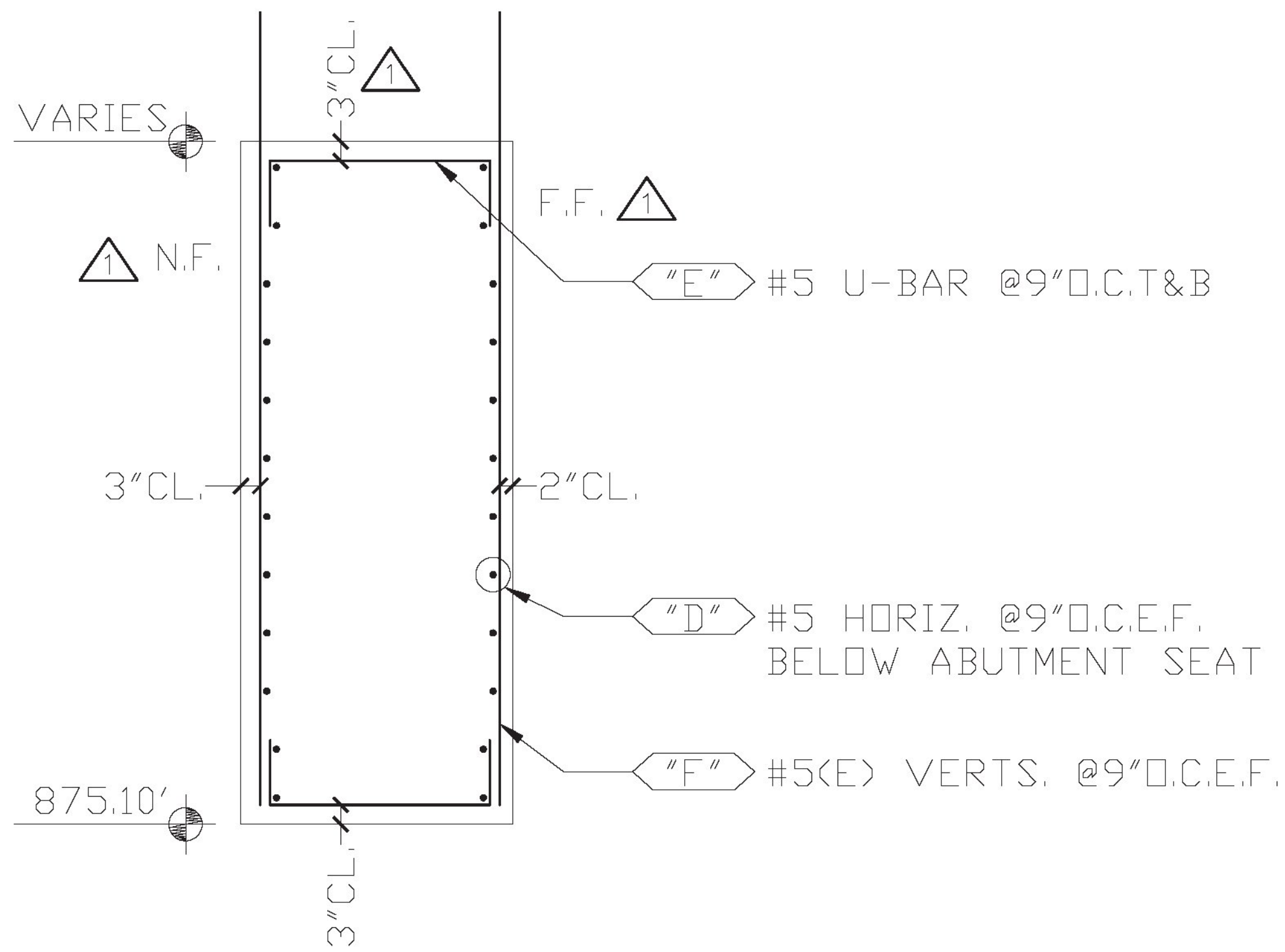


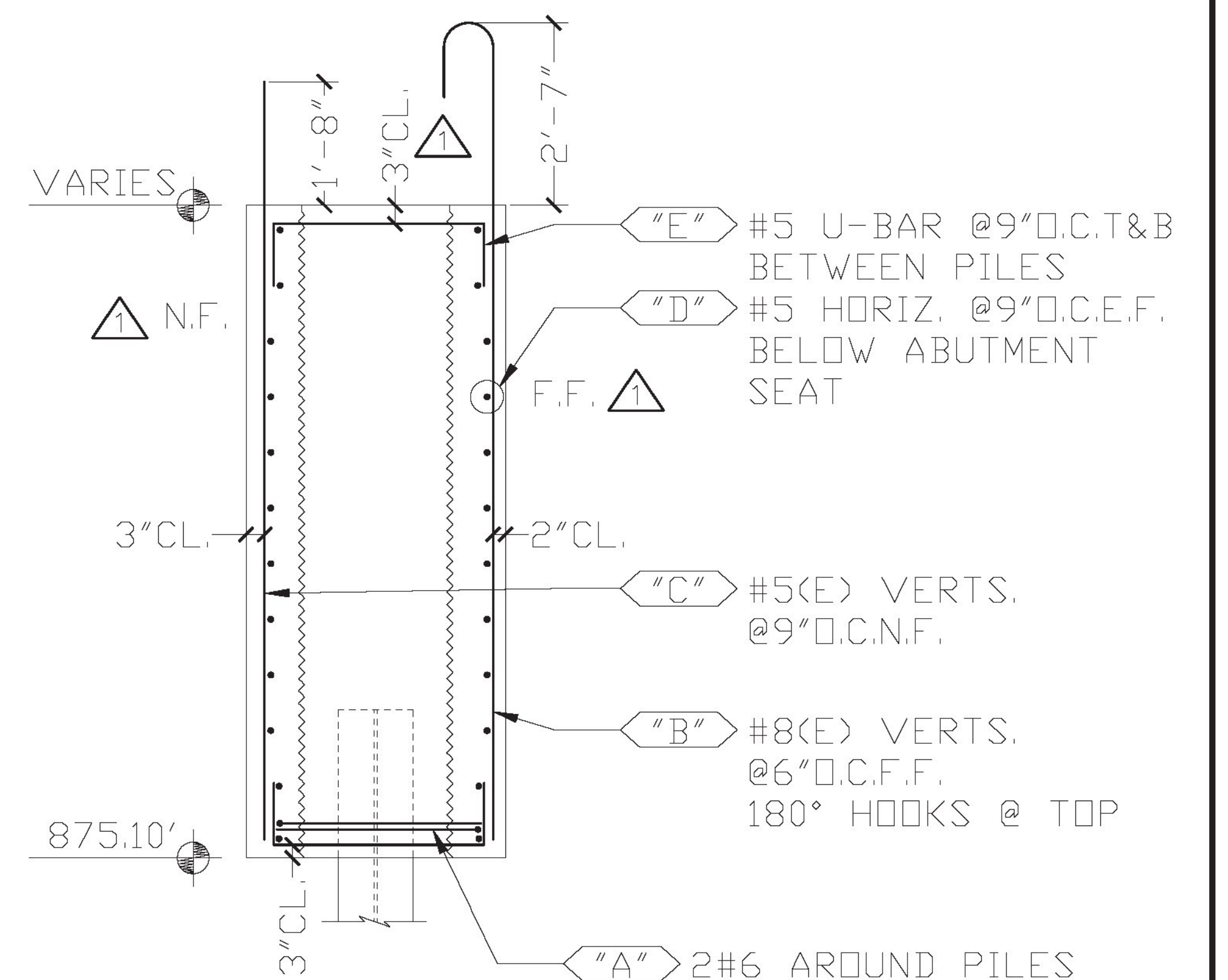
**SECTION 4**

CONTRACT DWG. REF. 28 OF 52



**SECTION 2**

CONTRACT DWG. REF. 28 OF 52



**SECTION 1**

CONTRACT DWG. REF. 28 OF 52

1 BAR MARKS MAY CHANGE, DUE TO REVISIONS

**FOR APPROVAL**

WORK THIS DRAWING WITH DRAWINGS B, B2, & B3

EPOXY REINF. BARS ASTM A615 GRADE 60, MARKED (E). EPOXY COATING TO MEET AASHTO M284/ASTM A775.

REINF. BARS ASTM A615 GRADE 60

VERIFICATION OF UNCLEAR INFORMATION MAY BE REQUESTED ON THIS DRAWING. SHOULD VERIFICATION BE LEFT UN-ADDRESSED IT WILL REMAIN AS SHOWN AND ASSUME TO BE CORRECT.

**LEGEND:**

CONT.-CONTINUOUS	E.E.-EACH END
TRANS.-TRANSVERSE	E.F.-EACH FACE
DWLS.-DOWELS	N.F.-NEAR FACE
VERTS.-VERTICAL	F.F.-FAR FACE
HORIZ.-HORIZONTAL	E.W.-EACH WAY
T&B -TOP & BOTTOM	O.C.-ON CENTER
I.F.-INNER FACE	L.W.-LONG WAY
O.F.-OUTER FACE	S.W.-SHORT WAY

ELEVATIONS & DIMENSIONS SHOWN ON THIS DWG. ARE FOR REINF. DETAILING PURPOSES ONLY AND ARE NOT INTENDED FOR DIMENSIONAL CONSTRUCTION.

6			
5	3/9/17	2	REVISED PER APPROVAL / FOR APPROVAL
4	2/10/17	1	REVISED PER APPROVAL / FOR APPROVAL
3	1/13/17	-	FOR APPROVAL
2	1/4/17	-	FOR APPROVAL
1	12/16/16	-	FOR APPROVAL
	DATE	REV.#	SENT FOR

**DIMENSION**  
DIMENSION FABRICATORS INC.  
2000 7TH STREET SCOTIA, N.Y. 12302  
PH: (518) 374-1936  
FAX (518) 374-4830  
www.dimensionfabricators.com

STRUCTURE	VTAOT STRAFFORD BF0177(10)		
LOCATION	TOWN OF STRAFFORD, ORANGE COUNTY, VT		
ARCHITECT			
ENGINEER			
CUSTOMER	MILLER CONSTRUCTION		
DRAWN BY	DATE	DFI #	
CMB	12/13/16	10098	
DRAWING COVERS			DRAWING #
ABUTMENT 2			B2

**Vermont Agency of Transportation**  
**RECEIVED**  
CK'D BY NVDB, JW, KM, TM OK'D BY JG  
March 21, 2017  
RESUBMIT No Approved  
BY K. Higgins DATE 03/23/2017