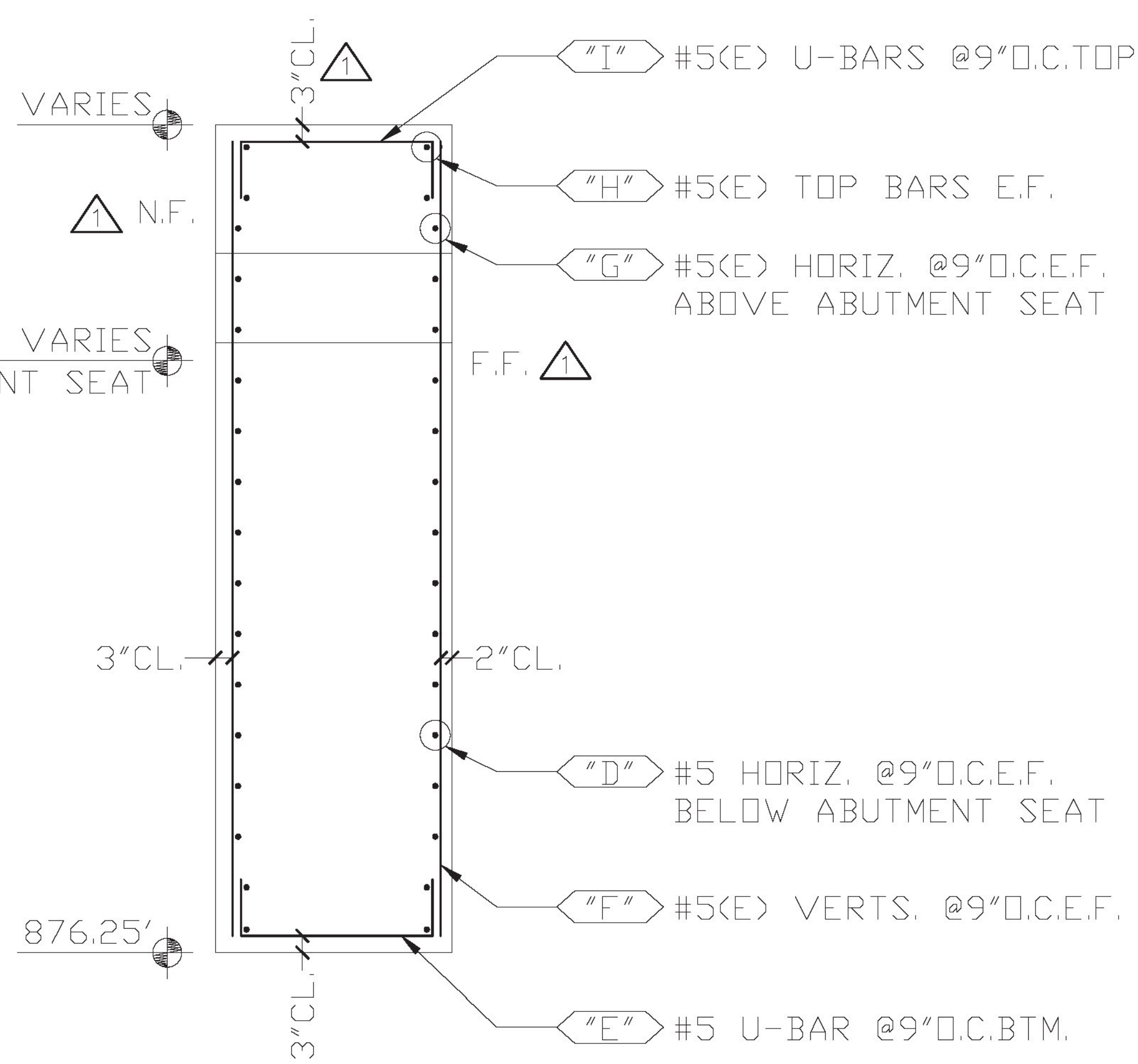


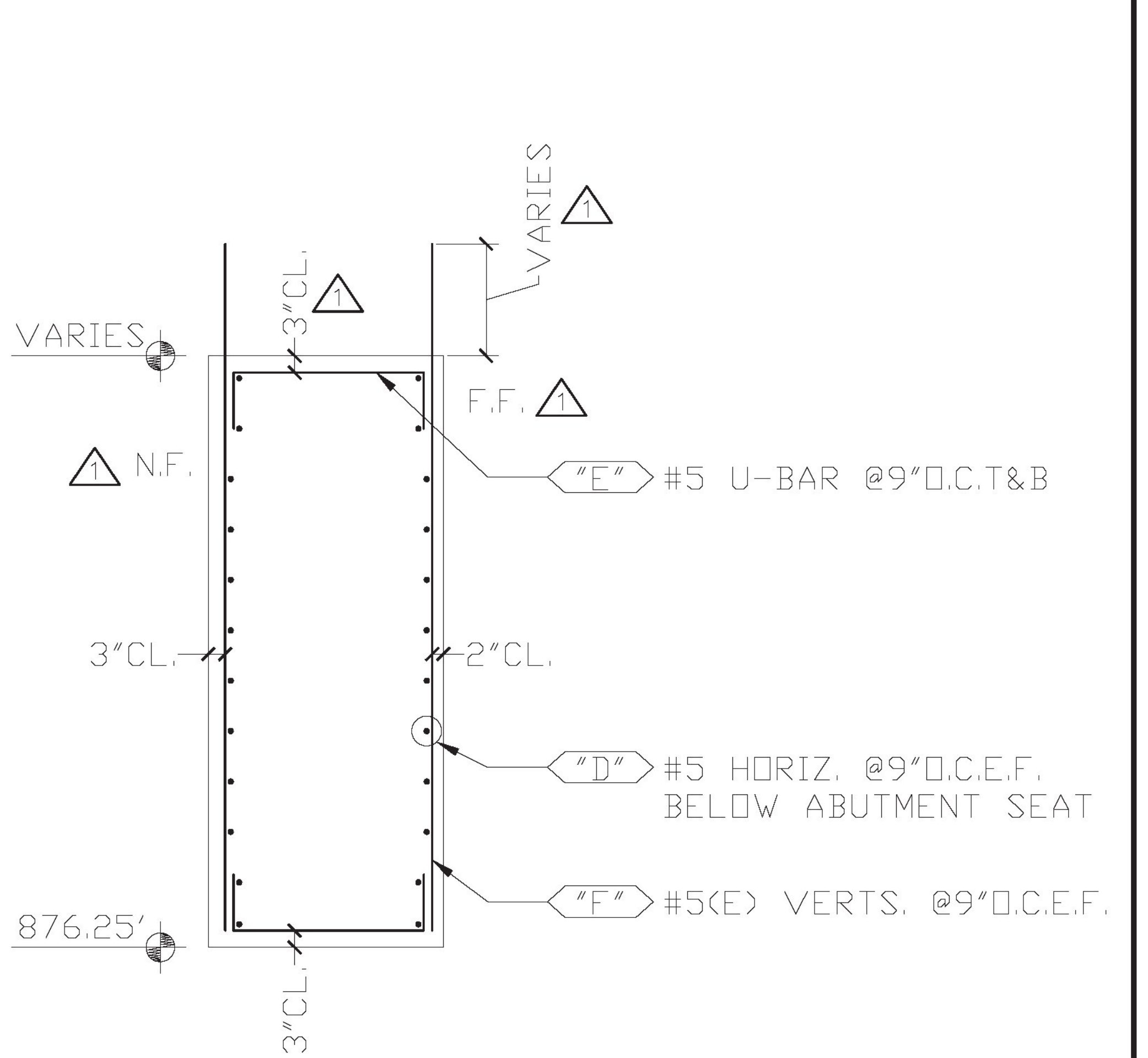
**SECTION 4**

CONTRACT DWG. REF. 28 OF 52



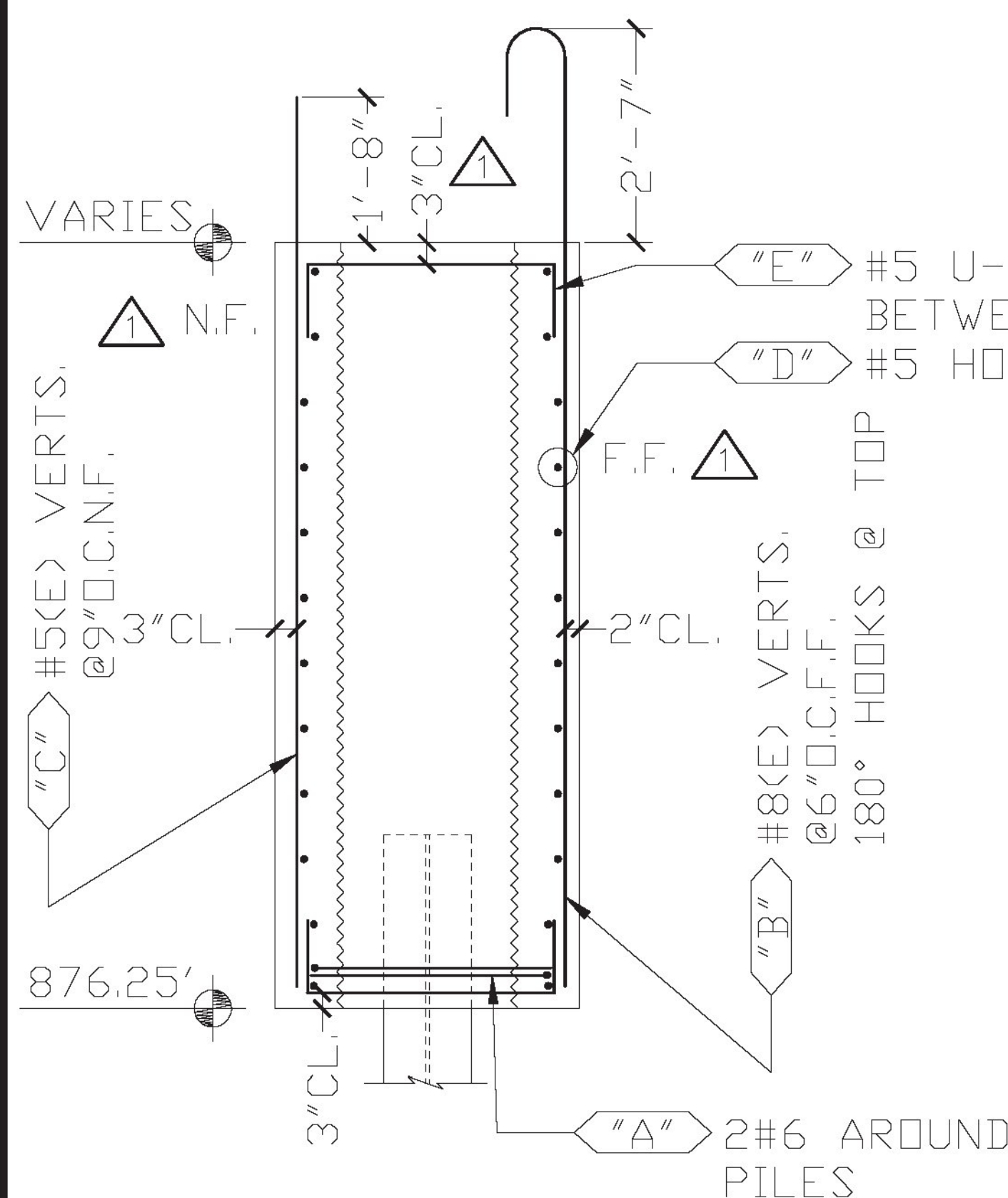
**SECTION 3**

CONTRACT DWG. REF. 28 OF 52



**SECTION 2**

CONTRACT DWG. REF. 28 OF 52



**SECTION 1**

CONTRACT DWG. REF. 28 OF 52

BAR MARKS MAY CHANGE, DUE TO REVISIONS

**LEGEND:**

CONT.-CONTINUOUS	E.E.-EACH END
TRANS.-TRANSVERSE	E.F.-EACH FACE
DWLS.-DOWELS	N.F.-NEAR FACE
VERTS.-VERTICAL	F.F.-FAR FACE
HORIZ.-HORIZONTAL	E.W.-EACH WAY
T&B -TOP & BOTTOM	O.C.-ON CENTER
I.F.-INNER FACE	L.W.-LONG WAY
O.F.-OUTER FACE	S.W.-SHORT WAY

ELEVATIONS & DIMENSIONS SHOWN ON THIS DWG. ARE FOR REINF. DETAILING PURPOSES ONLY AND ARE NOT INTENDED FOR DIMENSIONAL CONSTRUCTION.

Vermont Agency of Transportation  
**RECEIVED**  
 CK'D BY NVDB, JW, KM, TM OK'D BY JG  
 March 21, 2017  
 RESUBMIT No Approved  
 BY K. Higgins DATE 03/23/2017

**FOR APPROVAL**

WORK THIS DRAWING WITH DRAWINGS A, A1, & A3

EPOXY REINF. BARS ASTM A615 GRADE 60, MARKED (E). EPOXY COATING TO MEET AASHTO M284/ASTM A775.

REINF. BARS ASTM A615 GRADE 60

VERIFICATION OF UNCLEAR INFORMATION MAY BE REQUESTED ON THIS DRAWING. SHOULD VERIFICATION BE LEFT UN-ADDRESSED IT WILL REMAIN AS SHOWN AND ASSUME TO BE CORRECT.

6			
5	3/9/17	2	REVISED PER APPROVAL / FOR APPROVAL
4	2/10/17	1	REVISED PER APPROVAL / FOR APPROVAL
3	1/13/17	-	FOR APPROVAL
2	1/4/17	-	FOR APPROVAL
1	12/16/16	-	FOR APPROVAL
	DATE	REV.#	SENT FOR
<p>2000 7TH STREET          SCOTIA, N.Y. 12302          PH: (518) 374-1936          FAX (518) 374-4830          www.dimensionfabricators.com</p>			
STRUCTURE	VTAOT STRAFFORD BF0177(10)		
LOCATION	TOWN OF STRAFFORD, ORANGE COUNTY, VT		
ARCHITECT			
ENGINEER			
CUSTOMER	MILLER CONSTRUCTION		
DRAWN BY	DATE	DFI #	
CMB	12/12/16	10098	
DRAWING COVERS		DRAWING #	
ABUTMENT 1		A2	