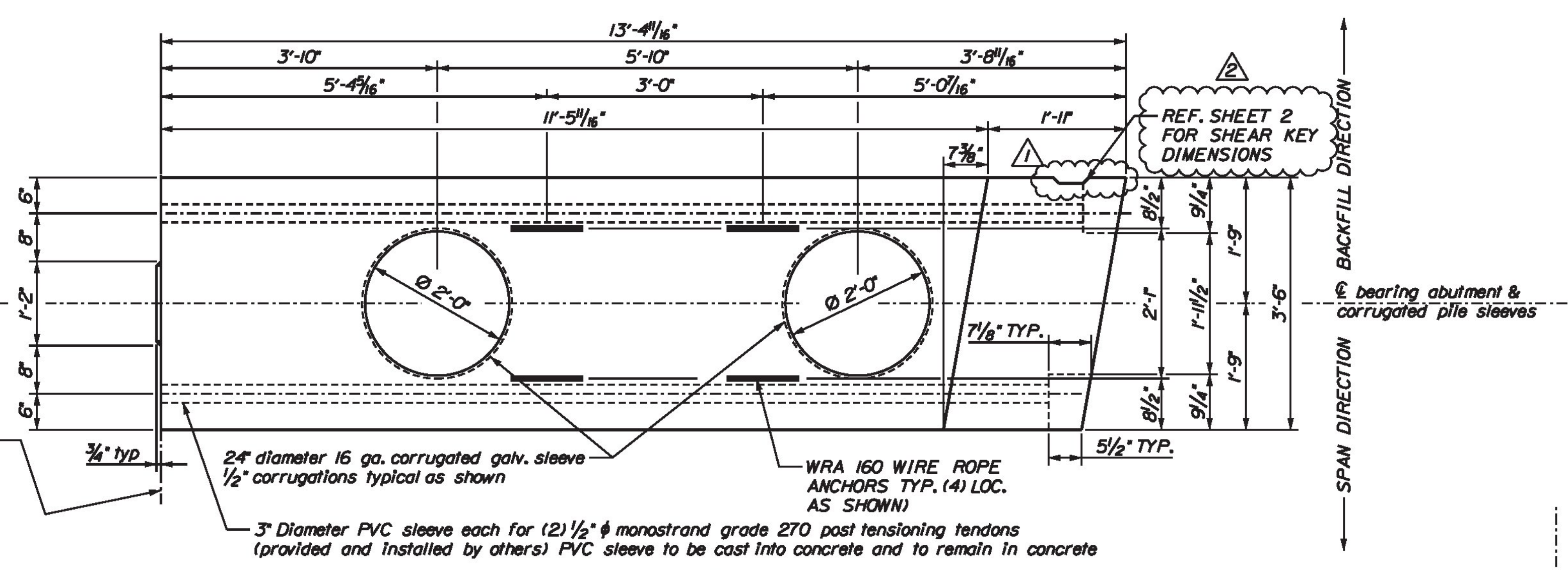


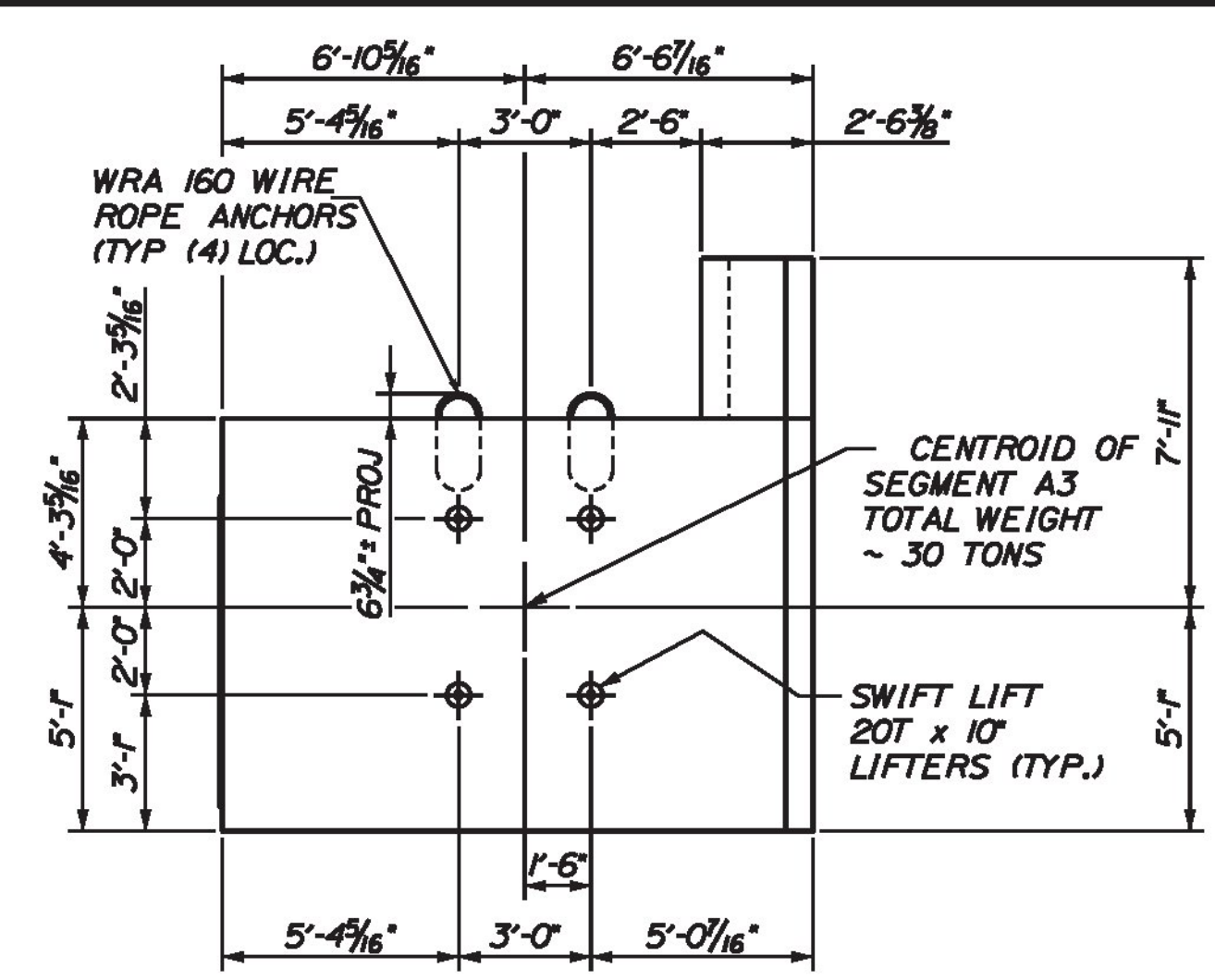
DRILL AND ANCHOR ANCHOR RODS FOR TEMPORARY BEARINGS IN THE FIELD

USE A SINGLE SHEET OF POLY TO ACT AS A BOND BREAKER BETWEEN MATCH CAST JOINTS. REMOVE POLY AS SOON AS PIECES ARE MOVED.

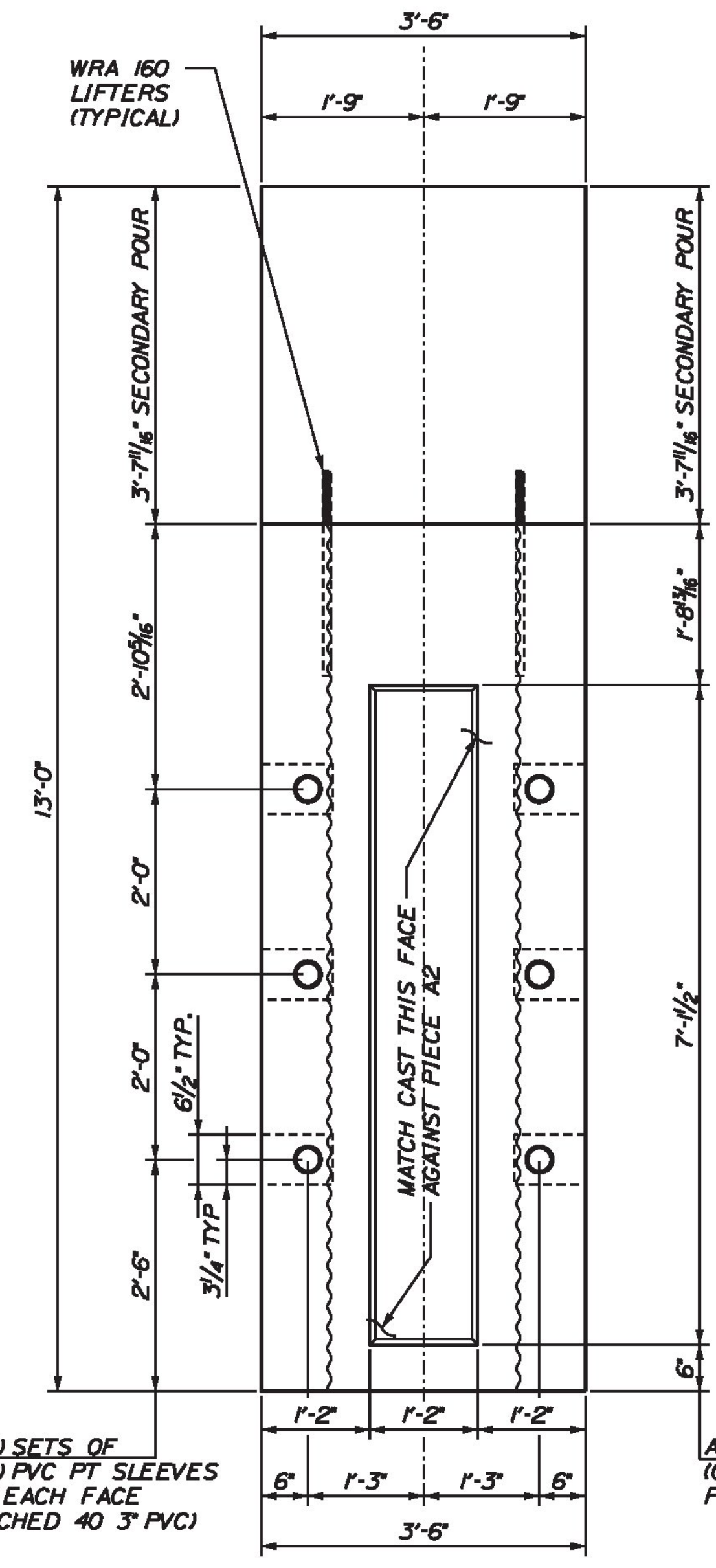
CENTERLINE OF MATCH CAST JOINT WITH ABUTMENT SEGMENT A2 ALIGNMENT KEY PROJECTS 3/4" TYPICAL IN PIECE A3



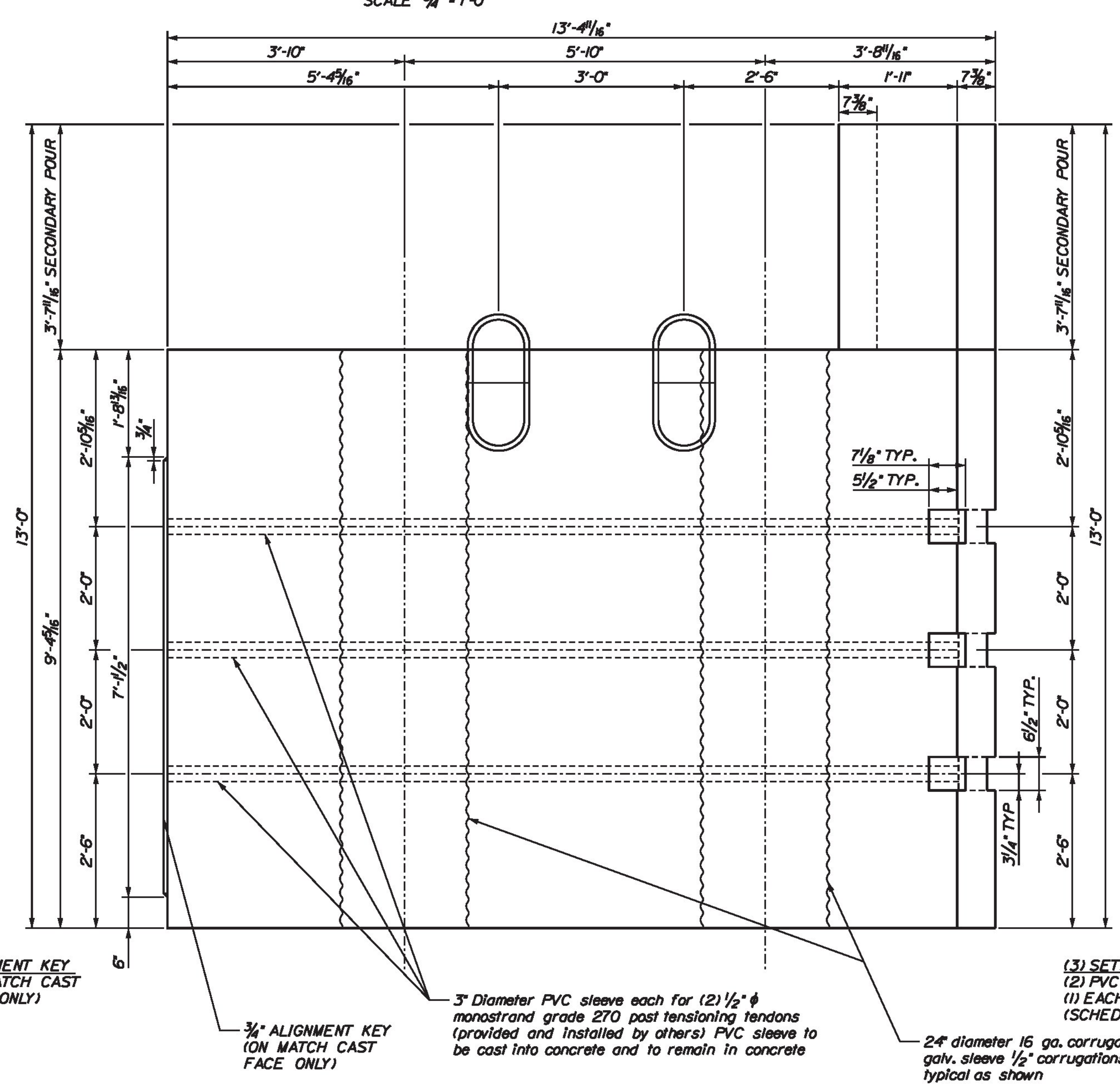
PLAN VIEW ABUTMENT SEGMENT A3
 SCALE 3/4" = 1'-0"



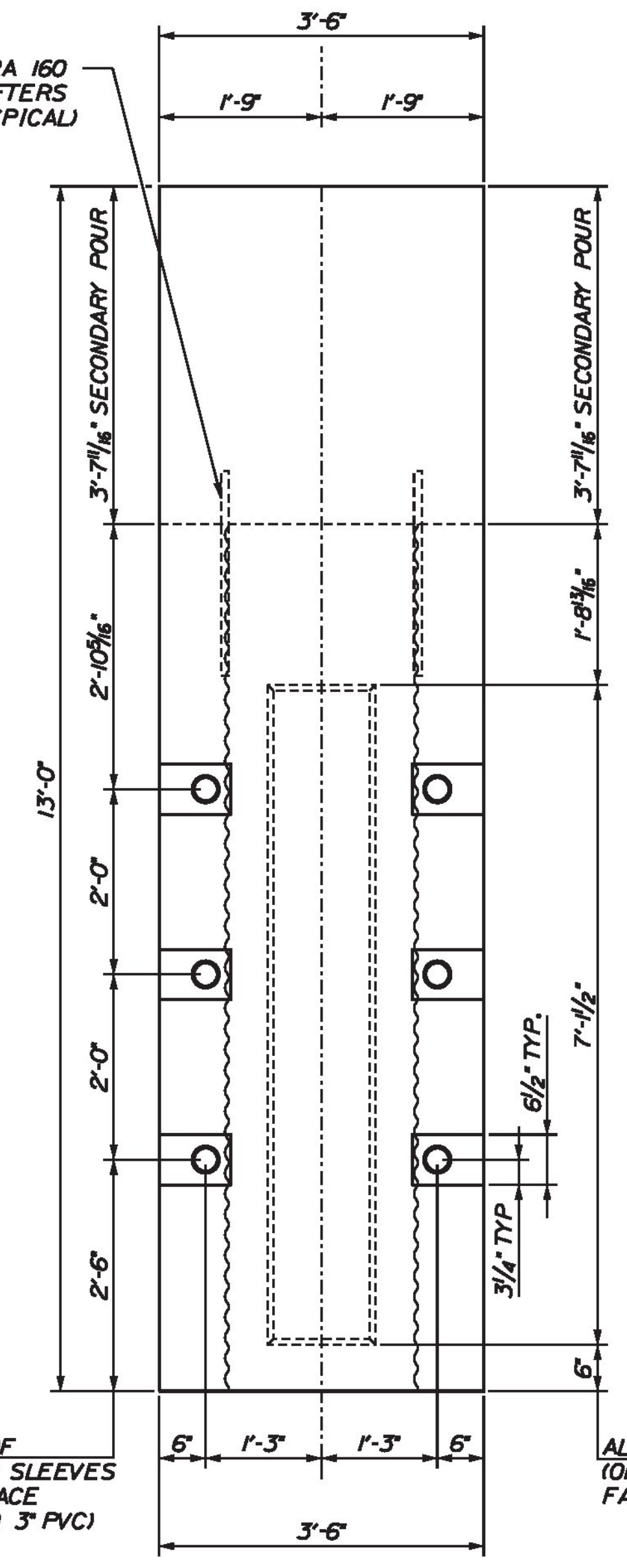
CENTROID AND LIFTER LOCATIONS
 LOCATE SWIFT LIFT ANCHORS ON BACKFILL FACE



LEFT ELEVATION ABUTMENT SEGMENT A3
 SCALE 3/4" = 1'-0"



FRONT ELEVATION ABUTMENT SEGMENT A3
 SCALE 3/4" = 1'-0" (LOOKING BACKSTATION)



RIGHT ELEVATION ABUTMENT SEGMENT A3
 SCALE 3/4" = 1'-0"

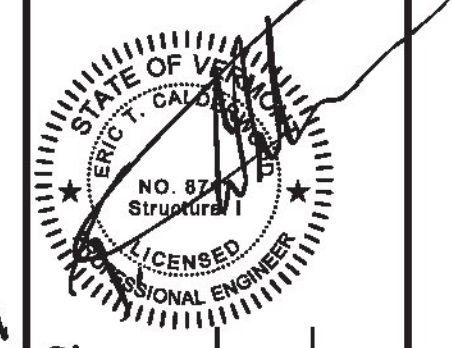
SHOP NOTE:
 ALIGNMENT OF PROJECTING REBAR FOR WINGWALL CRITICAL USE A TEMPLATE TO ENSURE REBAR WILL FIT INTO GROUDED SPLICERS IN WING

SHOP NOTE:
 REFERENCE SHEET 2 FOR SHEAR KEY DETAILS AT THE CORNER CONNECTION FOR WING WALL WW1

SHOP NOTE:
 REFERENCE SHEET 2 FOR ADD'L REINFORCING AT PT ANCHORAGE

Vermont Agency of Transportation
RECEIVED
 CK'D BY NVDB, JW, KM, TM OK'D BY JG
 March 21, 2017
 RESUBMIT No Approved
 BY K. Higgins DATE 03/23/2017

CALDERWOOD ENGINEERING, ETC.
 STRUCTURAL ENGINEERING • DETAILING SERVICES
 222 RIVER RD, RICHMOND, ME 04857 PH: (207) 737-2007 F: (207) 737-2008
 PREPARED FOR: MILLER CONSTRUCTION
 STRAFFORD BF 0177(10)



DESIGN-DETAILED	CHECKED-REVIEWED	DATE	BY
		JAN 2017	ETC

REVISIONS 1	ADDRESS VITRANS COMMENTS FEB 2017	P.E. NUMBER	DATE
REVISIONS 2	ADDRESS VITRANS COMMENTS MAR 2017		
REVISIONS 3			
REVISIONS 4			

STRAFFORD VERMONT
 ABUTMENT SHOP DETAILS
 SEGMENT A3 GEOMETRIC DETAILS

SHEET NUMBER

5

