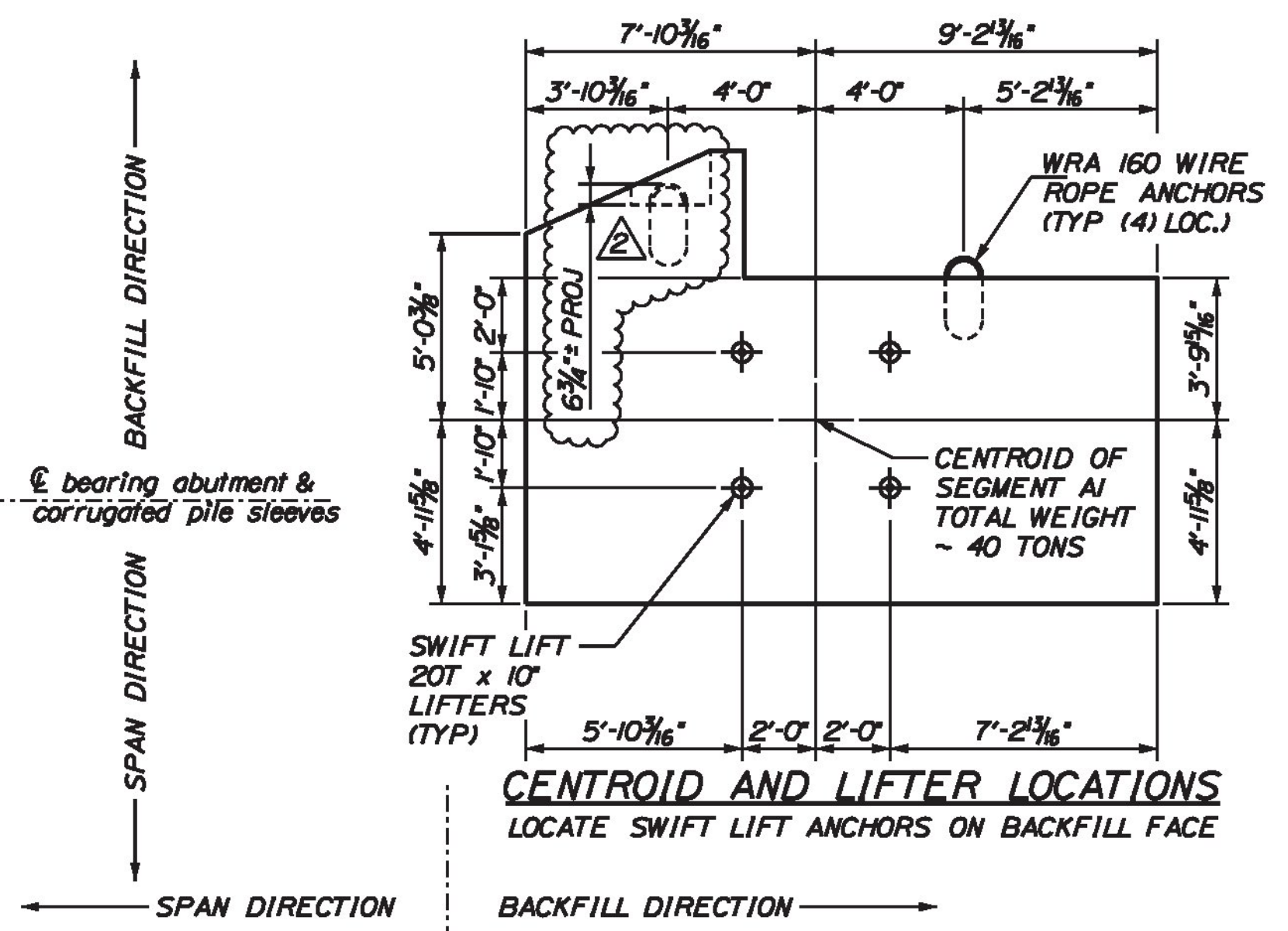
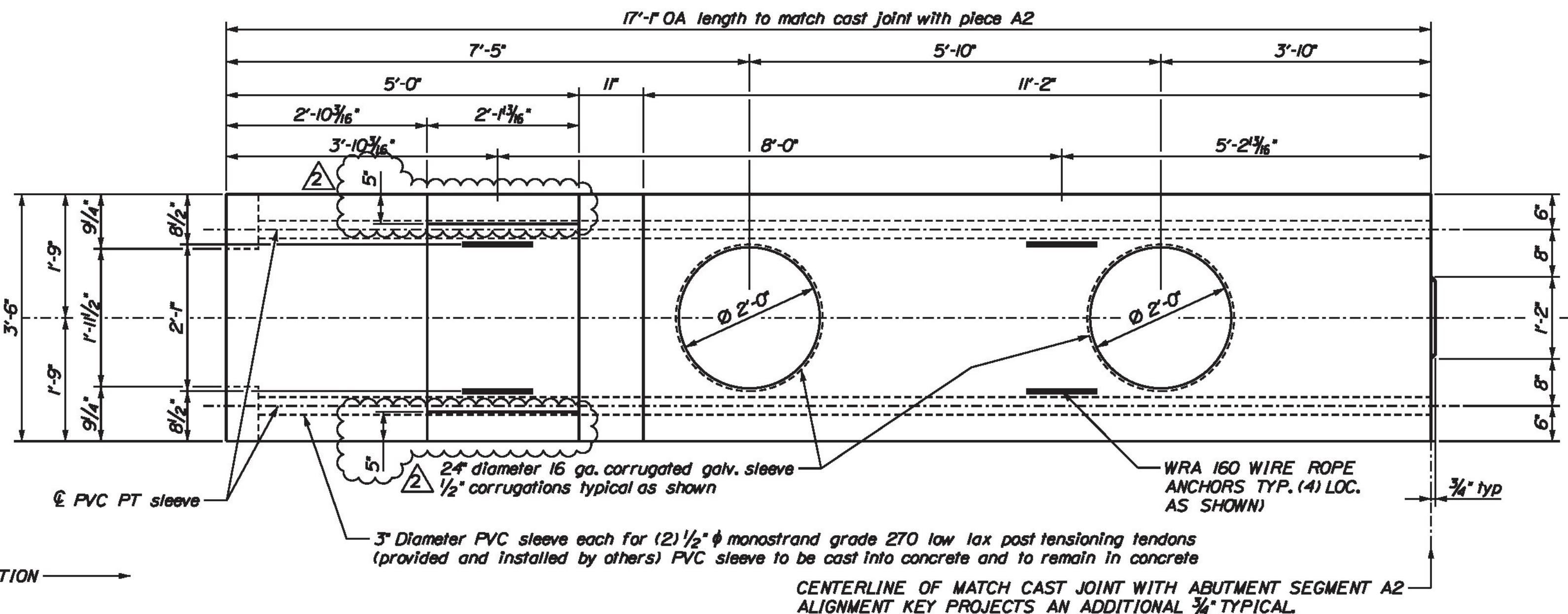
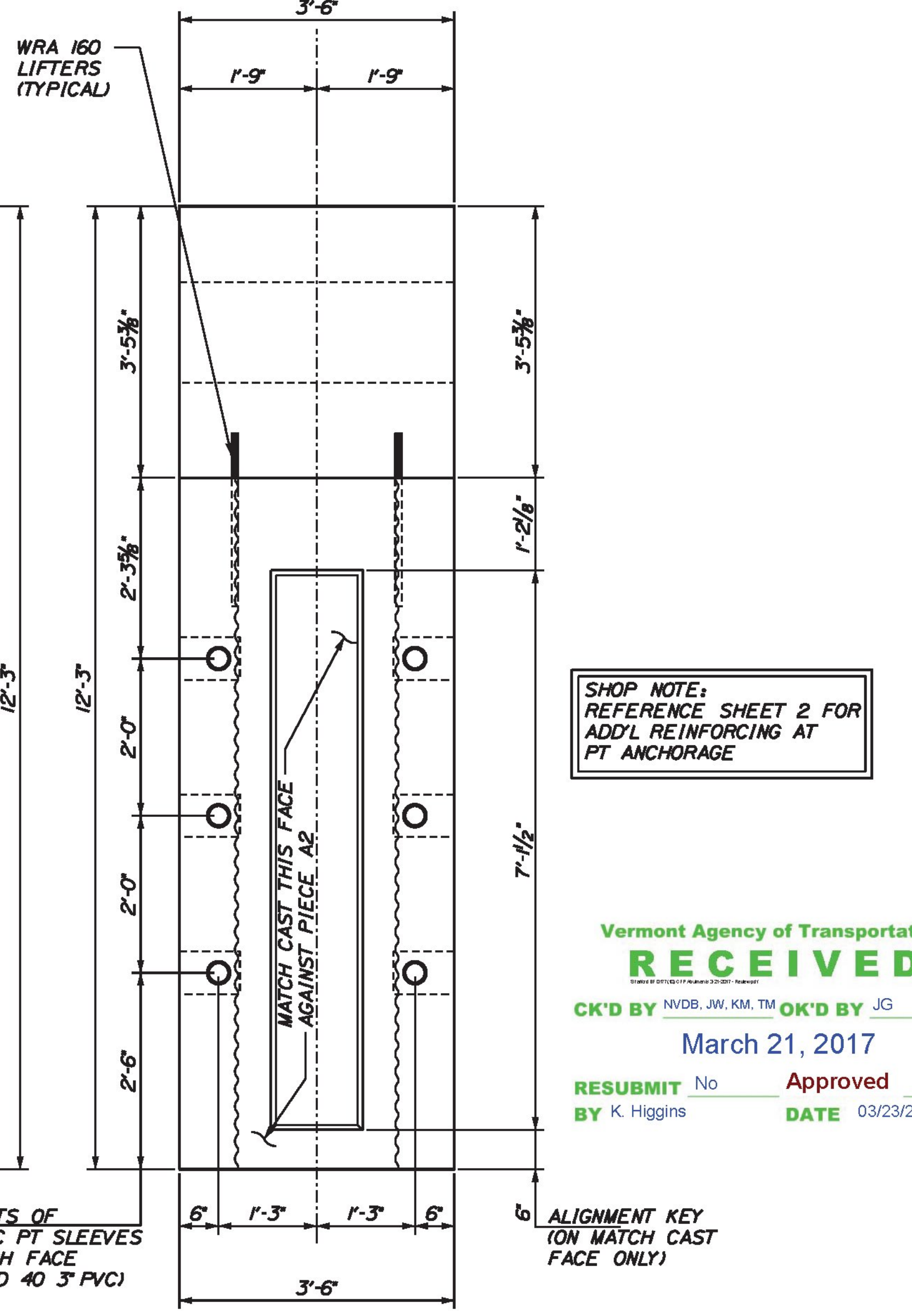
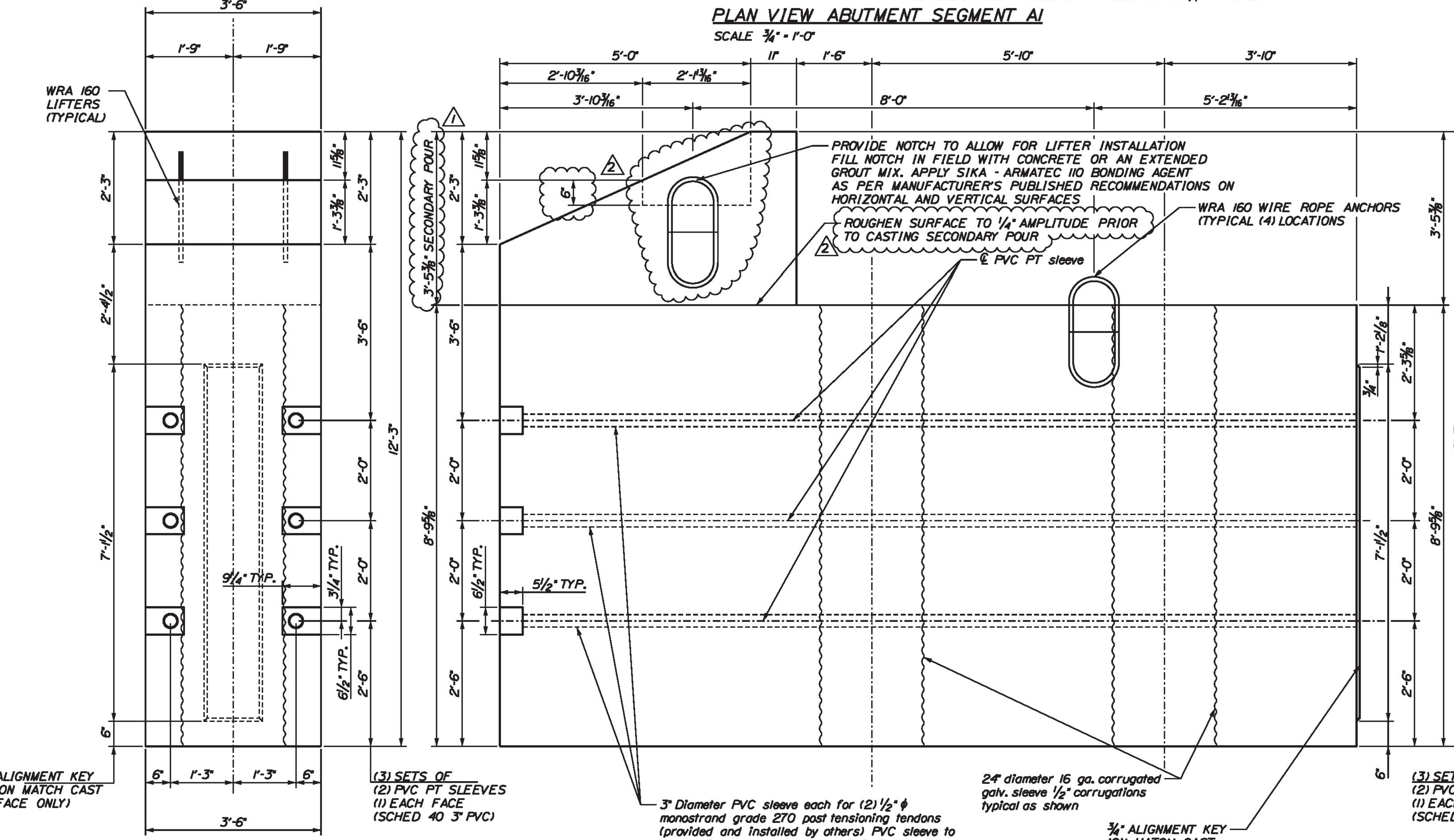


USE A SINGLE SHEET OF POLY TO ACT AS A BOND BREAKER BETWEEN MATCH CAST JOINTS. REMOVE POLY AS SOON AS PIECES ARE MOVED.

DRILL AND ANCHOR ANCHOR RODS FOR TEMPORARY BEARINGS IN THE FIELD



PLAN VIEW ABUTMENT SEGMENT A1  
SCALE 3/4" = 1'-0"



LEFT ELEVATION ABUTMENT SEGMENT A1  
SCALE 3/4" = 1'-0"

FRONT ELEVATION ABUTMENT SEGMENT A1  
SCALE 3/4" = 1'-0" (LOOKING BACKSTATION)

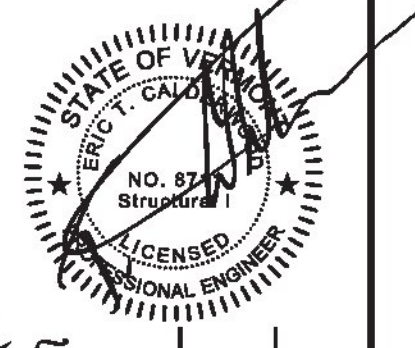
RIGHT ELEVATION ABUTMENT SEGMENT A1  
SCALE 3/4" = 1'-0"

ADJUST REBAR IN ORDER TO CLEAR LIFTERS (TYPICAL AS REQUIRED)

SHOP NOTE:  
REFERENCE SHEET 2 FOR  
ADDL REINFORCING AT  
PT ANCHORAGE

Vermont Agency of Transportation  
**RECEIVED**  
CK'D BY NVDB, JW, KM, TM OK'D BY JG  
March 21, 2017  
RESUBMIT No Approved  
BY K. Higgins DATE 03/23/2017

CALDERWOOD ENGINEERING, ETC.  
STRUCTURAL ENGINEERING • DETAILING SERVICES  
222 RIVER RD, RICHMOND, ME 04857 PH: (603) 737-2007 FAX: (603) 737-2008  
PREPARED FOR: MILLER CONSTRUCTION  
STRAFFORD BF 0177(10)



DESIGN/DETAIL	CHECKED/REVIEWED	DATE
BY ETC		JAN 2017
REVISIONS 1	ADDRESS VIAMS COMMENTS	FEB 2017
REVISIONS 2	ADDRESS VIAMS COMMENTS	MAR 2017
REVISIONS 3		
REVISIONS 4		

STRAFFORD VERMONT  
ABUTMENT SHOP DETAILS  
SEGMENT A1 GEOMETRIC DETAILS

SHEET NUMBER

3

