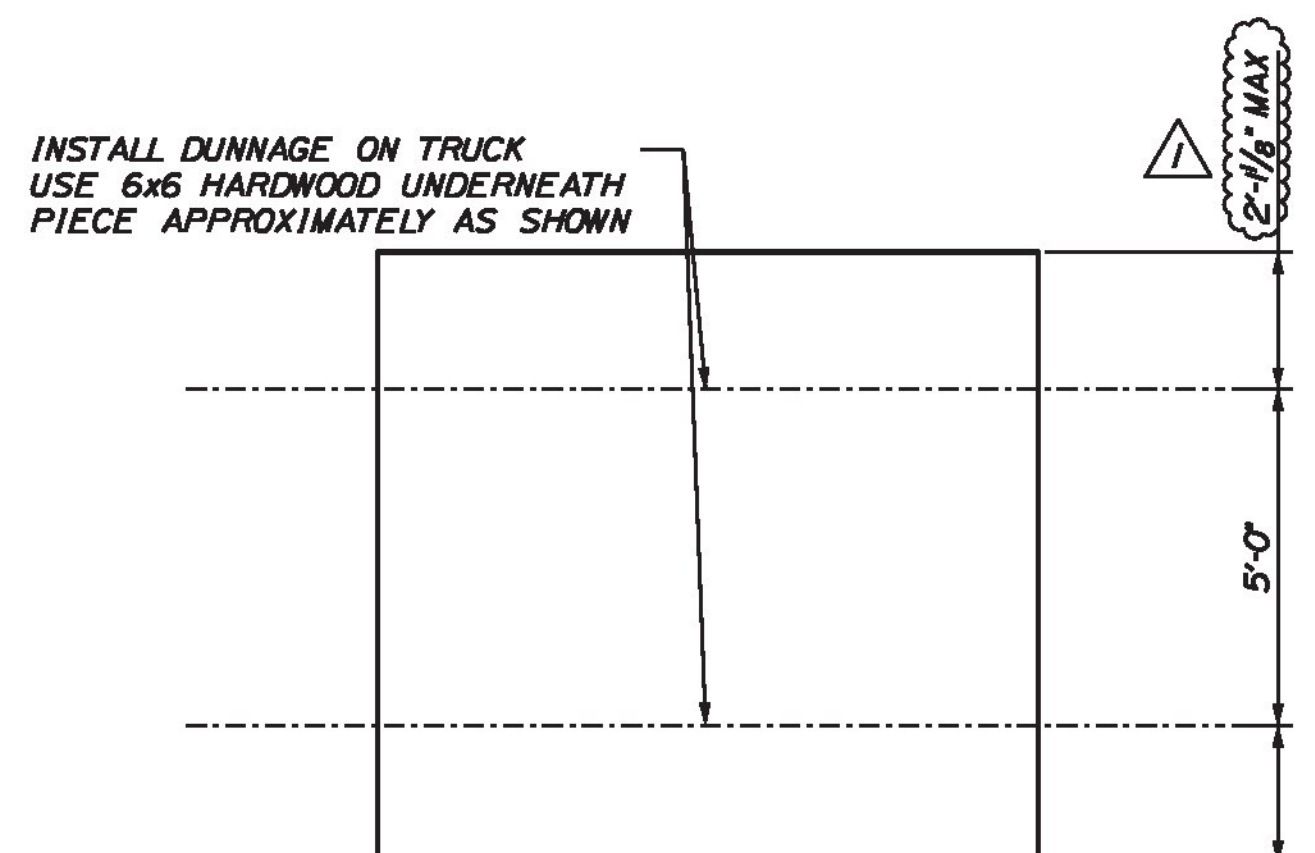
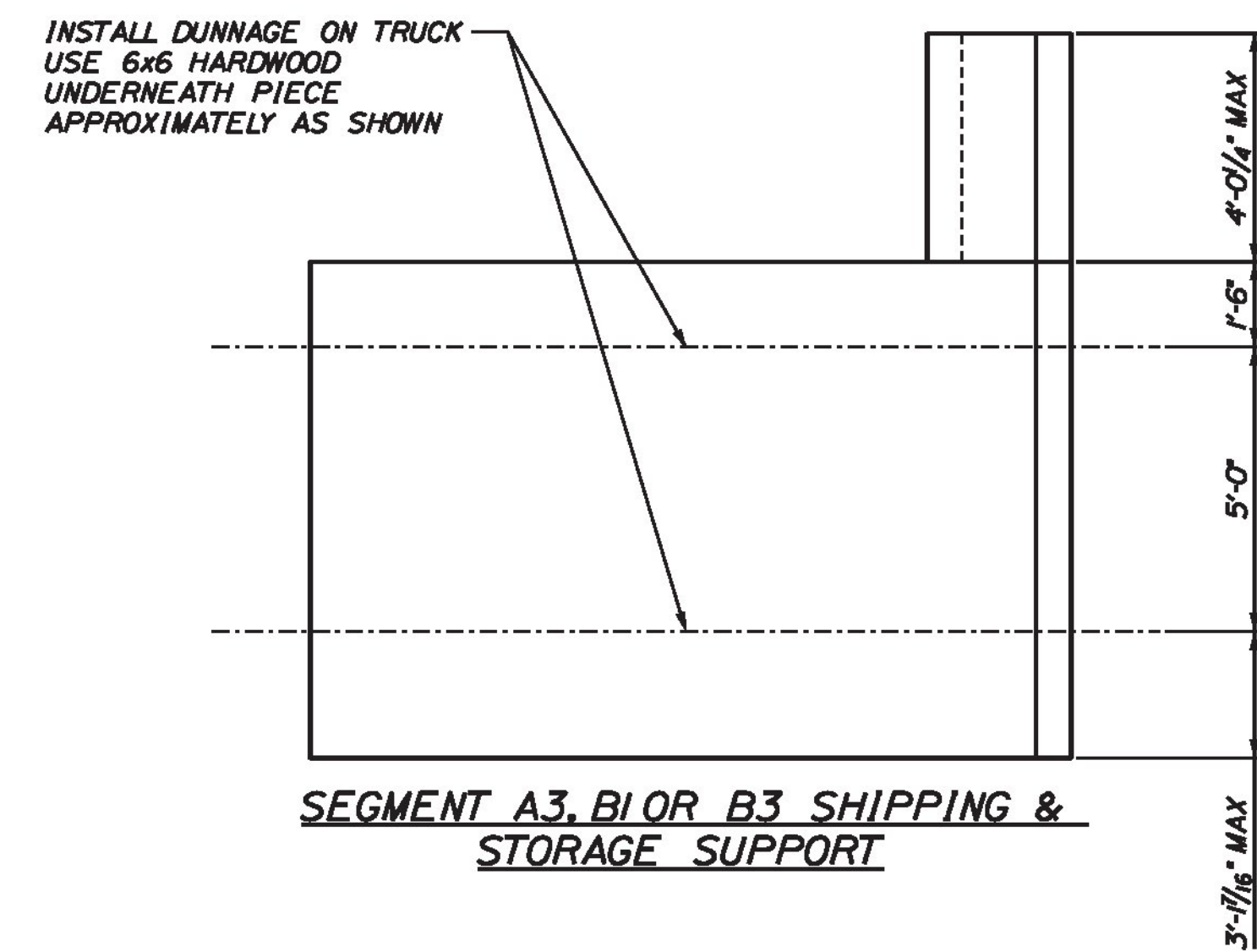


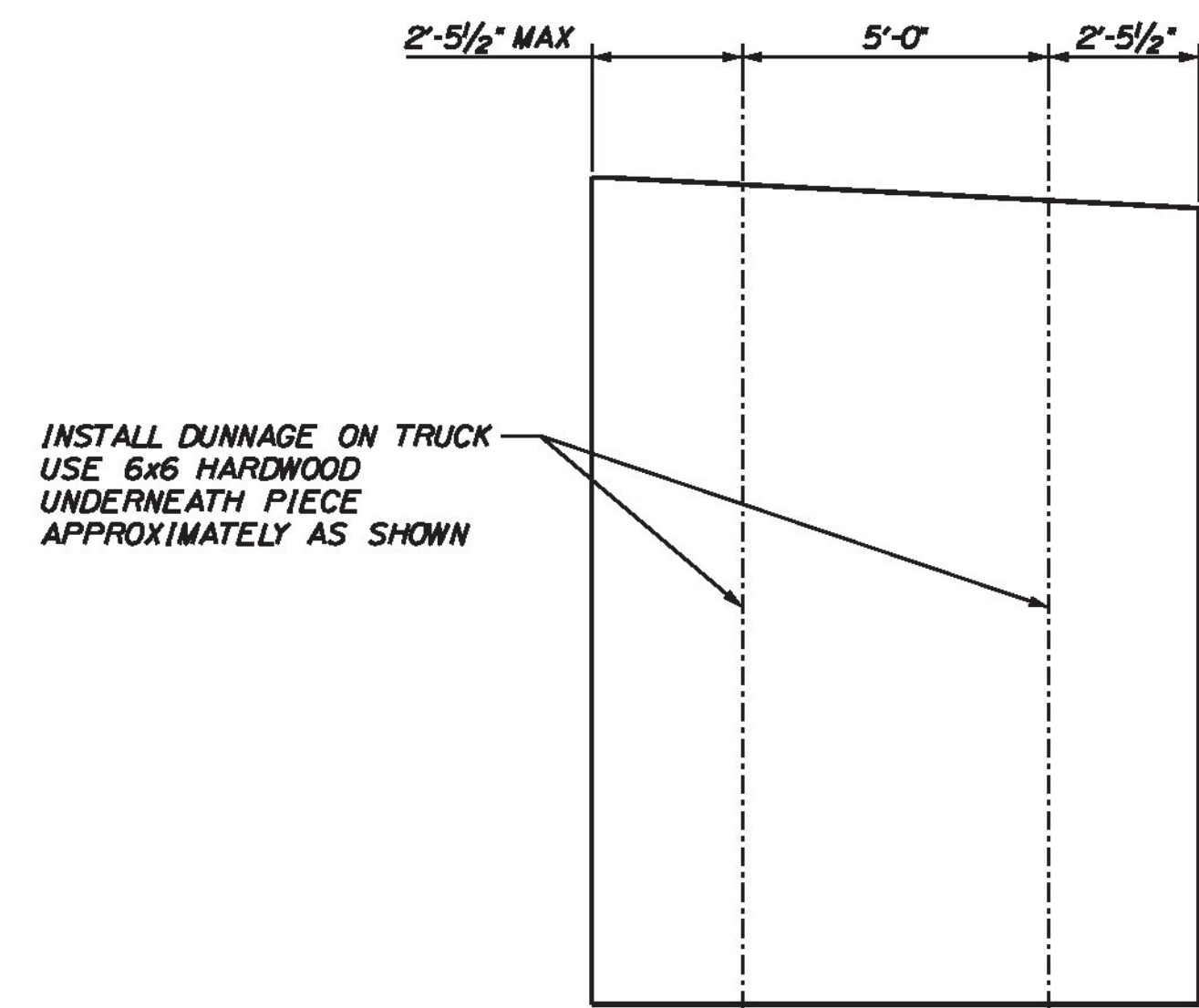
SEGMENT A1 SHIPPING & STORAGE SUPPORT



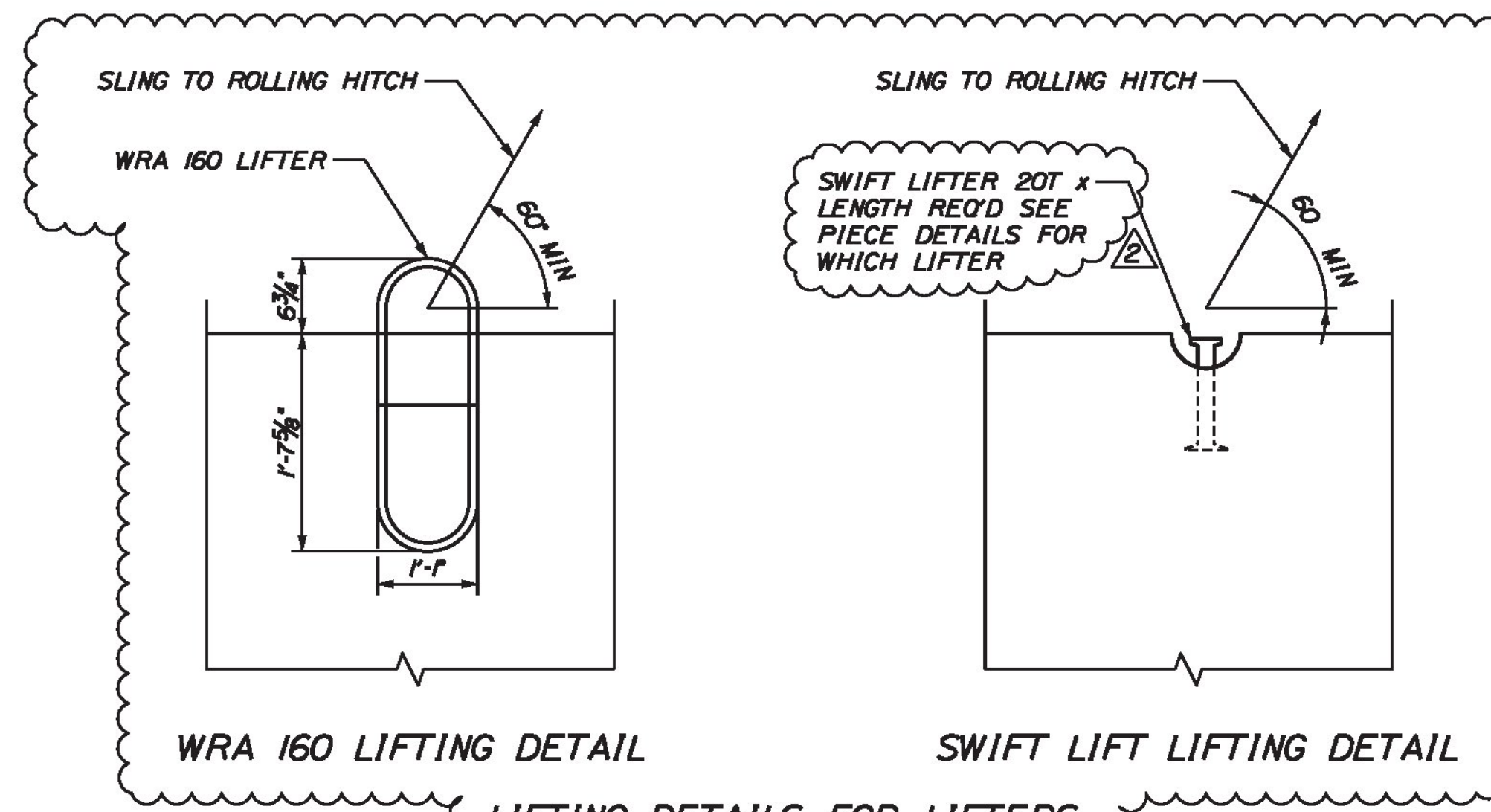
SEGMENT A2 OR B2 SHIPPING & STORAGE SUPPORT



SEGMENT A3, B1 OR B3 SHIPPING & STORAGE SUPPORT

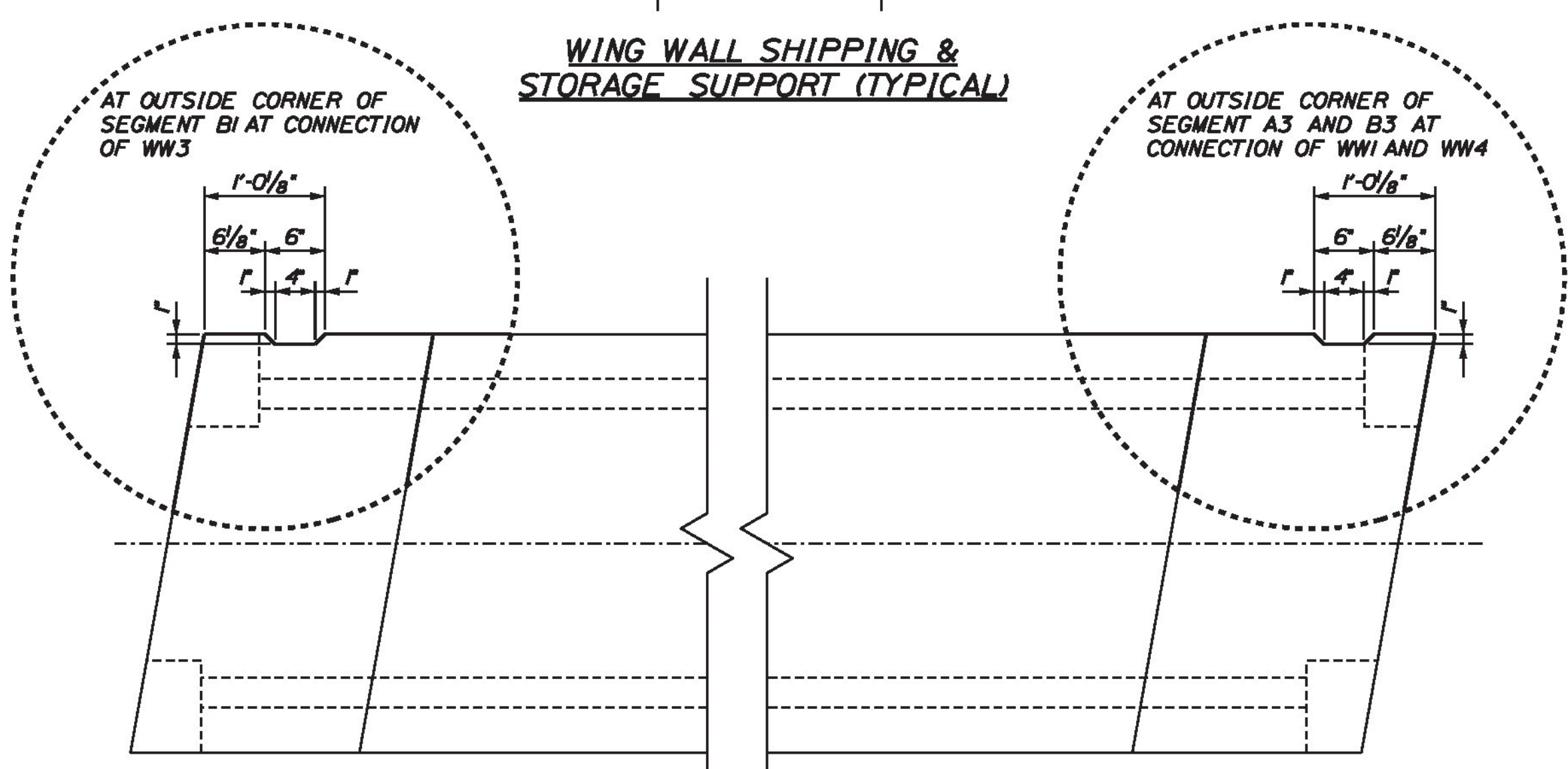


WING WALL SHIPPING & STORAGE SUPPORT (TYPICAL)

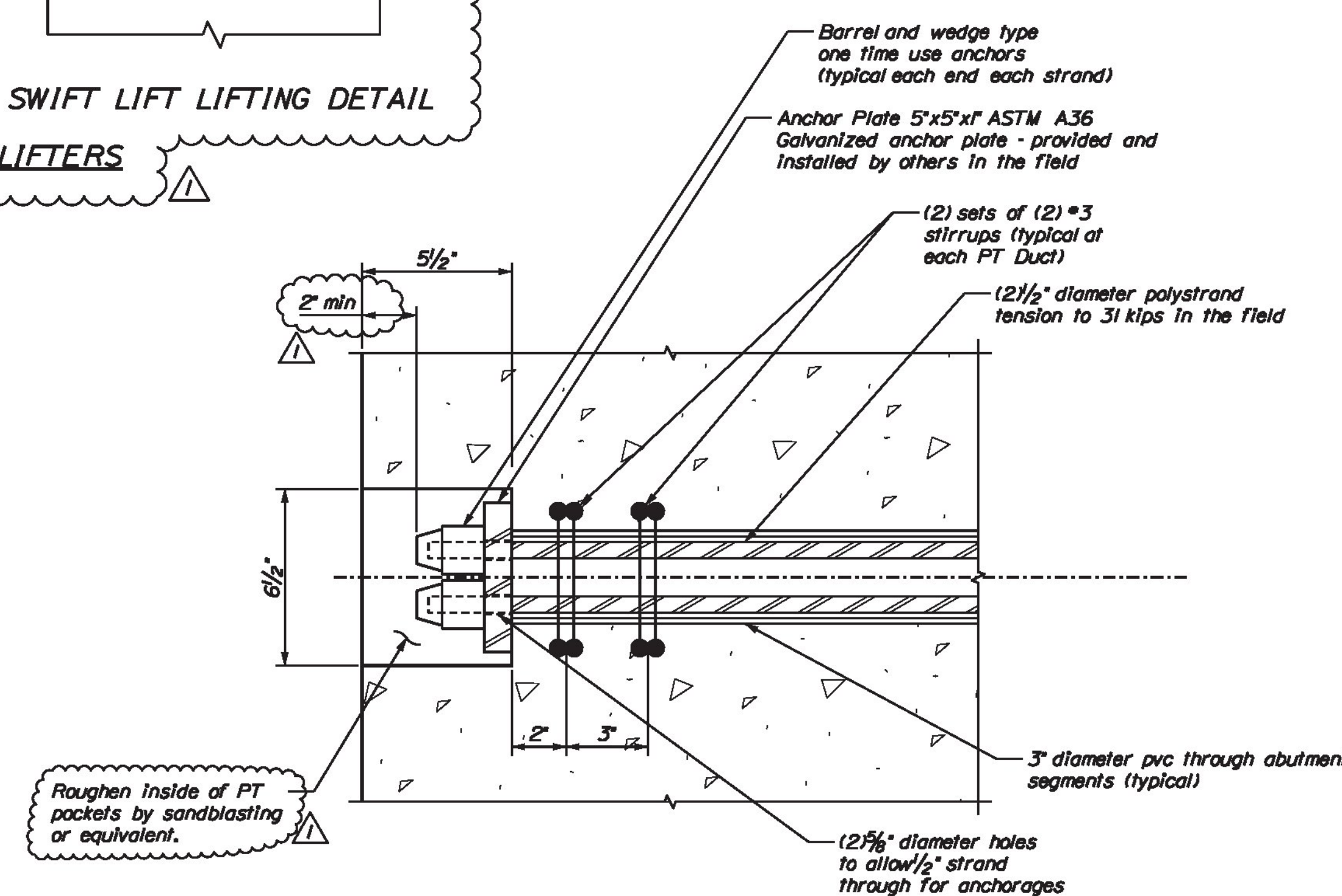


LIFTING DETAILS FOR LIFTERS

Vermont Agency of Transportation
RECEIVED
 CK'D BY NVDB, JW, KM, TM OK'D BY JG
 March 21, 2017
 RESUBMIT No Approved
 BY K. Higgins DATE 03/23/2017



SHEAR KEY GEOMETRY AT WING WALL CONNECTIONS



POST TENSIONING POCKET TYPICAL SECTION

CALDERWOOD ENGINEERING, ETC.
 STRUCTURAL ENGINEERING • DETAILING SERVICES
 222 RIVER RD, RICHMOND, ME 04357 PH/FX (207) 737-2007 / 1737-2008
 PREPARED FOR: **MILLER CONSTRUCTION**
 STRAFFORD BF 0177(10)

STATE OF VERMONT
 PROFESSIONAL ENGINEER
 NO. 824
 EXPIRES 12/31/2018

DATE	BY	REVISIONS	P.E. NUMBER	DATE
JAN 2017	ETC			
FEB 2017		ADDRESS VITAMS COMMENTS		
MAR 2017		ADDRESS VITAMS COMMENTS		
		REVISIONS 1		
		REVISIONS 2		
		REVISIONS 3		
		REVISIONS 4		
		FIELD CHANGES		

DESIGN/DETAIL/CHK'D/REV'D/RECEIVED

STRAFFORD VERMONT ABUTMENT SHOP DETAILS

MISCELLANEOUS DETAILS

SHEET NUMBER
2