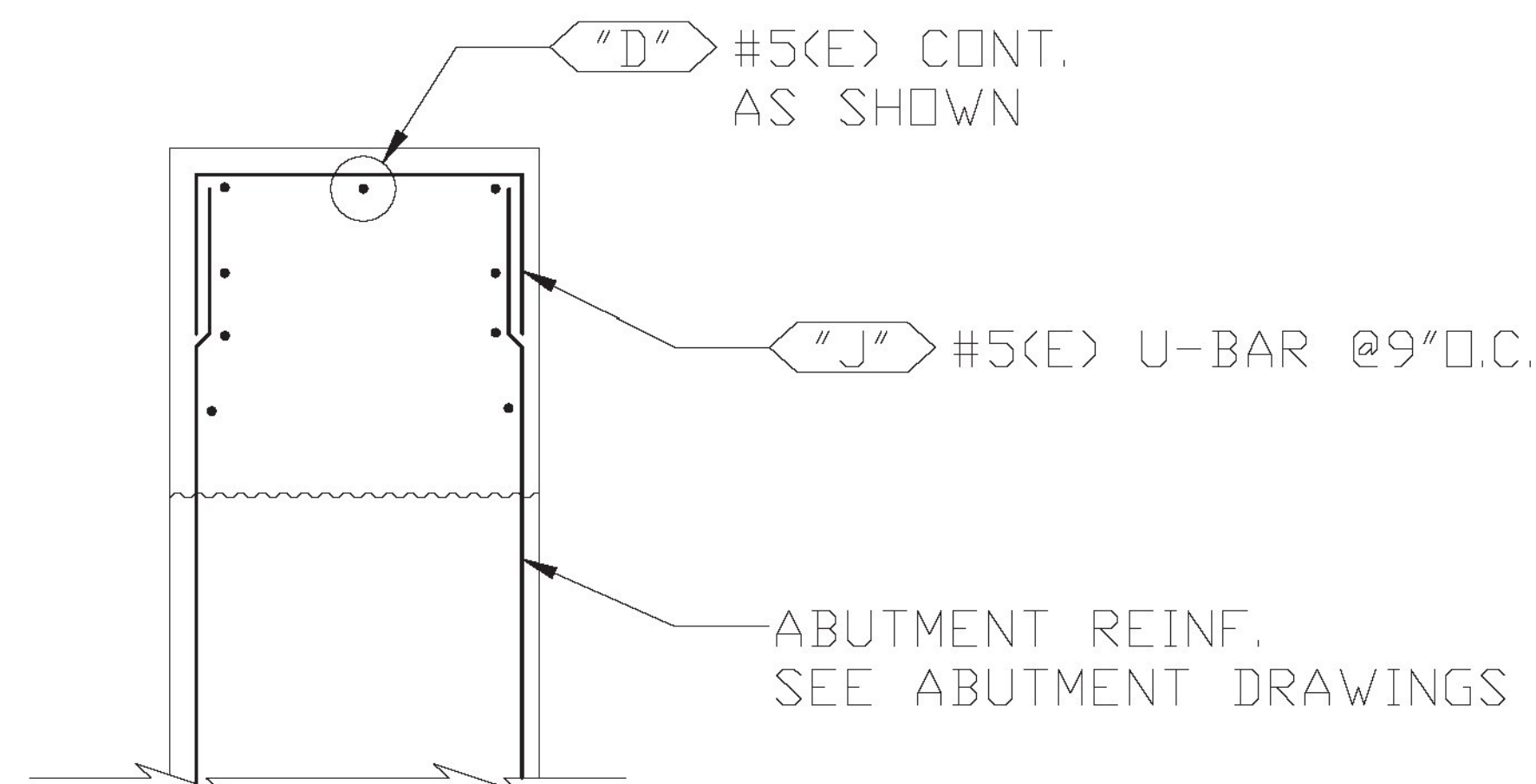


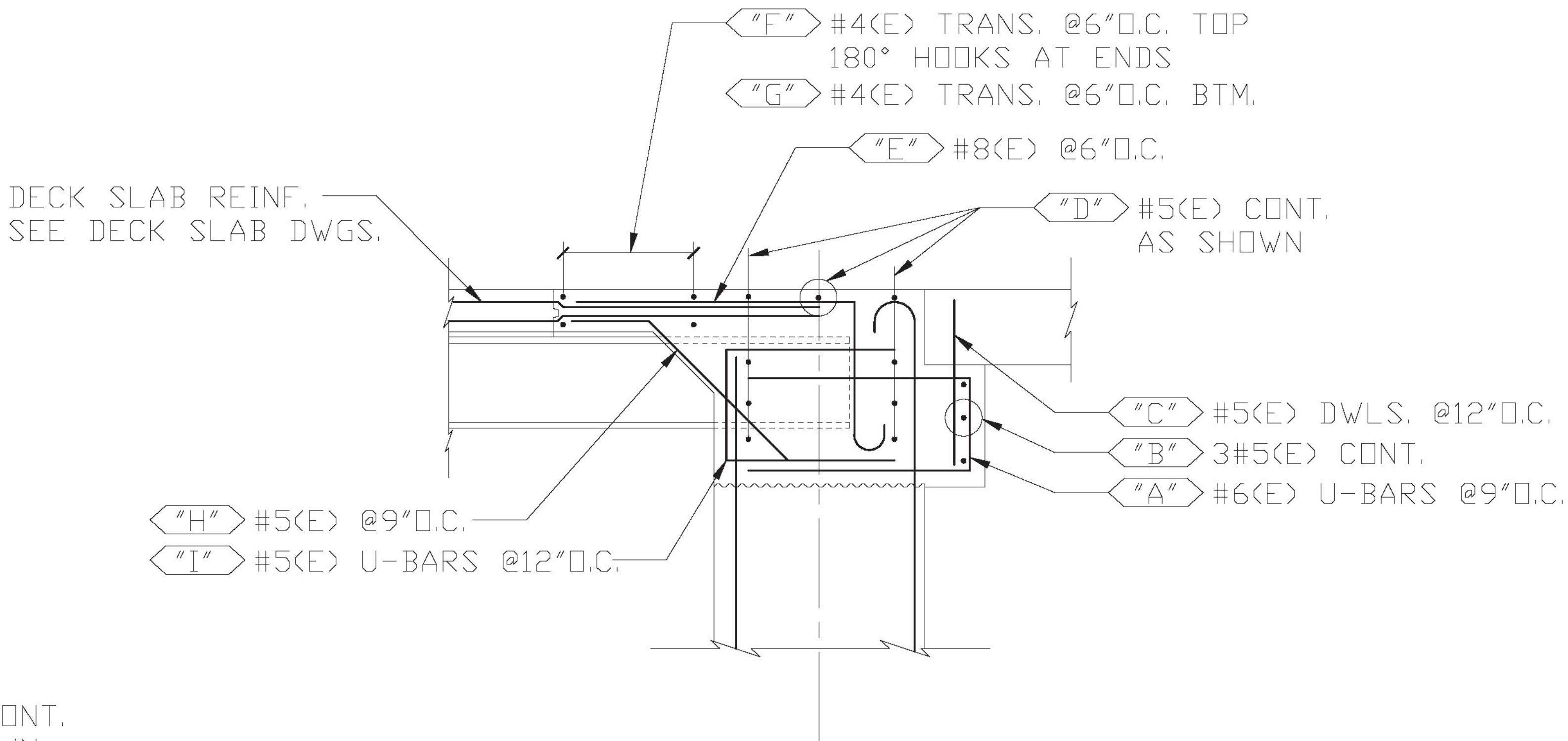
ADDITIONAL END REINF. - ELEVATION VIEW

CONTRACT DWG. REF. 27 OF 52



ABUTMENT ELEVATION @ CHEEKWALL

CONTRACT DWG. REF. 33 OF 52



ABUTMENT ELEVATION @ BRIDGE

CONTRACT DWG. REF. 27 OF 52 & 33 OF 52

FOR APPROVAL

WORK THIS DRAWING WITH DRAWINGS K, K1, & K3

EPOXY REINF. BARS ASTM A615 GRADE 60, MARKED (E). EPOXY COATING TO MEET AASHTO M284/ASTM A775.

REINF. BARS ASTM A615 GRADE 60

LEGEND:

| | |
|-------------------|----------------|
| CONT.-CONTINUOUS | E.E.-EACH END |
| TRANS.-TRANSVERSE | E.F.-EACH FACE |
| DWLS.-DOWELS | N.F.-NEAR FACE |
| VERTS.-VERTICAL | F.F.-FAR FACE |
| HORIZ.-HORIZONTAL | E.W.-EACH WAY |
| T&B -TOP & BOTTOM | O.C.-ON CENTER |
| I.F.-INNER FACE | L.W.-LONG WAY |
| O.F.-OUTER FACE | S.W.-SHORT WAY |

ELEVATIONS & DIMENSIONS SHOWN ON THIS DWG. ARE FOR REINF. DETAILING PURPOSES ONLY AND ARE NOT INTENDED FOR DIMENSIONAL CONSTRUCTION.

VERIFICATION OF UNCLEAR INFORMATION MAY BE REQUESTED ON THIS DRAWING. SHOULD VERIFICATION BE LEFT UN-ADDRESSED IT WILL REMAIN AS SHOWN AND ASSUME TO BE CORRECT.

Vermont Agency of Transportation

RECEIVED

CK'D BY TAM OK'D BY JDG

February 13, 2017

RESUBMIT No Approved
 BY K. Higgins DATE 02/24/2017

| | | | |
|--------------------------------|--------------------------------------|-----------|---|
| 6 | | | |
| 5 | | | |
| 4 | | | |
| 3 | 1/24/17 | - | NO CHANGE / REV. 1 FOR APPROVAL |
| 2 | 1/4/17 | ⚠ | REVISED PER APPROVAL / FOR APPROVAL |
| 1 | 12/16/16 | - | FOR APPROVAL |
| | DATE | REV.# | SENT FOR |
| | | | DIMENSION DIMENSION FABRICATORS INC. www.dimensionfabricators.com |
| | | | 2000 7TH STREET SCOTIA, N.Y. 12302 PH: (518) 374-1936 FAX (518) 374-4830 |
| STRUCTURE | VTAOT STRAFFORD BF0177(10) | | |
| LOCATION | TOWN OF STRAFFORD, ORANGE COUNTY, VT | | |
| ARCHITECT | | | |
| ENGINEER | | | |
| CUSTOMER | MILLER CONSTRUCTION | | |
| DRAWN BY | DATE | DFI # | |
| CMB | 12/14/16 | 10098 | |
| DRAWING COVERS | | DRAWING # | |
| ABUTMENT 2 - DECK CLOSURE POUR | | K2 | |