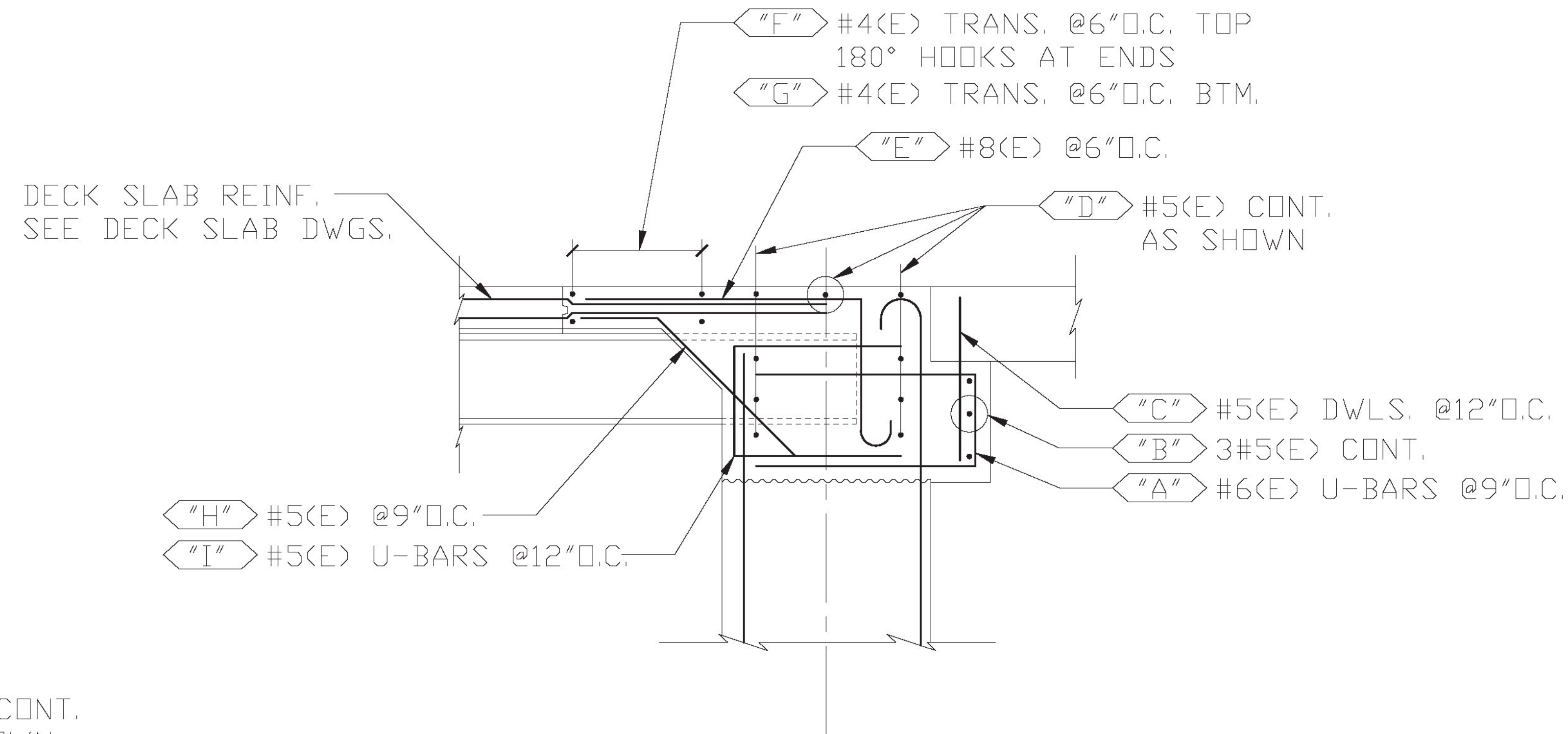


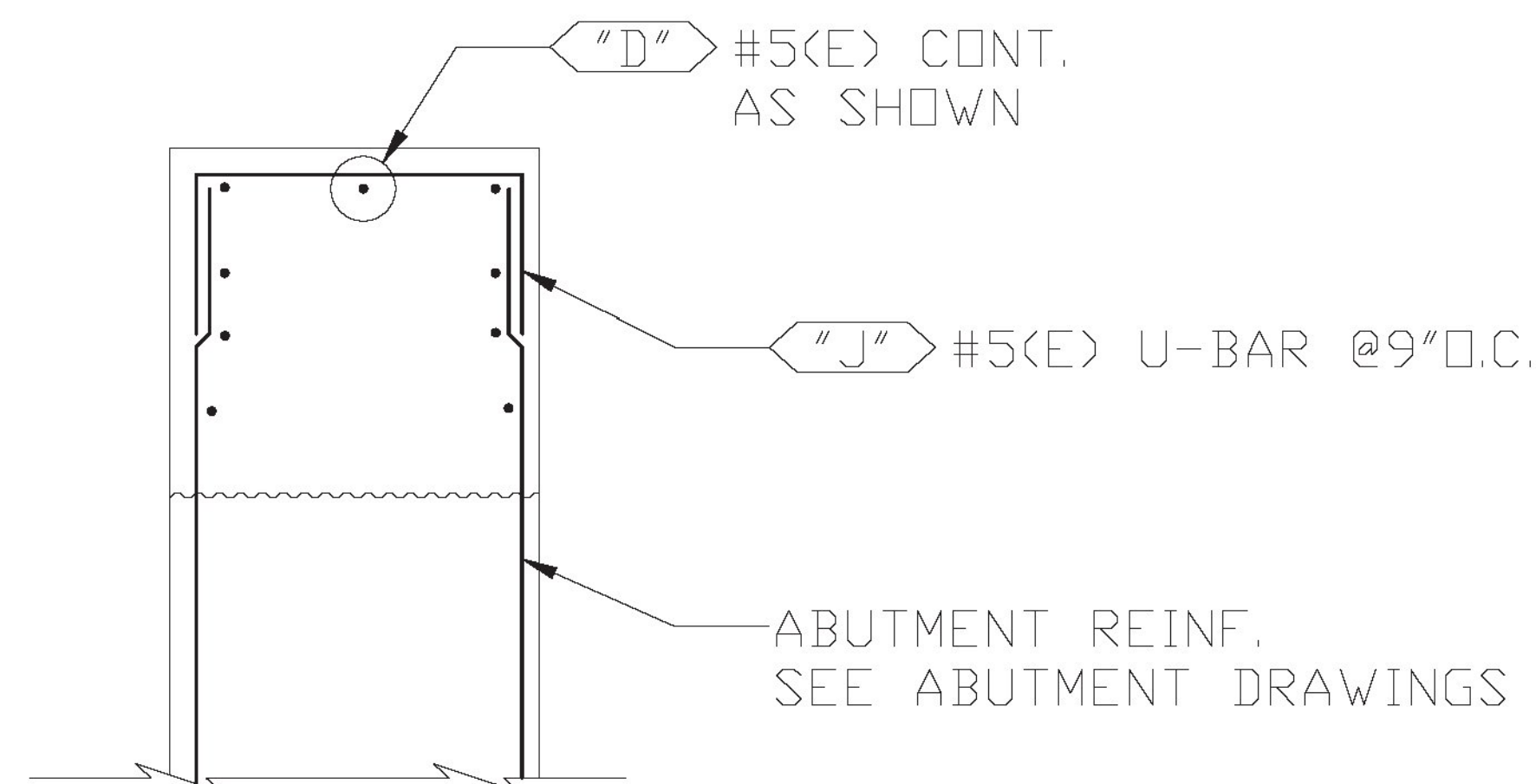
**ADDITIONAL END REINF. - ELEVATION VIEW**

CONTRACT DWG. REF. 27 OF 52



**ABUTMENT ELEVATION @ BRIDGE**

CONTRACT DWG. REF. 27 OF 52 & 33 OF 52



**ABUTMENT ELEVATION @ CHEEKWALL**

CONTRACT DWG. REF. 33 OF 52

**FOR APPROVAL**

WORK THIS DRAWING WITH DRAWINGS J, J1, & J3

**LEGEND:**

CONT.-CONTINUOUS	E.E.-EACH END
TRANS.-TRANSVERSE	E.F.-EACH FACE
DWLS.-DOWELS	N.F.-NEAR FACE
VERTS.-VERTICAL	F.F.-FAR FACE
HORIZ.-HORIZONTAL	E.W.-EACH WAY
T&B -TOP & BOTTOM	O.C.-ON CENTER
I.F.-INNER FACE	L.W.-LONG WAY
O.F.-OUTER FACE	S.W.-SHORT WAY

EPOXY REINF. BARS ASTM A615 GRADE 60, MARKED (E). EPOXY COATING TO MEET AASHTO M284/ASTM A775.

REINF. BARS ASTM A615 GRADE 60

ELEVATIONS & DIMENSIONS SHOWN ON THIS DWG. ARE FOR REINF. DETAILING PURPOSES ONLY AND ARE NOT INTENDED FOR DIMENSIONAL CONSTRUCTION.

VERIFICATION OF UNCLEAR INFORMATION MAY BE REQUESTED ON THIS DRAWING. SHOULD VERIFICATION BE LEFT UN-ADDRESSED IT WILL REMAIN AS SHOWN AND ASSUME TO BE CORRECT.

6			
5			
4			
3	1/24/17	-	NO CHANGE / REV. 1 FOR APPROVAL
2	1/4/17	▲	REVISED PER APPROVAL / FOR APPROVAL
1	12/16/16	-	FOR APPROVAL
	DATE	REV.#	SENT FOR
<b>DIMENSION</b> DIMENSION FABRICATORS INC. <small>2000 7TH STREET SCOTIA, N.Y. 12302 PH: (518) 374-1936 FAX (518) 374-4830 www.dimensionfabricators.com</small>			
STRUCTURE	VTAOT STRAFFORD BF0177(10)		
LOCATION	TOWN OF STRAFFORD, ORANGE COUNTY, VT		
ARCHITECT			
ENGINEER			
CUSTOMER	MILLER CONSTRUCTION		
DRAWN BY	DATE	DFI #	
CMB	12/14/16	10098	
DRAWING COVERS		DRAWING #	
ABUTMENT 1 - DECK CLOSURE POUR		J2	

Vermont Agency of Transportation  
**RECEIVED**

CK'D BY TAM OK'D BY JDG  
 February 13, 2017

RESUBMIT No Approved  
 BY K. Higgins DATE 02/24/2017