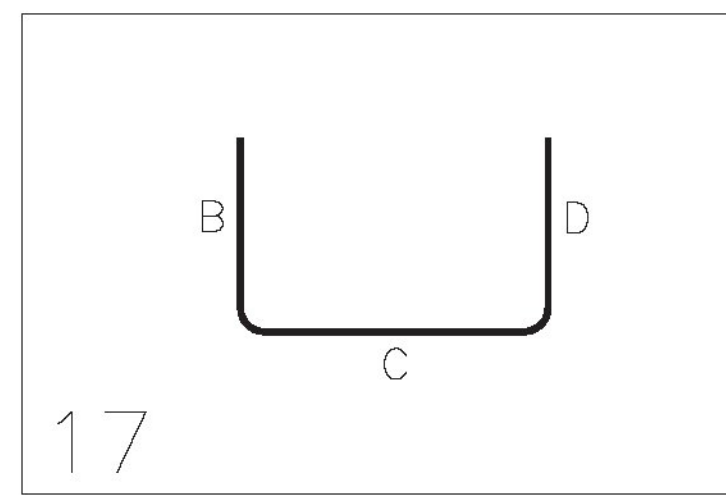
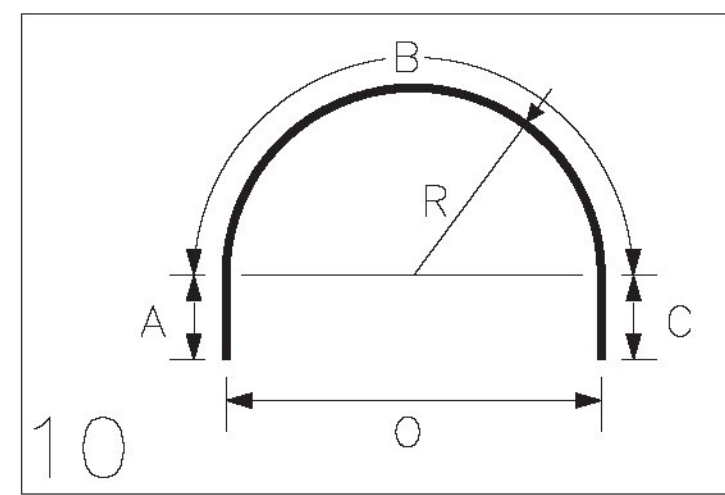


Release Number:

BAR LIST

Bar Mark	Qty	Size	Total Length	Type	'A'	'B'	'C'	'D'	'E'	'F'	'G'	'H'	'J'	'K'	'O'	'R'
4NE01	176	#4	5'-2 3/4"	10	2'-3 1/2"	0'-7 1/4"	2'-3 1/2"								0'-5"	0'-2 1/2"
4NE02	8	#4	6'-11"	17		3'-1"	0'-9"	3'-1"								



FOR APPROVAL

WORK THIS DRAWING WITH
DRAWING N & N1

LEGEND:

CONT.-CONTINUOUS	E.E.-EACH END
TRANS.-TRANSVERSE	E.F.-EACH FACE
DWLS.-DOWELS	N.F.-NEAR FACE
VERTS.-VERTICAL	F.F.-FAR FACE
HORIZ.-HORIZONTAL	E.W.-EACH WAY
T&B -TOP & BOTTOM	O.C.-ON CENTER
I.F.-INNER FACE	L.W.-LONG WAY
O.F.-OUTER FACE	S.W.-SHORT WAY

EPOXY REINF. BARS ASTM A615
GRADE 60, MARKED (E).
EPOXY COATING TO MEET AASHTO
M284/ASTM A775.

REINF. BARS ASTM A615 GRADE 60

ELEVATIONS & DIMENSIONS SHOWN
ON THIS DWG. ARE FOR REINF.
DETAILING PURPOSES ONLY AND ARE
NOT INTENDED FOR DIMENSIONAL
CONSTRUCTION.

VERIFICATION OF UNCLEAR INFORMATION
MAY BE REQUESTED ON THIS DRAWING.
SHOULD VERIFICATION BE LEFT
UN-ADDRESSED IT WILL REMAIN AS
SHOWN AND ASSUME TO BE CORRECT.

Vermont Agency of Transportation
RECEIVED
Revised 01/17/10; CP Reinforcing Schedule 2-13-2017.pdf
CK'D BY TAM OK'D BY JDG
February 13, 2017
RESUBMIT No Approved
BY K. Higgins DATE 02/24/2017

6			
5			
4			
3	1/24/17	-	NO CHANGE / REV. 1 FOR APPROVAL
2	1/4/17		REVISED PER APPROVAL / FOR APPROVAL
1	12/16/16	-	FOR APPROVAL
	DATE	REV.#	SENT FOR
DIMENSION DIMENSION FABRICATORS INC. <small>2000 7TH STREET SCOTIA, N.Y. 12302 PH: (518) 374-1936 FAX (518) 374-4830 www.dimensionfabricators.com</small>			
STRUCTURE	VTAOT STRAFFORD BF0177(10)		
LOCATION	TOWN OF STRAFFORD, ORANGE COUNTY, VT		
ARCHITECT			
ENGINEER			
CUSTOMER	MILLER CONSTRUCTION		
DRAWN BY	DATE	DFI #	
CMB	12/15/16	10098	
DRAWING COVERS		DRAWING #	
BRIDGE BARRIER		N2	