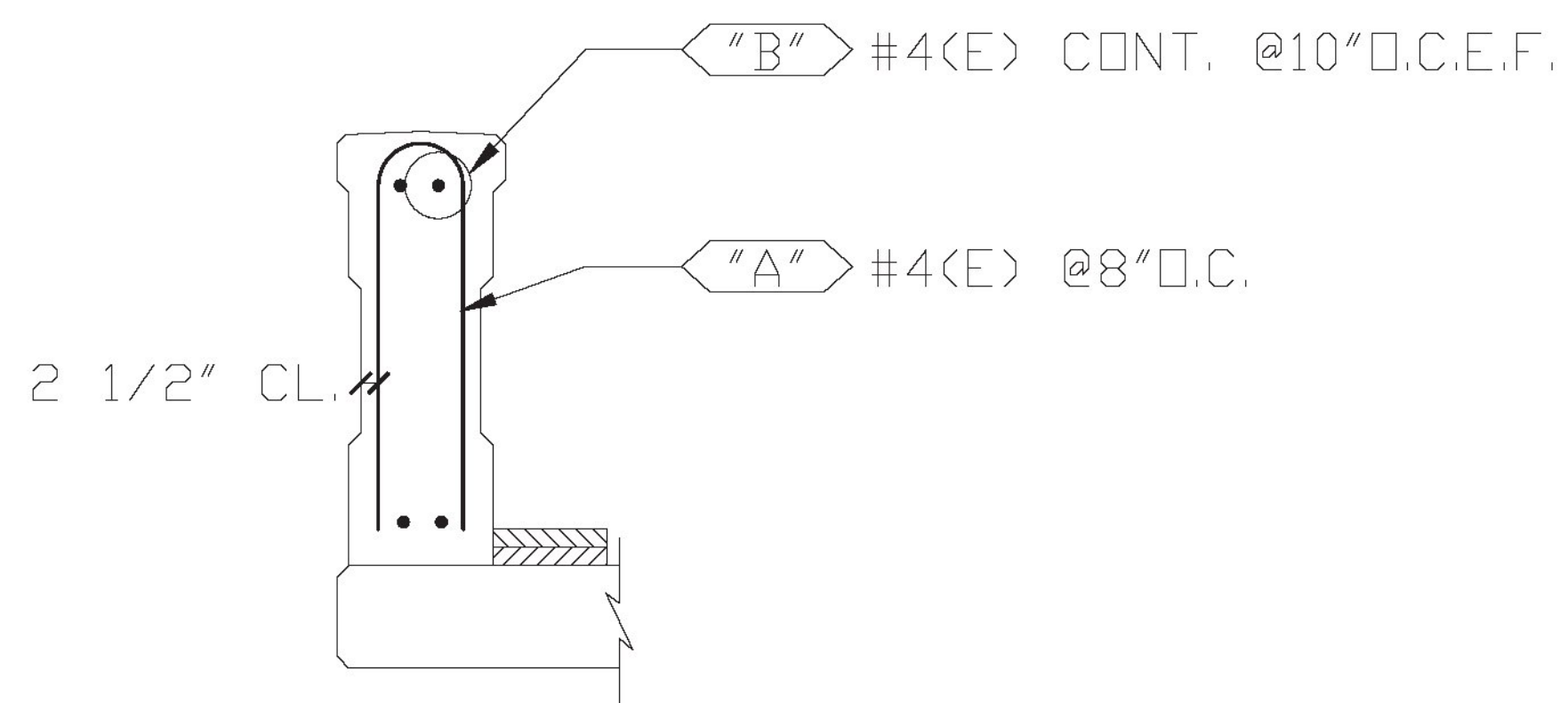


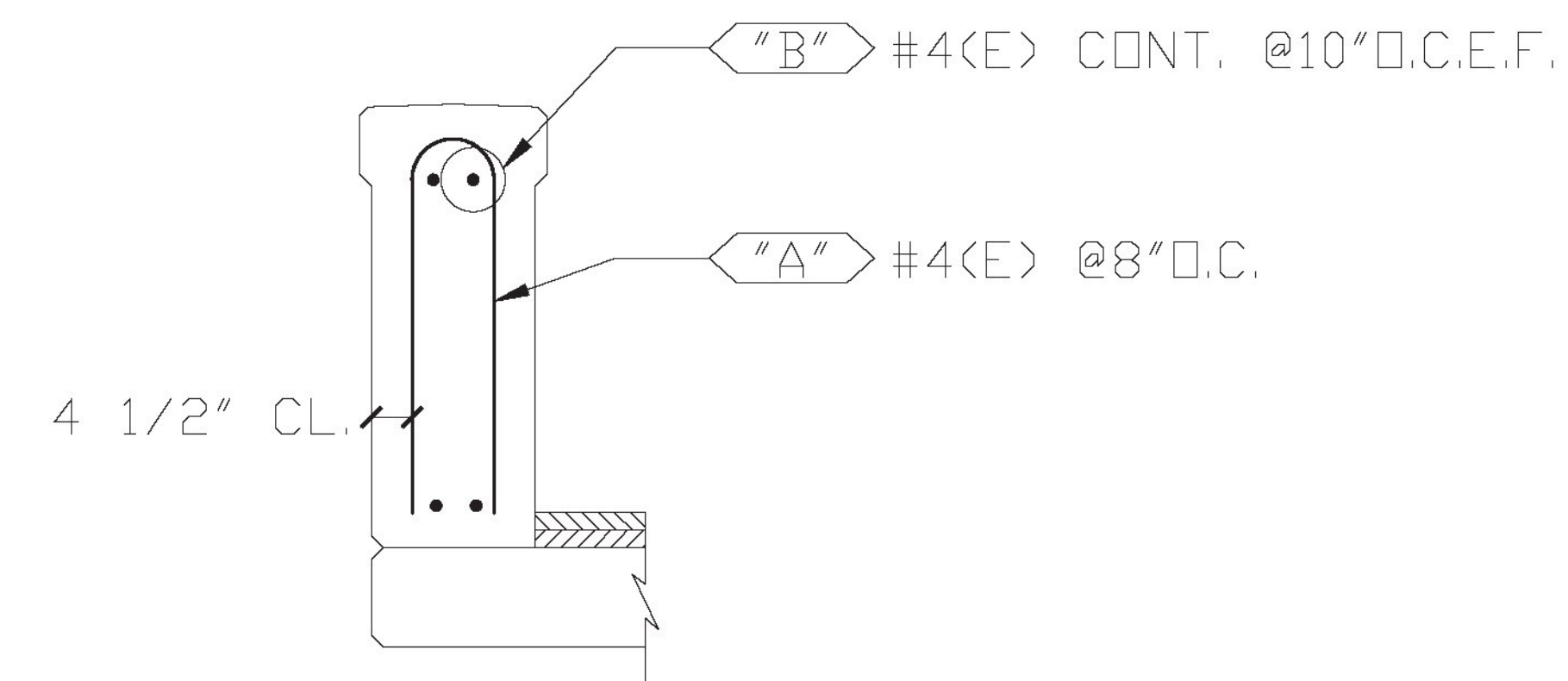
SECTION C

CONTRACT DWG. REF. C-C / 22 OF 52



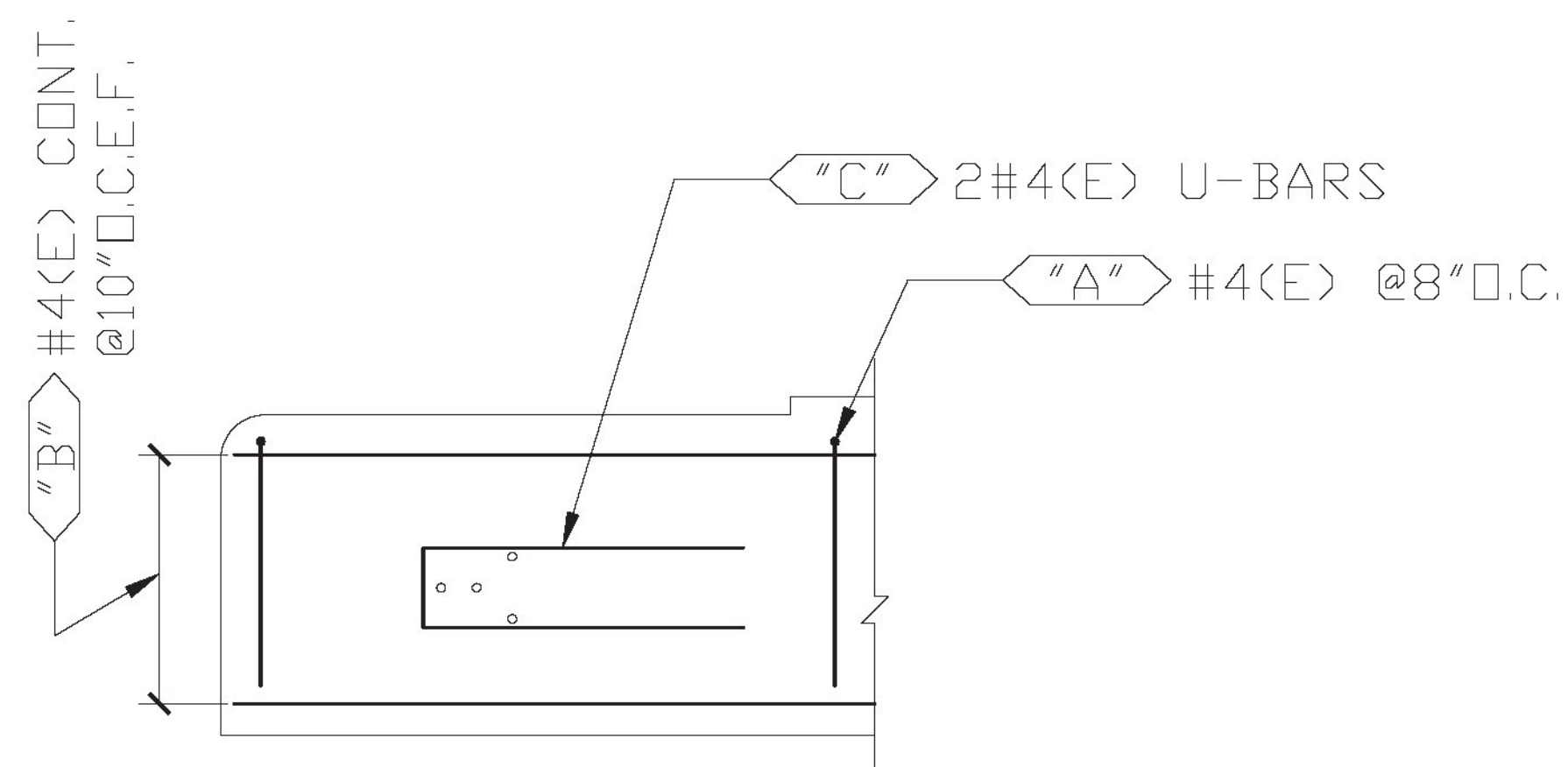
SECTION B

CONTRACT DWG. REF. B-B / 22 OF 52



SECTION A

CONTRACT DWG. REF. A-A / 22 OF 52



TYPICAL REINFORCING PLACEMENT

CONTRACT DWG. REF. 22 OF 52

FOR APPROVAL

WORK THIS DRAWING WITH DRAWING N & N2

LEGEND:

CONT.-CONTINUOUS	E.E.-EACH END
TRANS.-TRANSVERSE	E.F.-EACH FACE
DWLS.-DOWELS	N.F.-NEAR FACE
VERTS.-VERTICAL	F.F.-FAR FACE
HORIZ.-HORIZONTAL	E.W.-EACH WAY
T&B -TOP & BOTTOM	O.C.-ON CENTER
I.F.-INNER FACE	L.W.-LONG WAY
O.F.-OUTER FACE	S.W.-SHORT WAY

EPOXY REINF. BARS ASTM A615 GRADE 60, MARKED (E).
EPOXY COATING TO MEET AASHTO M284/ASTM A775.

REINF. BARS ASTM A615 GRADE 60

ELEVATIONS & DIMENSIONS SHOWN ON THIS DWG. ARE FOR REINF. DETAILING PURPOSES ONLY AND ARE NOT INTENDED FOR DIMENSIONAL CONSTRUCTION.

VERIFICATION OF UNCLEAR INFORMATION MAY BE REQUESTED ON THIS DRAWING. SHOULD VERIFICATION BE LEFT UN-ADDRESSED IT WILL REMAIN AS SHOWN AND ASSUME TO BE CORRECT.

6			
5			
4			
3	1/24/17	-	NO CHANGE / REV. 1 FOR APPROVAL
2	1/4/17	▲	REVISED PER APPROVAL / FOR APPROVAL
1	12/16/16	-	FOR APPROVAL
	DATE	REV.#	SENT FOR
DIMENSION DIMENSION FABRICATORS INC.			
2000 7TH STREET SCOTIA, N.Y. 12302 PH: (518) 374-1936 FAX (518) 374-4830 www.dimensionfabricators.com			
STRUCTURE	VTAOT STRAFFORD BF0177(10)		
LOCATION	TOWN OF STRAFFORD, ORANGE COUNTY, VT		
ARCHITECT			
ENGINEER			
CUSTOMER	MILLER CONSTRUCTION		
DRAWN BY	DATE	DFI #	
CMB	12/15/16	10098	
DRAWING COVERS			DRAWING #
BRIDGE BARRIER			N1

Vermont Agency of Transportation

RECEIVED

CK'D BY TAM OK'D BY JDG

February 13, 2017

RESUBMIT No Approved
BY K. Higgins DATE 02/24/2017