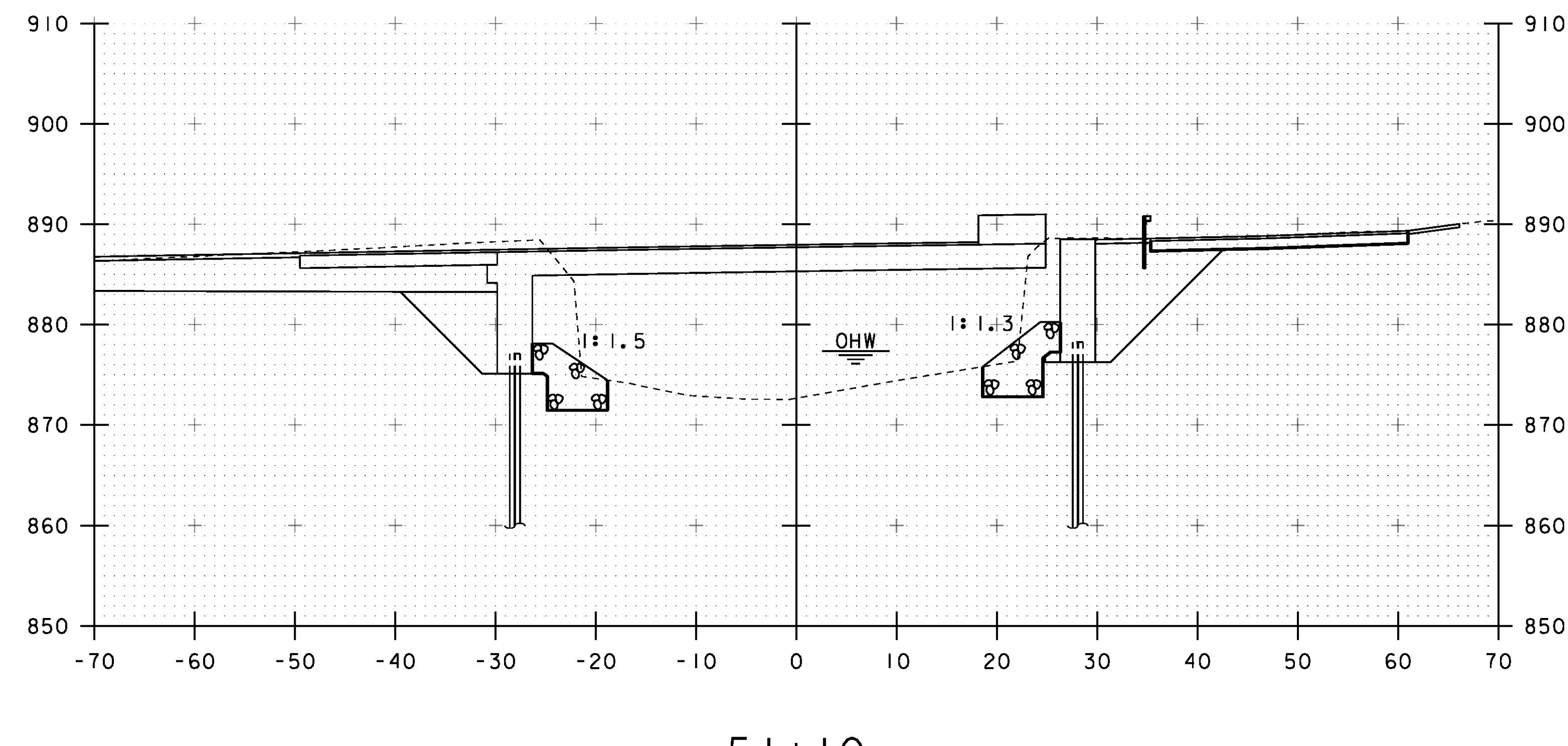
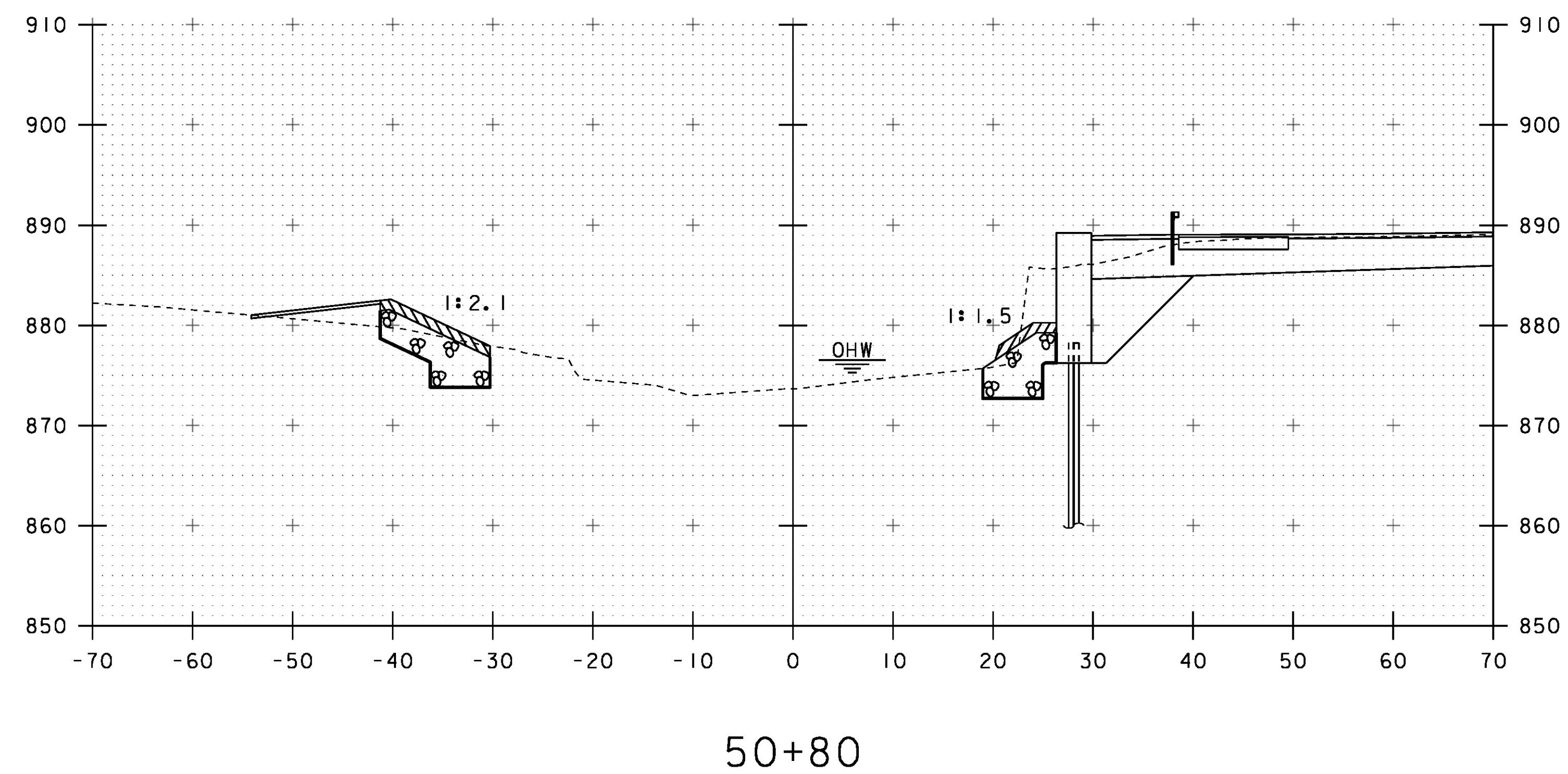


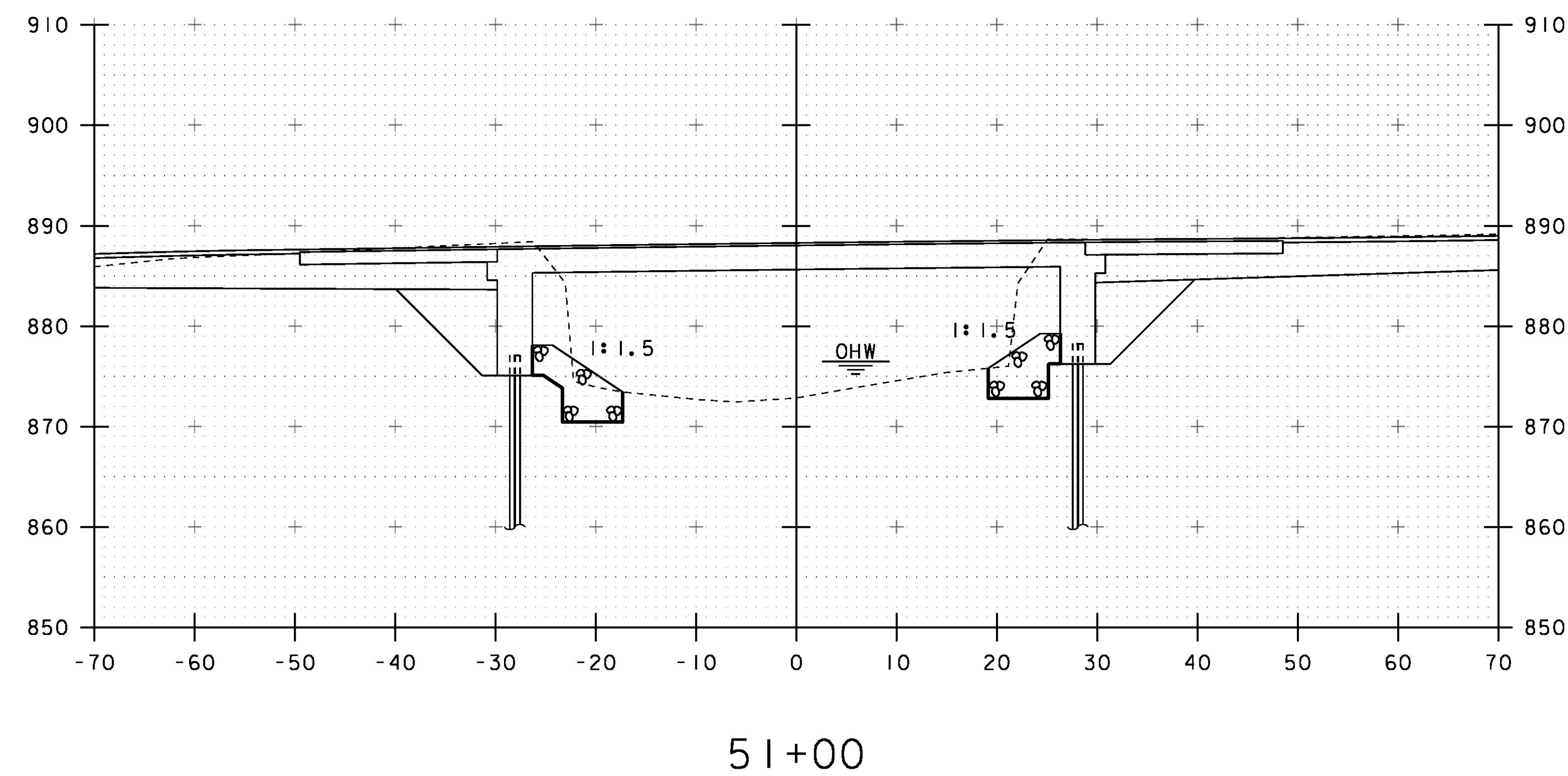
50+90



51+10



50+80



51+00

PROJECT NAME:	STRAFFORD
PROJECT NUMBER:	BF 0177(10)
FILE NAME:	sl3j088xsl.dgn
PROJECT LEADER:	K. HIGGINS
DESIGNED BY:	J. GRIGAS
CHANNEL SECTIONS 3	
PLOT DATE:	31-AUG-2016
DRAWN BY:	J. GRIGAS
CHECKED BY:	T. MATTHEWS
SHEET	44 OF 52

STA. 50+80 TO STA. 51+10