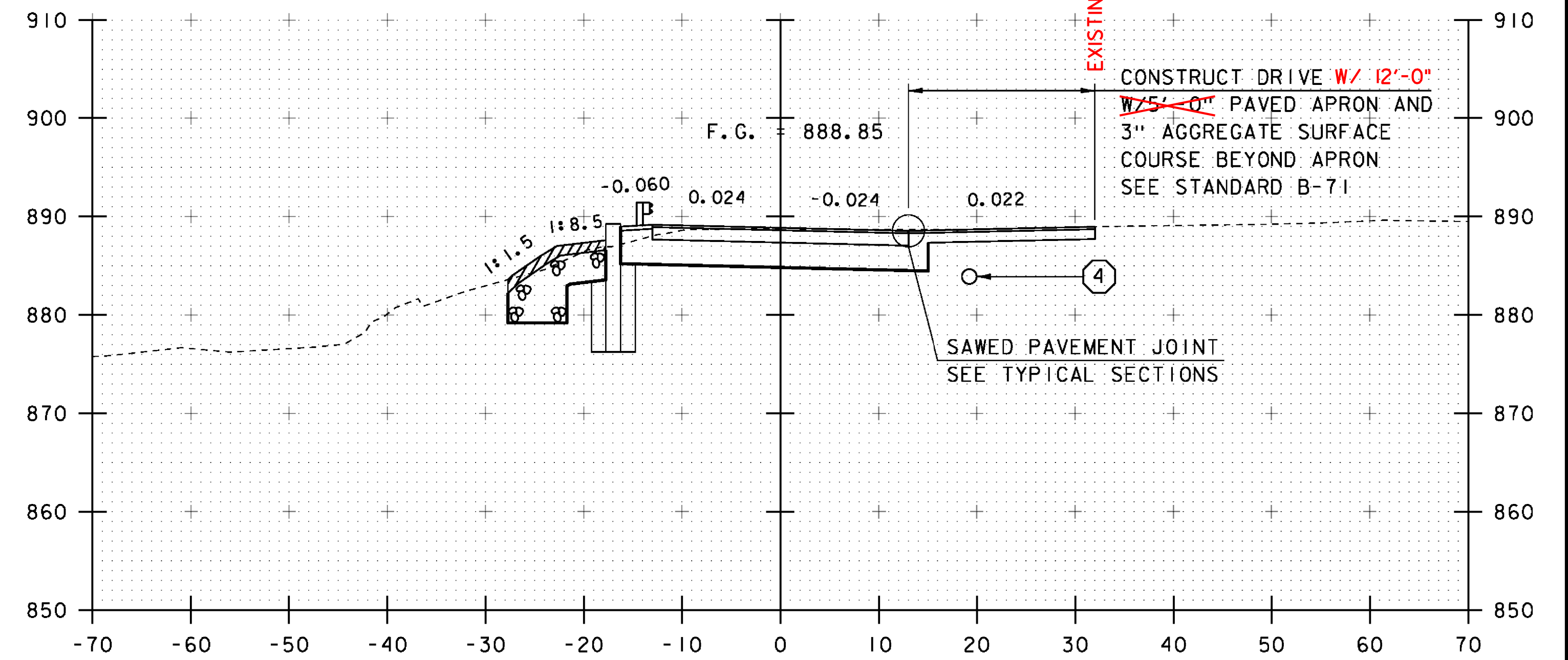
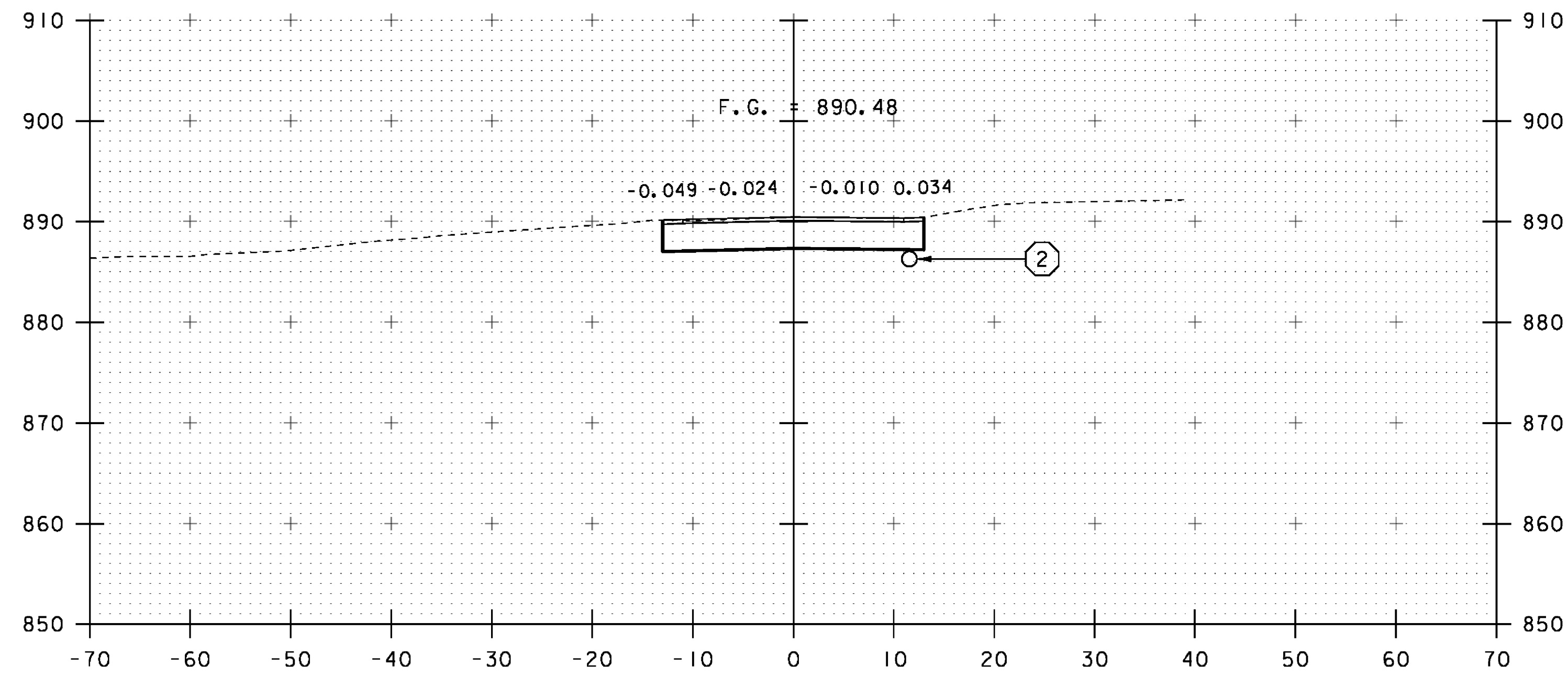


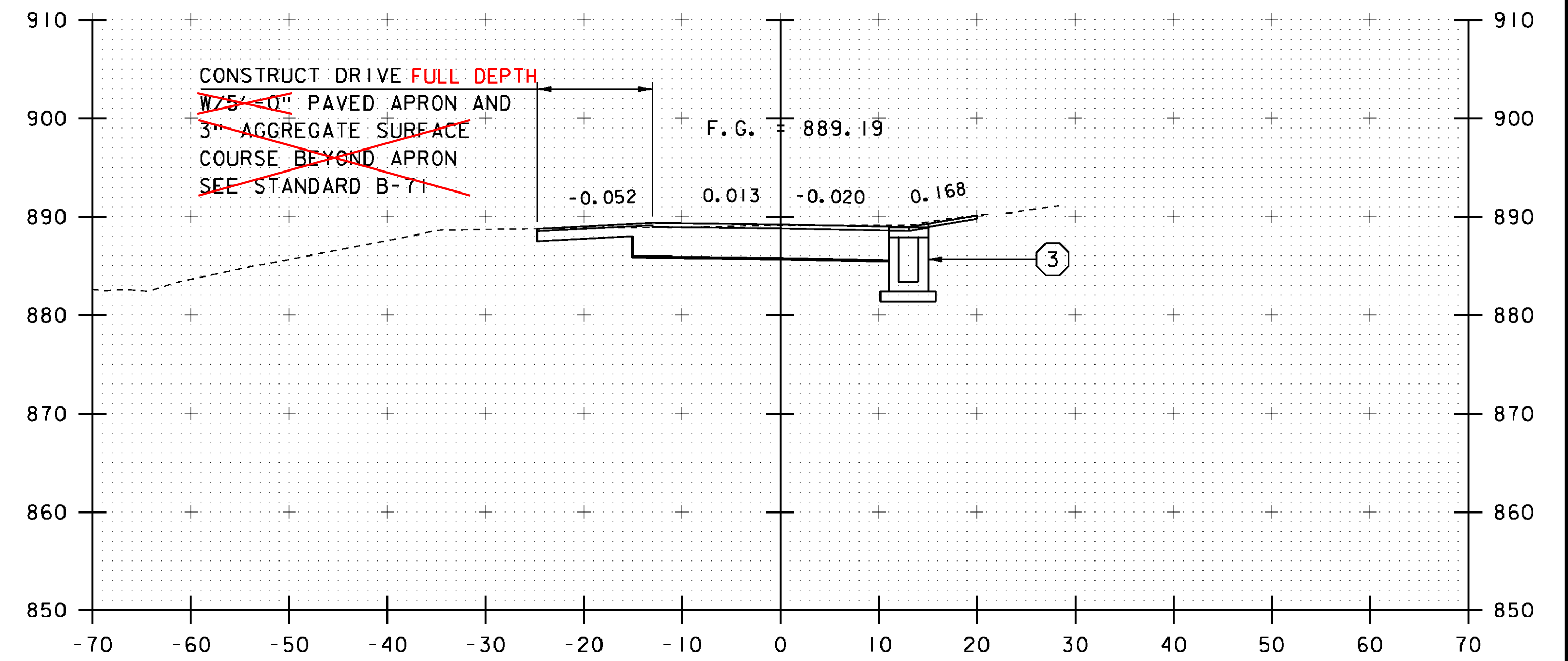
11+25



11+75
BEGIN BRIDGE STA 11+85.22



11+00
BEGIN PROJECT



11+50

STA. 11+00 TO STA. 11+75

PROJECT NAME:	STRAFFORD	PLOT DATE:	31-AUG-2016
PROJECT NUMBER:	BF 0177(10)	DRAWN BY:	J. GRIGAS
FILE NAME:	s13J088xsl.dgn	CHECKED BY:	T. MATTHEWS
PROJECT LEADER:	K. HIGGINS	SHEET	37 OF 52
DESIGNED BY:	J. GRIGAS	MAINLINE SECTIONS 2	