

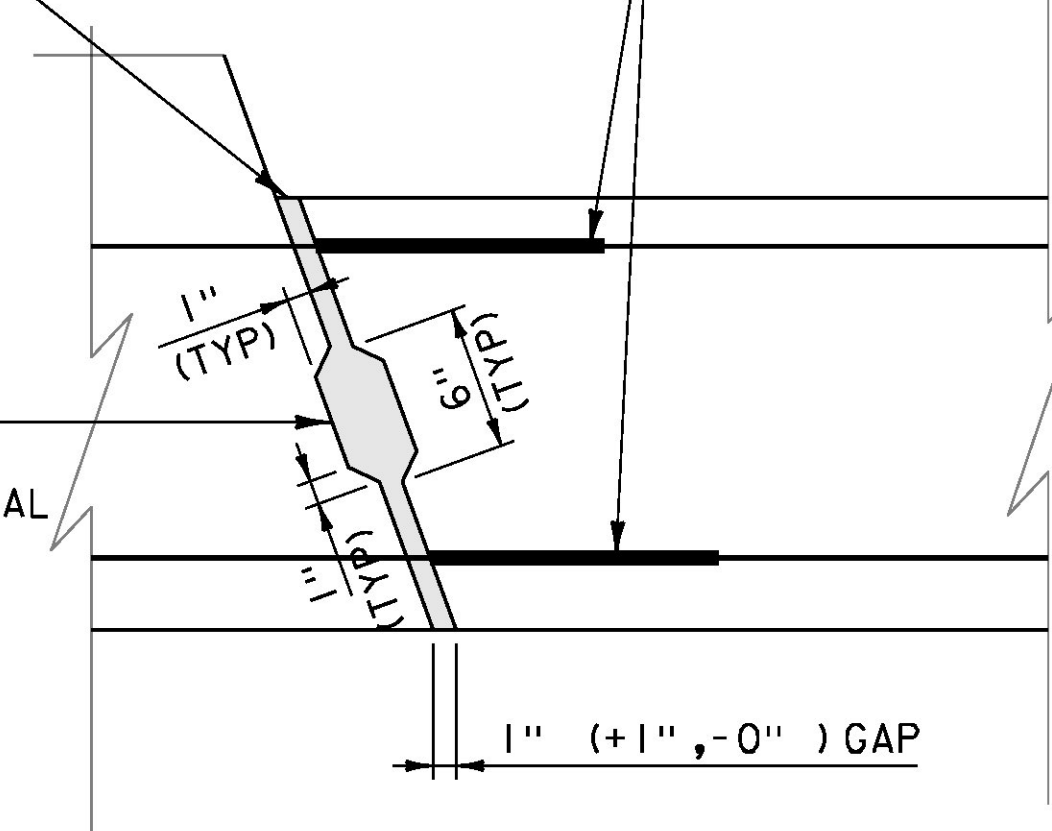
WING WALL PLAN

SCALE 1/2" = 1'-0"

APPLY JOINT SEALER, POLYURETHANE (EACH FACE)

FILL JOINT WITH MORTAR, TYPE IV AFTER SECURING MECHANICAL CONNECTION

MECHANICAL SPLICE CONNECTION AS PER SUBSECTION 713.02



WING WALL CONNECTION DETAIL

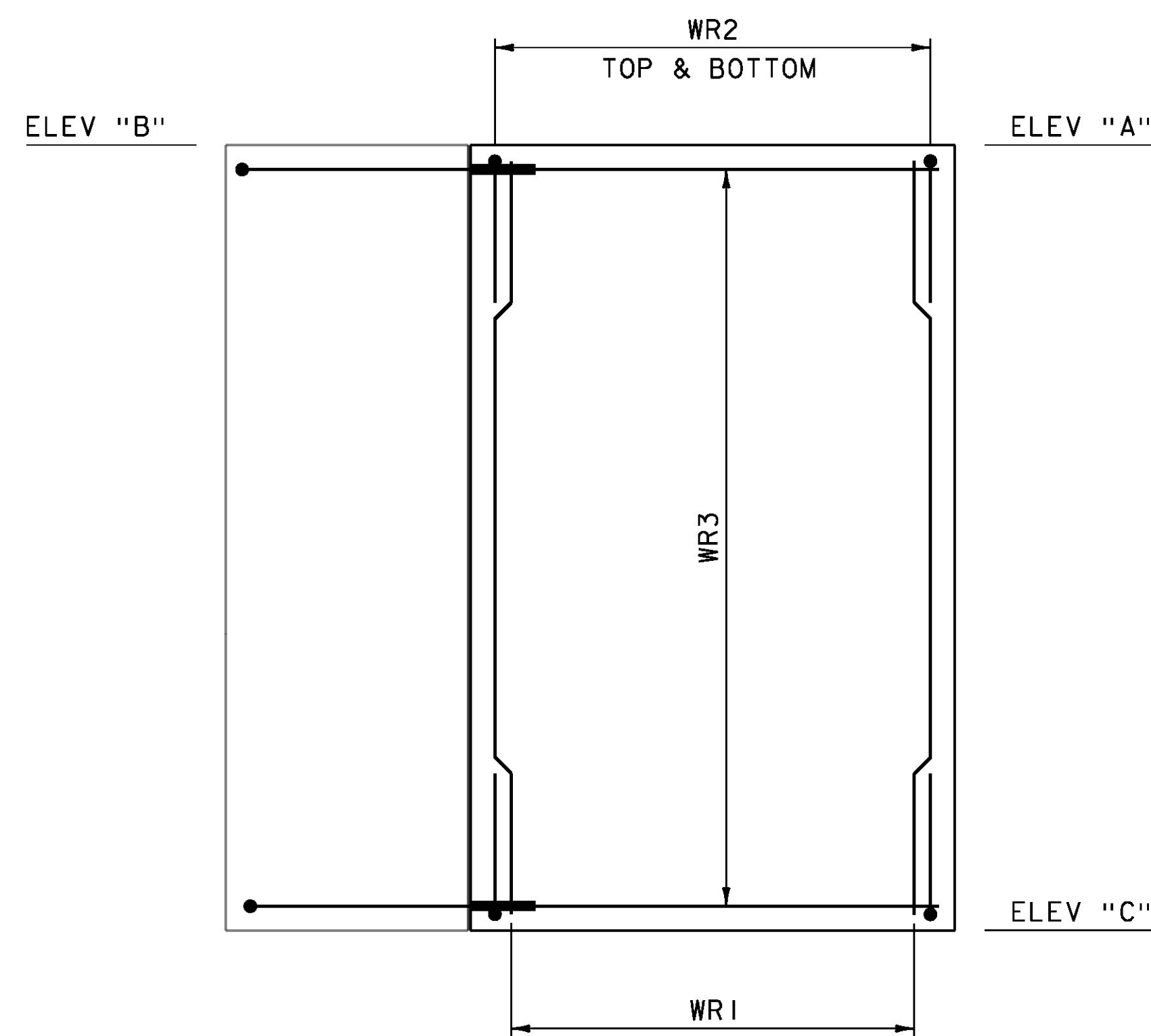
SCALE 1/2" = 1'-0"

PCU 3-5 ELEVATIONS

	WW1 (PCU 3)	WW3 (PCU 4)	WW4 (PCU 5)
ELEV "A"	889.25	888.10	887.35
ELEV "B"	889.25	888.60	887.85
ELEV "C"	876.25	875.10	875.10
DIST "W"	1'-6"	1'-6"	1'-6"
DIST "1"	9'-11"	9'-7 7/8"	9'-11"
DIST "0"	9'-7 7/8"	9'-11"	9'-7 7/8"
ANGLE "D"	80°	100°	80°

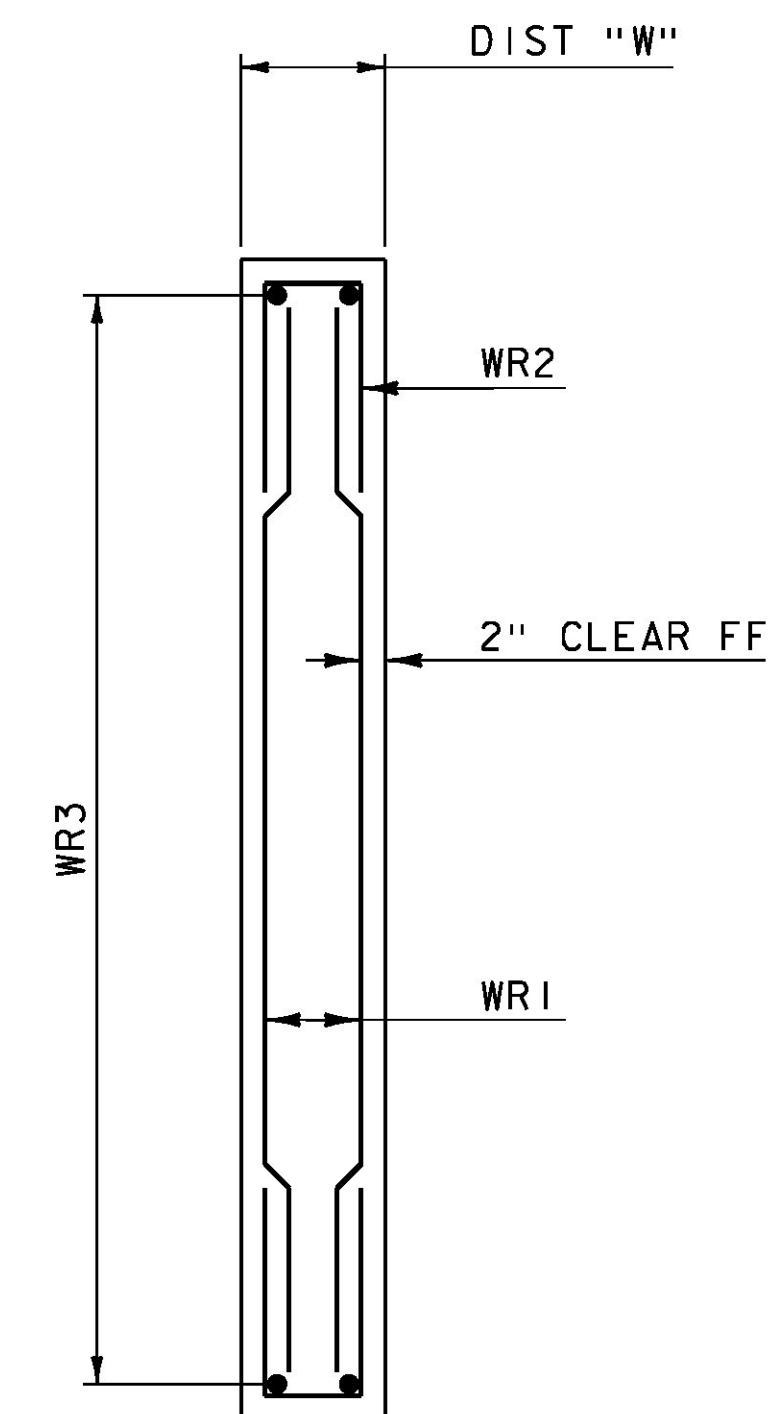
WING WALL REINFORCING

BAR	SIZE	SPACING	FACE	TYPE
WR1	5	9"	EF	STR
WR2	5	9"	EF	S10
WR3	5	9"	EF	STR



WING WALL ELEVATION

SCALE 1/2" = 1'-0"



WING WALL TYPICAL

SCALE 1/2" = 1'-0"

█ MORTAR, TYPE IV*

* PAYMENT FOR MORTAR, TYPE IV WILL BE INCLUDED IN THE APPROPRIATE PRECAST BID ITEM

NOTE:

NF = NEAR FACE
 FF = FAR FACE
 EF = EACH FACE
 ▲ = CUT TO FIT IN FIELD
 3" CLEAR, UNLESS OTHERWISE SPECIFIED ON THE PLANS.
 2'-7" BAR LAP UNLESS OTHERWISE SPECIFIED ON THE PLANS.

PROJECT NAME: STRAFFORD	PLOT DATE: 31-AUG-2016
PROJECT NUMBER: BF 0177(10)	DRAWN BY: J. GRIGAS
FILE NAME: s13j088ww.dgn	CHECKED BY: G. LAROCHE
PROJECT LEADER: K. HIGGINS	SHEET 34 OF 52
DESIGNED BY: J. GRIGAS	
WING WALL DETAILS SHEET	