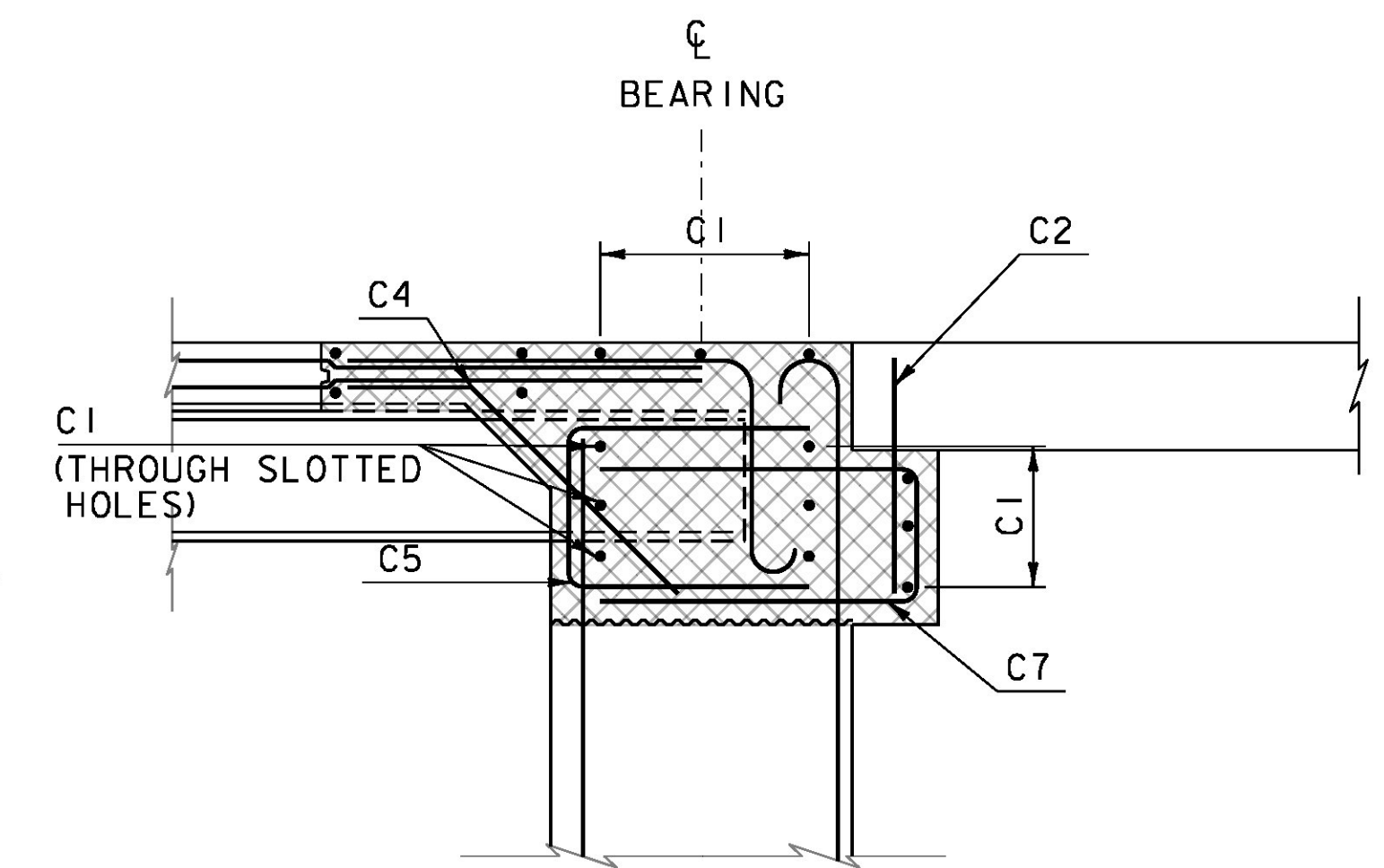


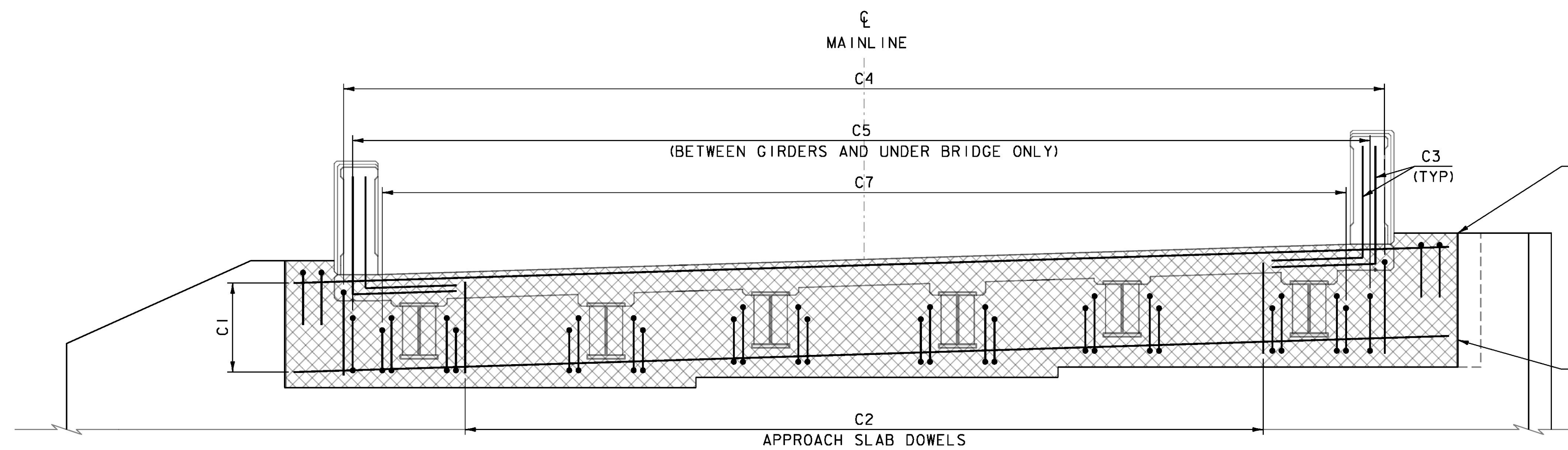
DECK CLOSURE POUR REINFORCING PLAN

SCALE 1/2" = 1'-0



ABUTMENT ELEVATION AT BRIDGE

SCALE 1/2" = 1'-0

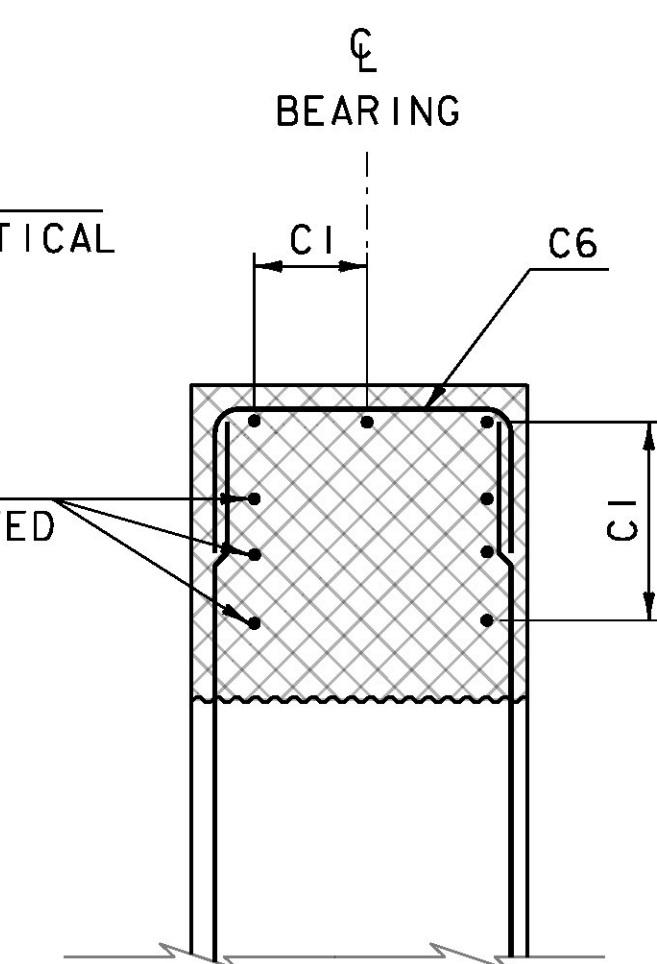


DECK CLOSURE POUR REINFORCING ELEVATION

SCALE 1/2" = 1'-0

APPLY JOINT SEALER, POLYURETHANE AT VERTICAL CONSTRUCTION JOINT (EACH FACE) (TYP)

1/2" CORK (TYP)



ABUTMENT ELEVATION AT CHEEKWALL

SCALE 1/2" = 1'-0

CLOSURE POUR REINFORCING

BAR	SIZE	SPACING	FACE	TYPE
C1	5	AS SHOWN	EF	STR
C2	5	12"	FF	STR
C3	4	8"	---	20
C4	5	9"	---	19
C5	5	12"	---	S10
C6	5	9"	---	S10
C7	6	9"	---	S10

NOTE:

NF = NEAR FACE  
 FF = FAR FACE  
 EF = EACH FACE  
 3" CLEAR, UNLESS OTHERWISE SPECIFIED ON THE PLANS.  
 2'-7" #5 LAP LENGTH  
 1'-9" C6 LEG LENGTH

PROJECT NAME: STRAFFORD  
 PROJECT NUMBER: BF 0177(10)

FILE NAME: s13j088closur@pour.dgn  
 PROJECT LEADER: K. HIGGINS  
 DESIGNED BY: J. GRIGAS  
 CLOSURE POUR SHEET

PLOT DATE: 31-AUG-2016  
 DRAWN BY: J. GRIGAS  
 CHECKED BY: G. LAROCHE  
 SHEET 33 OF 52