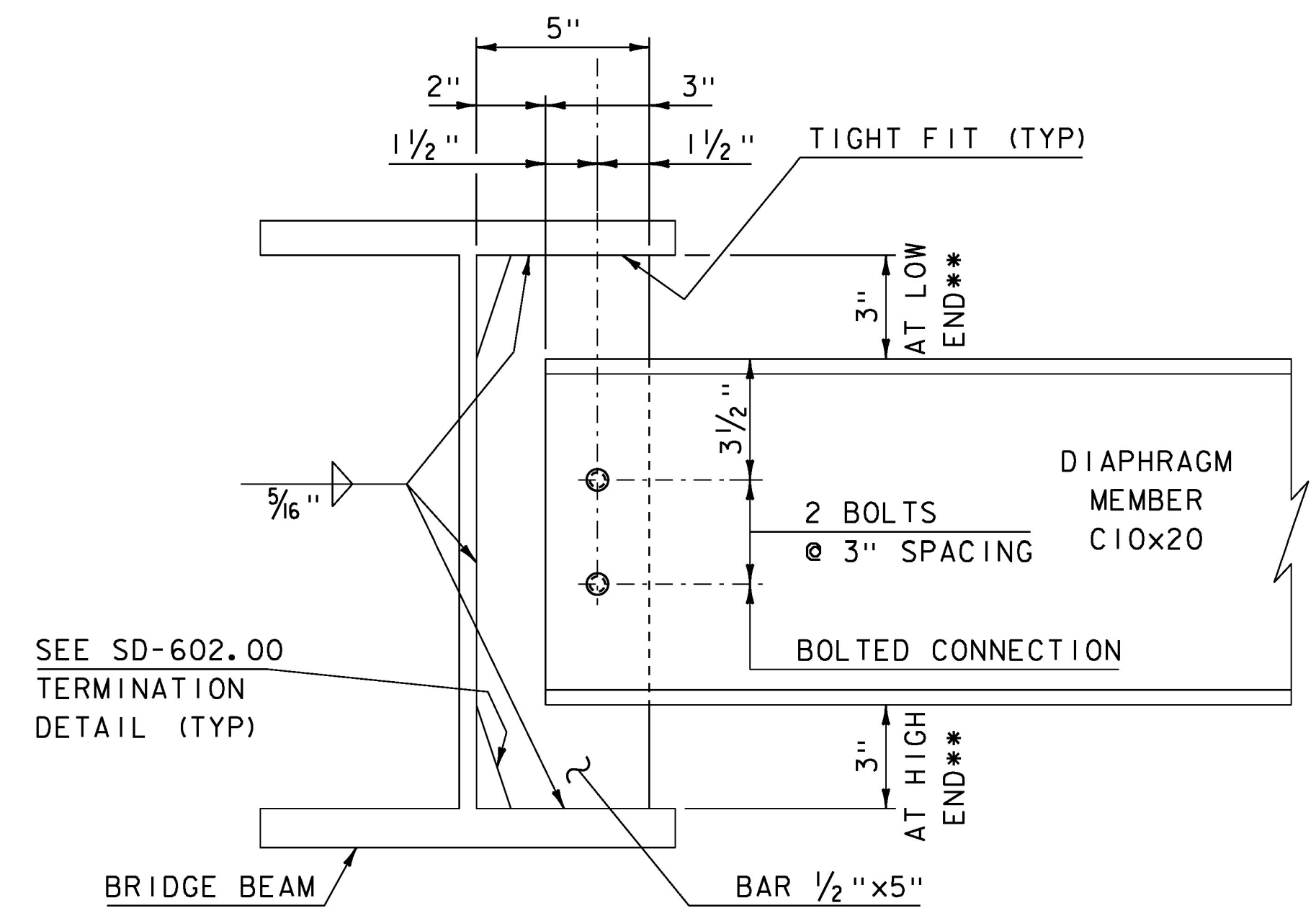


CAMBER DIAGRAM

NOT TO SCALE
SEE TABLES BELOW

	0	0.1L	0.2L	0.3L	0.4L	0.5L	0.6L	0.7L	0.8L	0.9L	L
Steel Deflection	0	3/16	5/16	7/16	1/2	1/2	1/2	7/16	5/16	3/16	0
Slab & Super Deflection	0	13/16	1 1/2	2 1/16	2 3/8	2 1/2	2 3/8	2 1/16	1 1/2	13/16	0
Total Deflection	0	15/16	1 13/16	2 1/2	2 7/8	3 1/16	2 7/8	2 1/2	1 13/16	15/16	0
Residual Camber	0	3/8	5/8	13/16	15/16	1	15/16	13/16	5/8	3/8	0
Total Camber	0	1 5/16	2 7/16	3 5/16	3 7/8	4 1/16	3 7/8	3 5/16	2 7/16	1 5/16	0

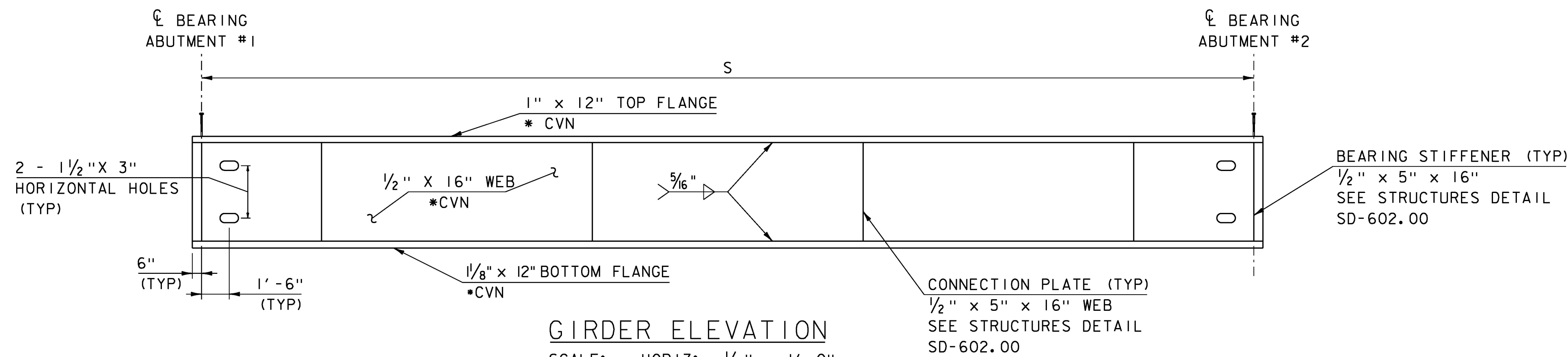


DIAPHRAGM DETAIL

SCALE 3" = 1'-0"

WELDED SHEAR STUD CONNECTOR TABLE (S)

GIRDER	SIZE	SPACING
G1	7/8" X 9"	10"
G2	7/8" X 7"	10"
G3	7/8" X 9"	10"
G4	7/8" X 7"	10"
G5	7/8" X 9"	10"
G6	7/8" X 7"	10"



GIRDER ELEVATION

SCALE: HORIZ: 1/4" = 1'-0"
VERT: 1" = 1'-0"

- * CVN DENOTES THAT CHARPY V-NOTCH TEST IS REQUIRED
- ** TEMPORARY DIAPHRAGMS TO BE SLOPED IN ORDER TO MAINTAIN CLEARANCE

PROJECT NAME:	STRAFFORD	PLOT DATE:	31-AUG-2016
PROJECT NUMBER:	BF 0177(10)	DRAWN BY:	T. MATTHEWS
FILE NAME:	sl3j088sup.dgn	DESIGNED BY:	T. MATTHEWS
		CHECKED BY:	J. GRIGAS
		PBU DETAILS SHEET 2	SHEET 26 OF 52