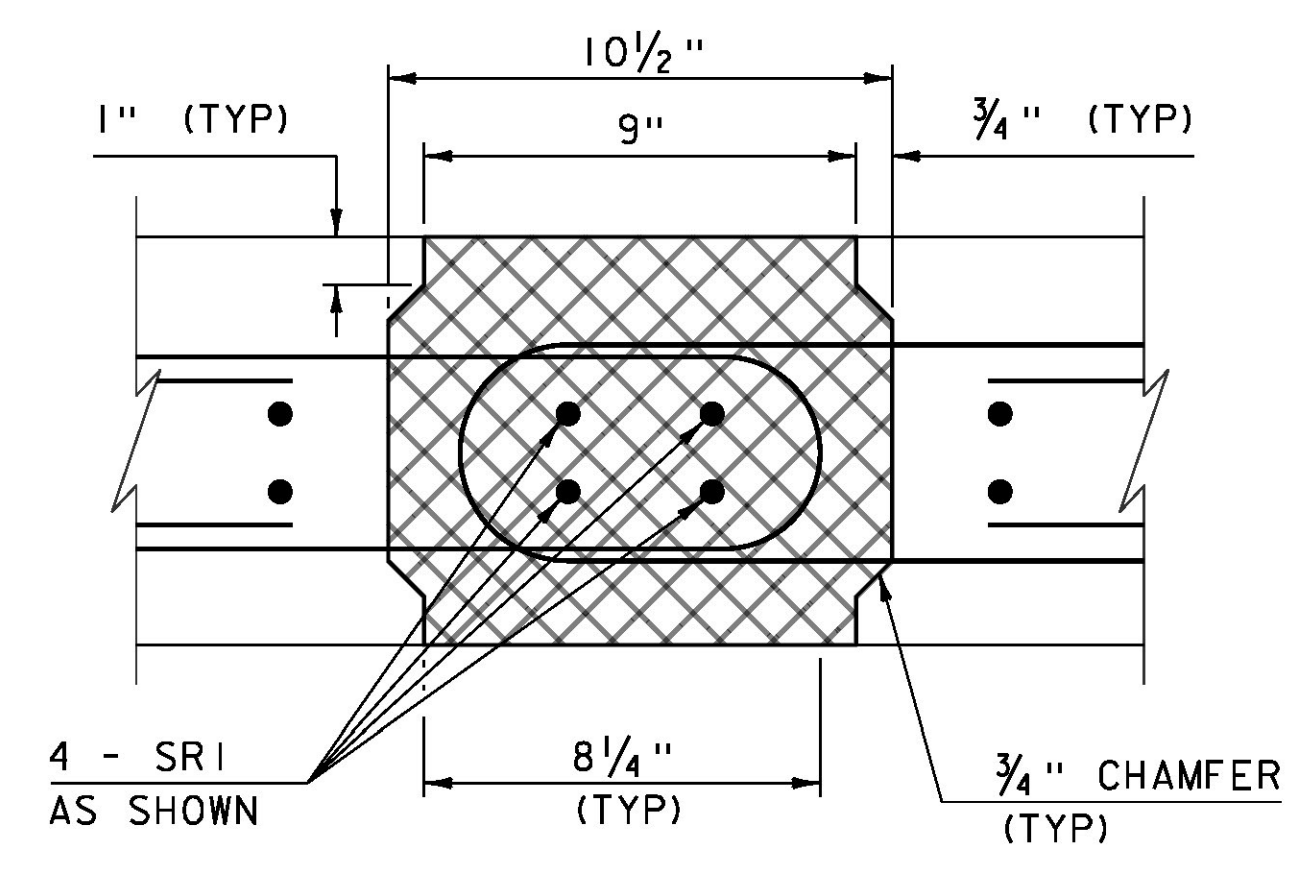
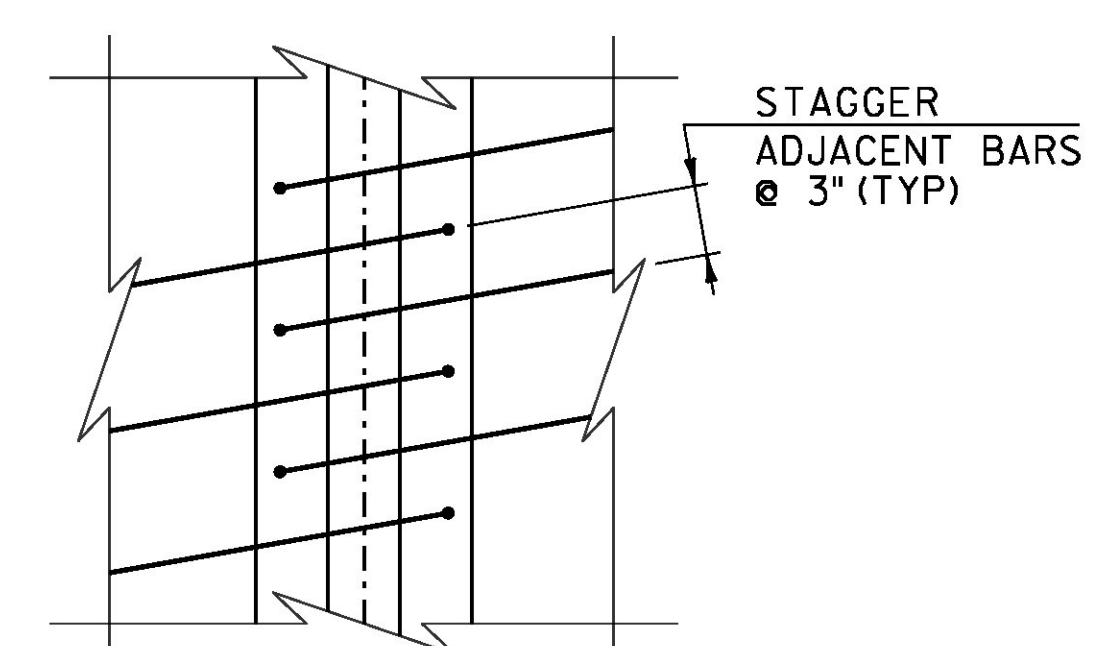


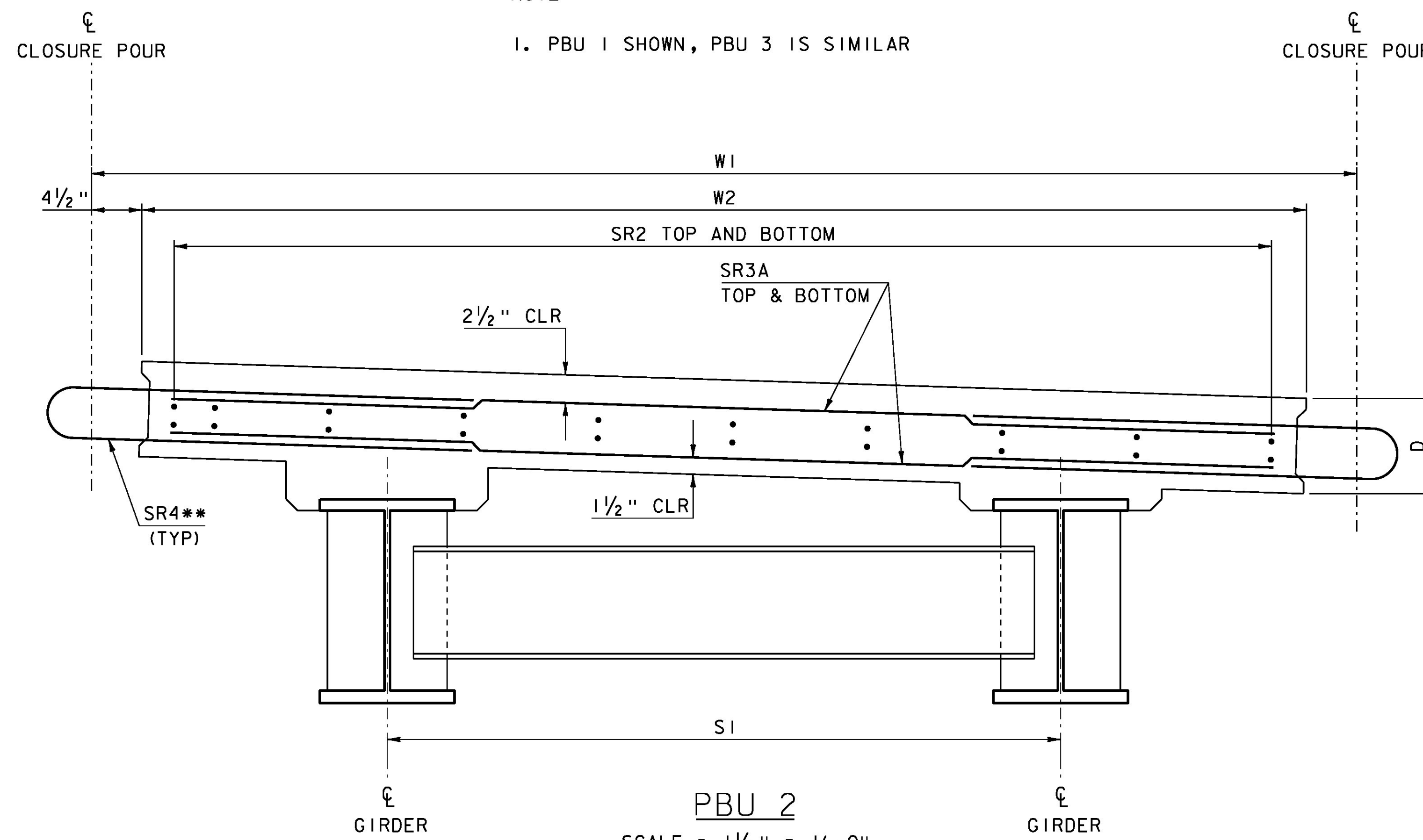
PBU 1 & 3
SCALE = 1/2" = 1'-0"
NOTE:
1. PBU 1 SHOWN, PBU 3 IS SIMILAR



CONNECTION DETAIL SECTION
NOT TO SCALE



CONNECTION DETAIL PLAN
NOT TO SCALE



PBU 2
SCALE = 1/2" = 1'-0"

PBU BEAM REINFORCING CHART

| BAR | SIZE | SPACING | TYPE |
|------|------|----------|------|
| SR1 | 4 | AS SHOWN | STR |
| SR2 | 5 | 9" | STR |
| SR3A | 4 | 6" | STR |
| SR3B | 4 | 6" | I |
| SR4 | 4 | 6" | SII |
| SR5 | 4 | 8" | 2 |
| SR6 | 4 | 6" | I |

PBU BEAM DIMENSIONS

| | |
|----|-------------|
| D | 8 1/2" |
| W1 | 9' - 4 3/4" |
| W2 | 8' - 7 3/4" |
| W3 | 9' - 5 5/8" |
| W4 | 9' - 1 1/8" |
| S1 | 5' - 0" |

NOTE:
* VERTICAL LEGS TO BE SET PLUM IN FINAL CONDITION
** TO BE STAGGERED WITH ADJACENT BEAM
3" CLEAR, UNLESS OTHERWISE SPECIFIED ON THE PLANS
2' - 7" #5 BAR LAP LENGTH
2' - 1" #4 BAR LAP LENGTH

PROJECT NAME: STRAFFORD
PROJECT NUMBER: BF 0177(10)
FILE NAME: s13j088sup.dgn
PROJECT LEADER: K. HIGGINS
DESIGNED BY: T. MATTHEWS
PBU DETAILS SHEET 1
PLOT DATE: 31-AUG-2016
DRAWN BY: T. MATTHEWS
CHECKED BY: J. GRIGAS
SHEET 25 OF 52