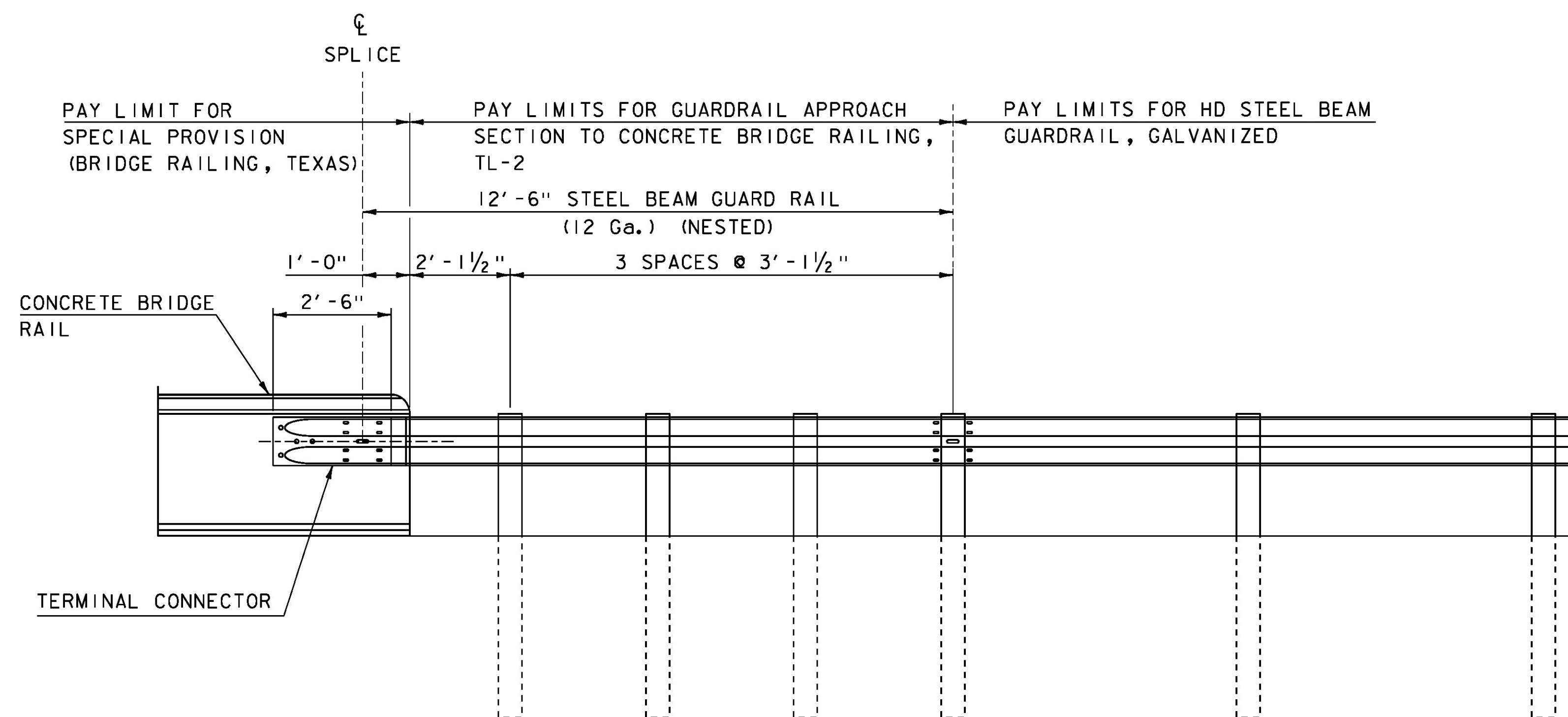


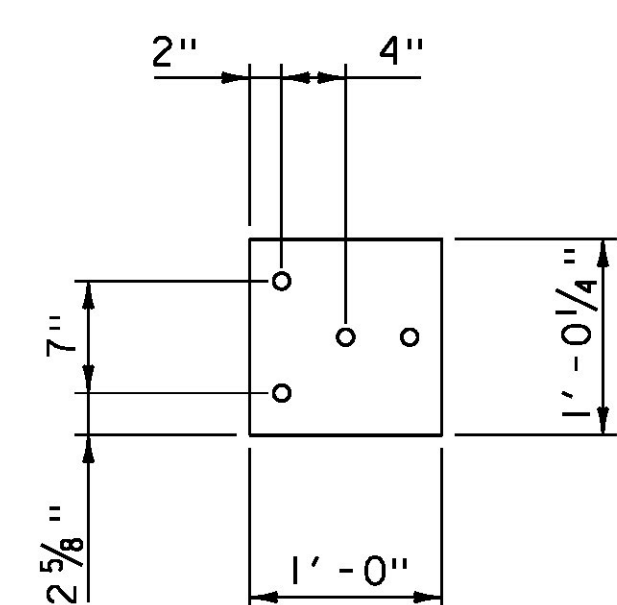
TYPICAL PLAN VIEW

SCALE 1/2" = 1'-0"



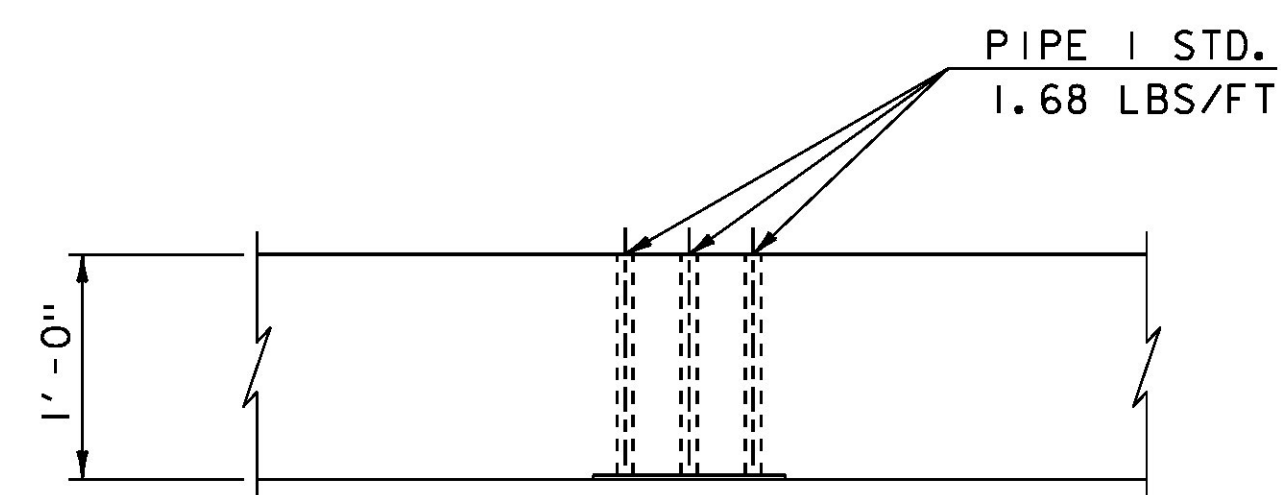
TYPICAL ELEVATION VIEW

SCALE 1/2" = 1'-0"



**CONNECTION PLATE
DETAIL - ELEVATION**

SCALE 1" = 1'-0"

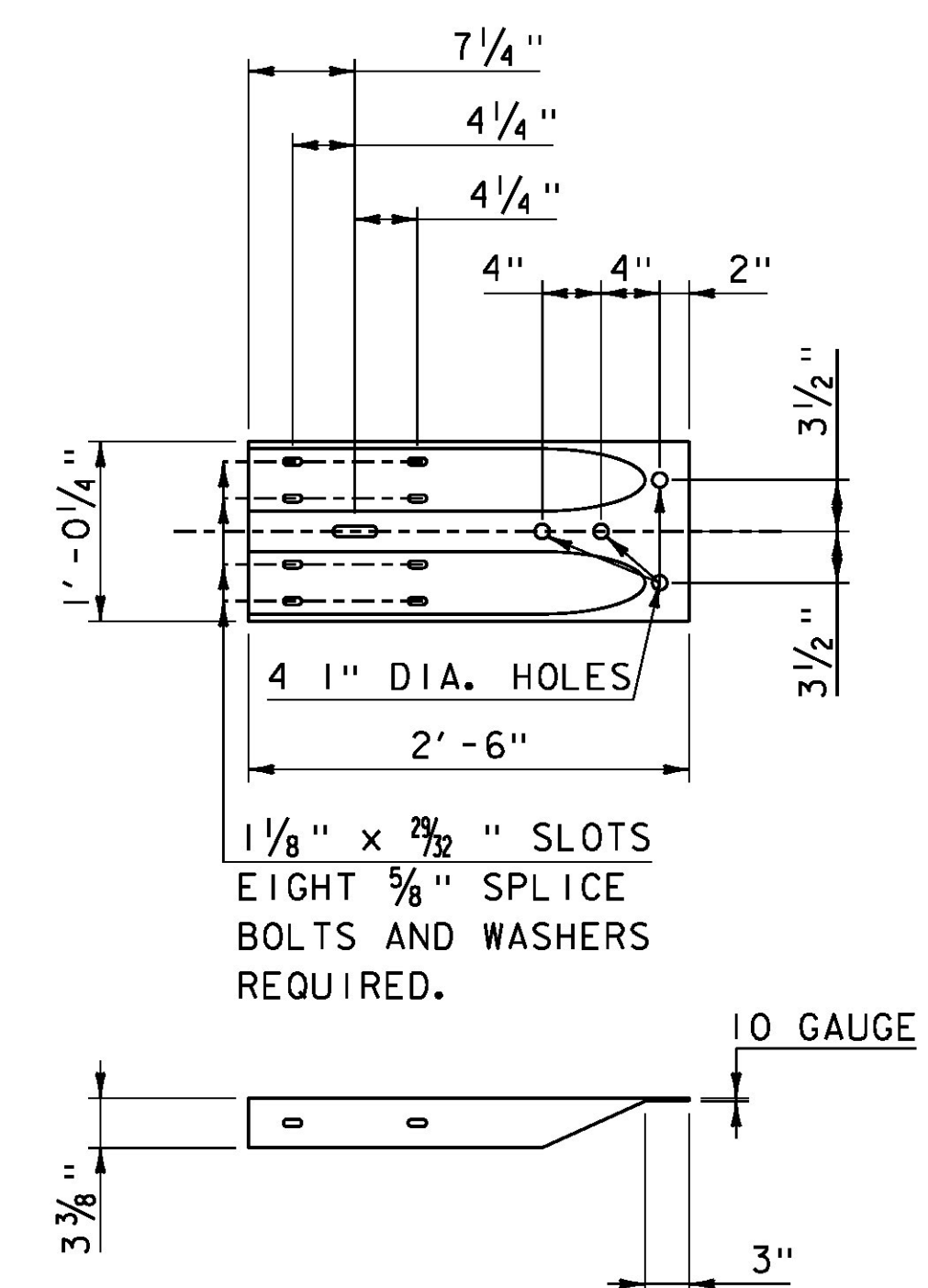


**CONNECTION PLATE
DETAIL - PLAN**

SCALE 1" = 1'-0"

GENERAL NOTES

1. A COMPOSITE MATERIAL POST AND/ OR BLOCKOUT FROM THE AGENCY'S APPROVED PRODUCTS LIST MAY BE SUBSTITUTED FOR A POST AND/ OR BLOCKOUT OF SIMILAR DIMENSIONS
2. REFER TO STANDARD DRAWINGS G-1 AND G-1D FOR ADDITIONAL DETAILS.
3. THE TERMINAL CONNECTOR WILL BE INCLUDED IN THE BID PRICE FOR ITEM 621.746 "GUARDRAIL APPROACH SECTION TO CONCRETE BRIDGE RAILING, TL-2". THE CONNECTION PLATE WILL BE INCLUDED IN THE BID PRICE FOR ITEM 900.640 "SPECIAL PROVISION (BRIDGE RAILING TEXAS)".



TERMINAL CONNECTOR

SCALE 1" = 1'-0"

PROJECT NAME:	STRAFFORD
PROJECT NUMBER:	BF 0177(10)
FILE NAME:	sl3j088rallidet
PROJECT LEADER:	K. HIGGINS
DESIGNED BY:	J. GRIGAS
TRANSITION RAIL DETAILS SHEET	
PLOT DATE:	31-AUG-2016
DRAWN BY:	S. COLEY
CHECKED BY:	J. GRIGAS
SHEET	23 OF 52