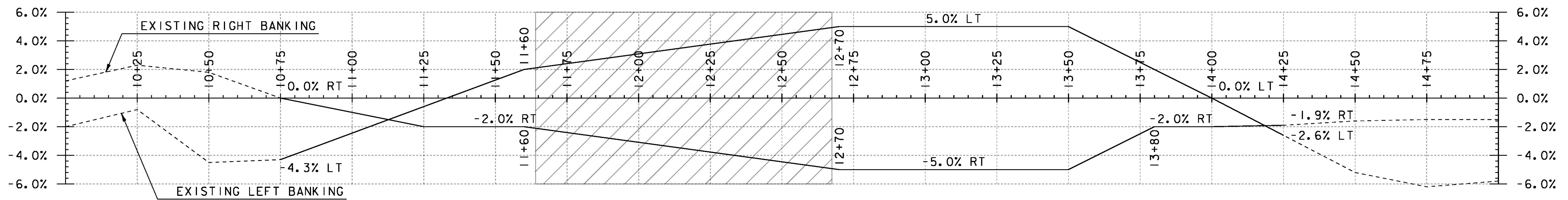


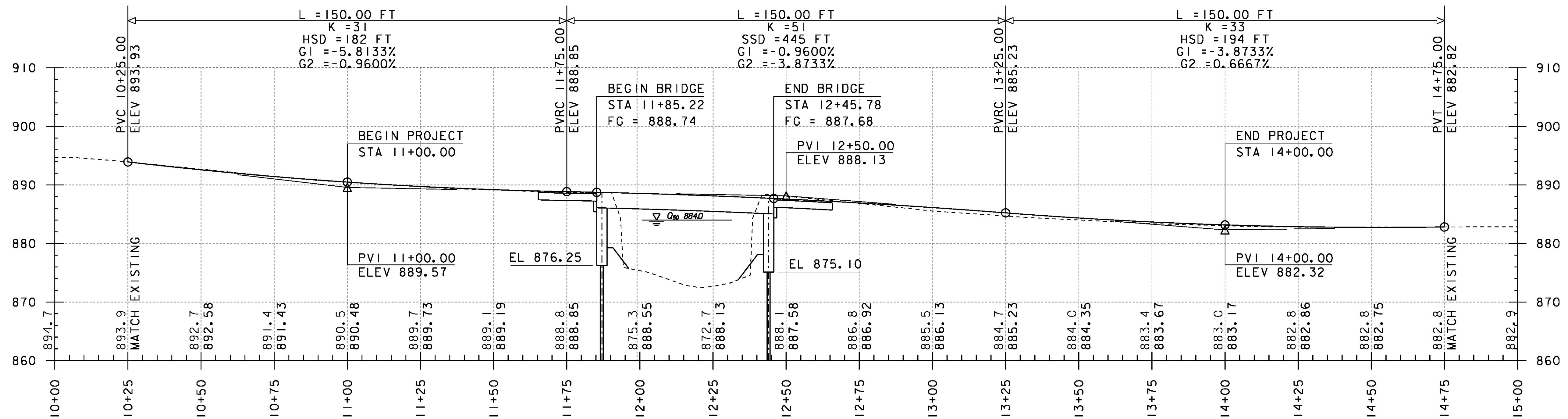
MATERIAL TRANSITION

SCALE: HORIZONTAL: 1"=20'-0"
NO VERTICAL SCALE



BANKING DIAGRAM

SCALE: HORIZONTAL: 1"=20'-0"
VERTICAL: 1"=1.0%



MAINLINE PROFILE

SCALE: HORIZONTAL: 1"=20'-0"
VERTICAL: 1"=10'-0"

THE GRADES SHOWN TO THE TENTH ARE THE EXISTING GROUND ELEVATIONS ALONG THE PROPOSED ALIGNMENT.
THE GRADES SHOWN TO THE NEAREST HUNDREDTH ARE THE FINISH GRADES ALONG THE PROPOSED ALIGNMENT.

PROJECT NAME: STRAFFORD	
PROJECT NUMBER: BF 0177(10)	
FILE NAME: s13j088pro.dgn	PLOT DATE: 31-AUG-2016
PROJECT LEADER: K. HIGGINS	DRAWN BY: J. GRIGAS
DESIGNED BY: J. GRIGAS	CHECKED BY: G. LAROCHE
MAINLINE PROFILE & BANKING DIAGRAM	SHEET 14 OF 52