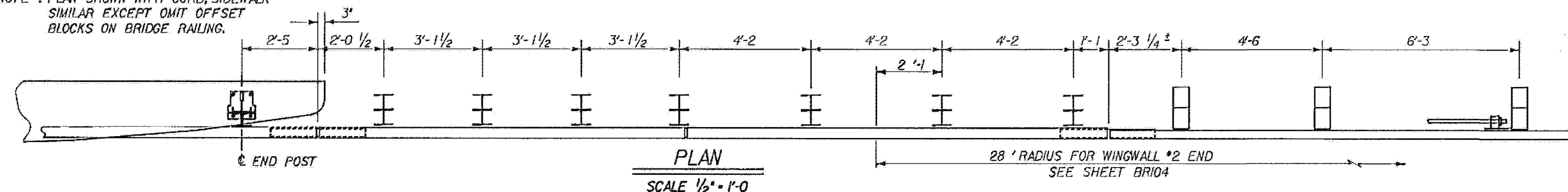
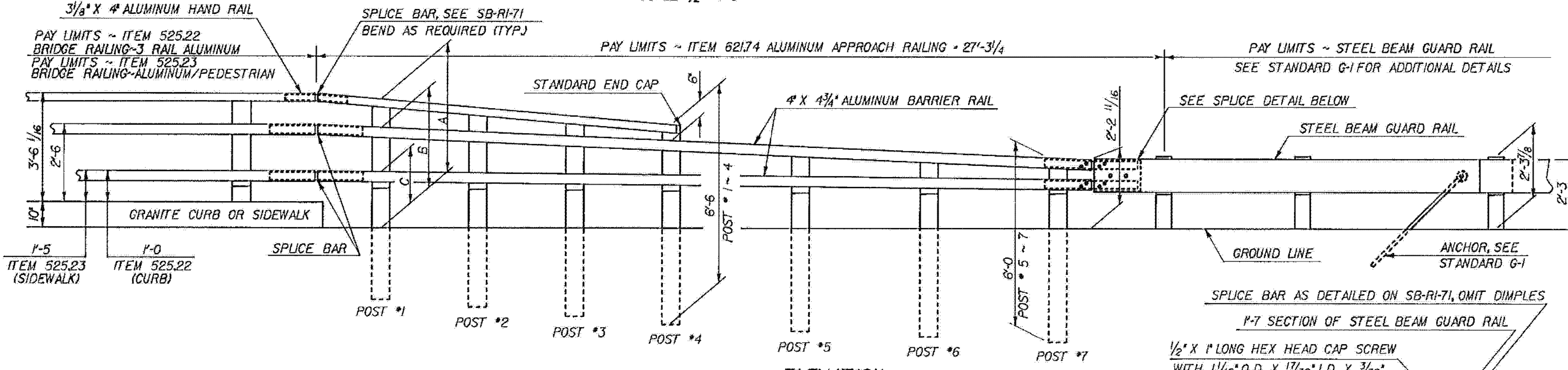


NOTE: PLAN SHOWN WITH CURB, SIDEWALK  
SIMILAR EXCEPT OMIT OFFSET  
BLOCKS ON BRIDGE RAILING.



**NOTES**

1. POST 1 THROUGH 7 SHALL BE EXTRUDED ALUMINUM.
2. ALL STRUCTURAL STEEL SHALL BE ASTM A-36 GALVANIZED AFTER FABRICATION.
3. ALL ITEMS NOT OTHERWISE INDICATED SHALL MEET THE SPECIFICATION REQUIREMENTS OF THE STANDARD SHEETS ON WHICH THEY ARE DETAILED.
4. SEE STANDARD G-1 FOR STEEL BEAM GUARD RAIL DETAILS. SEE STANDARDS SB-R1-71 SHEET #1 AND SHEET #2 FOR ALUMINUM BRIDGE RAILING DETAILS.

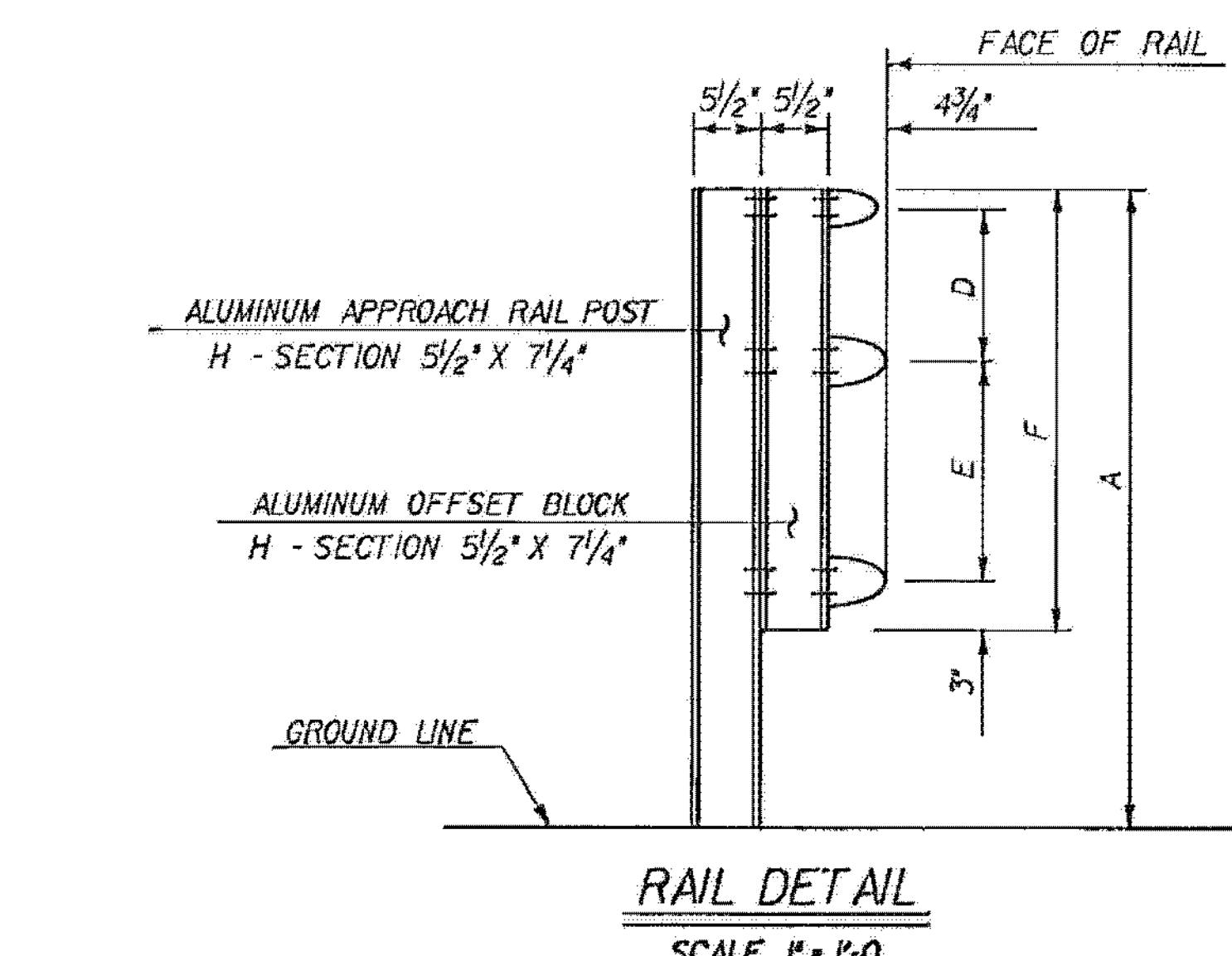
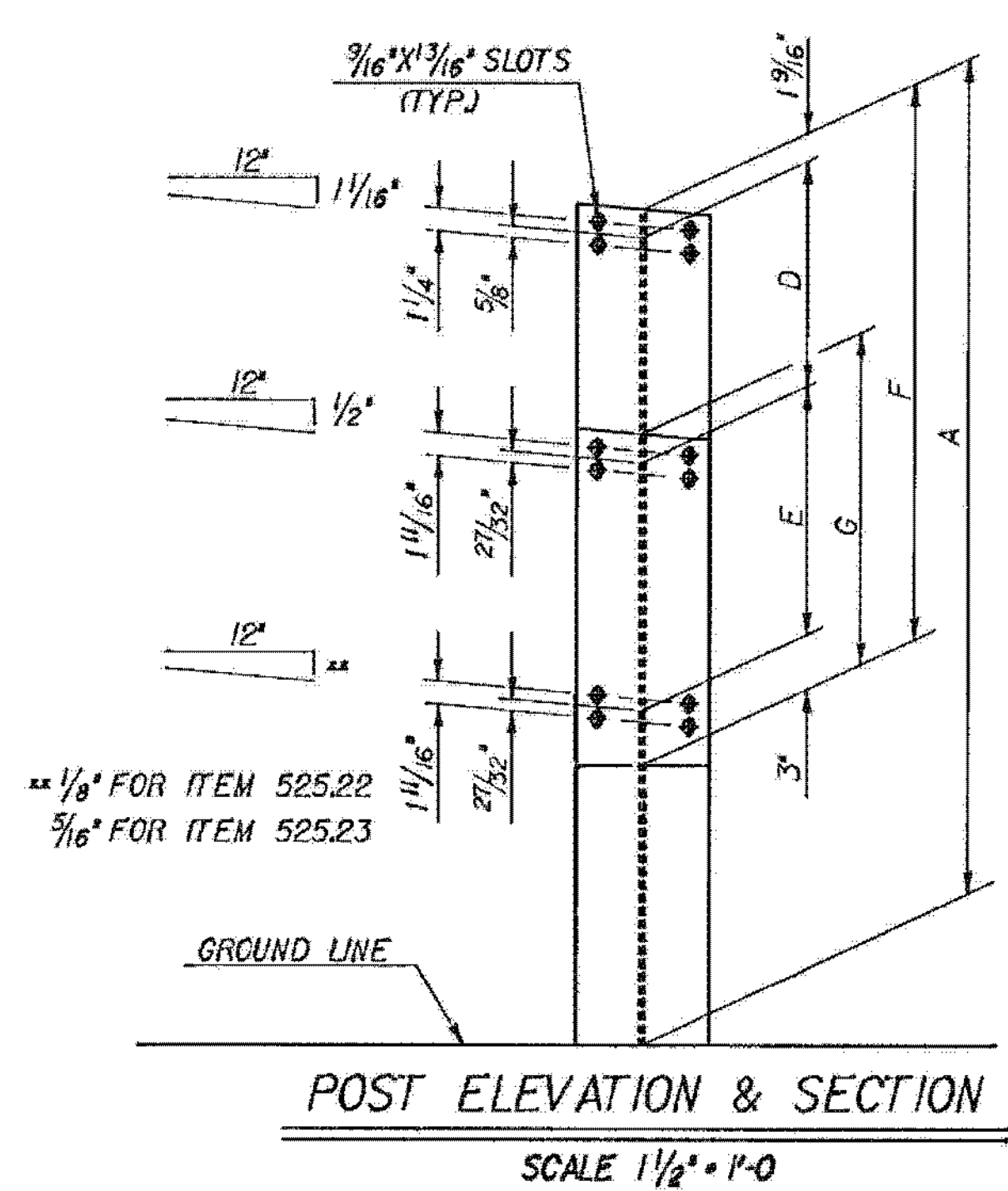
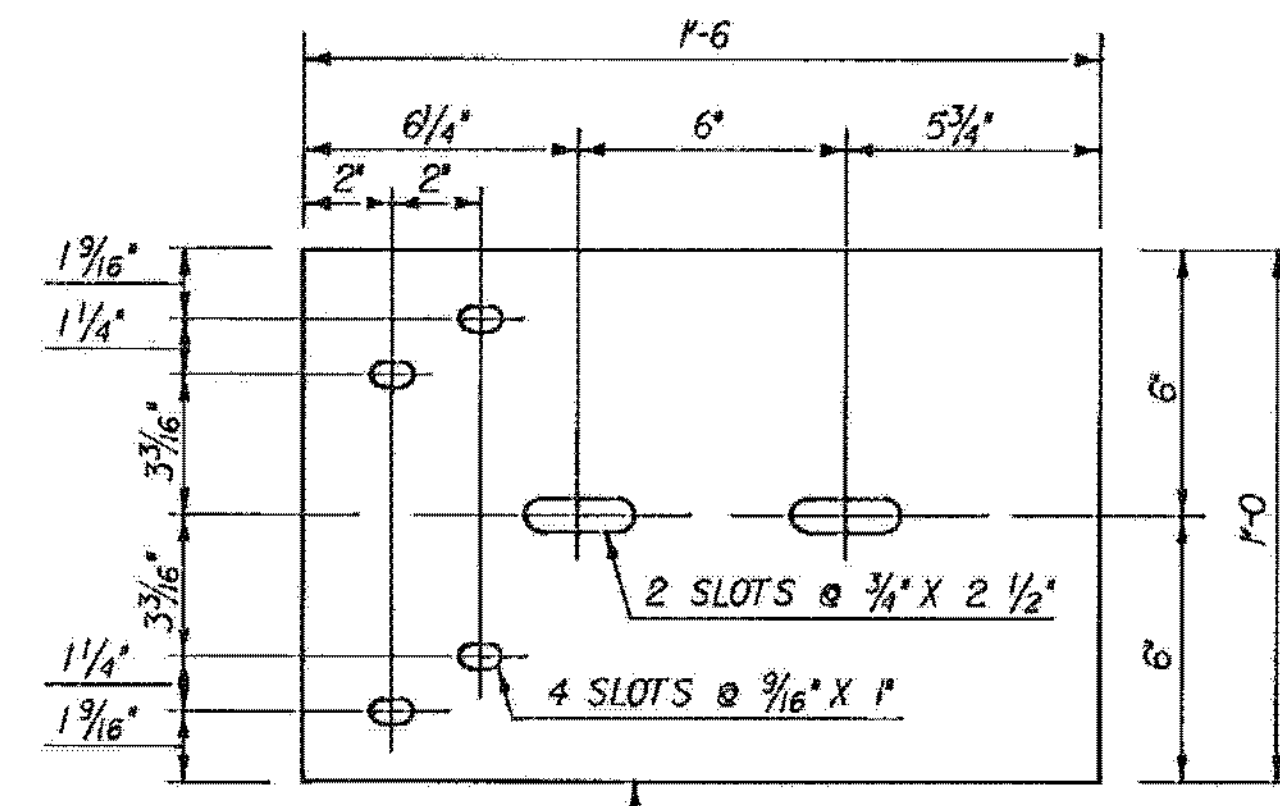
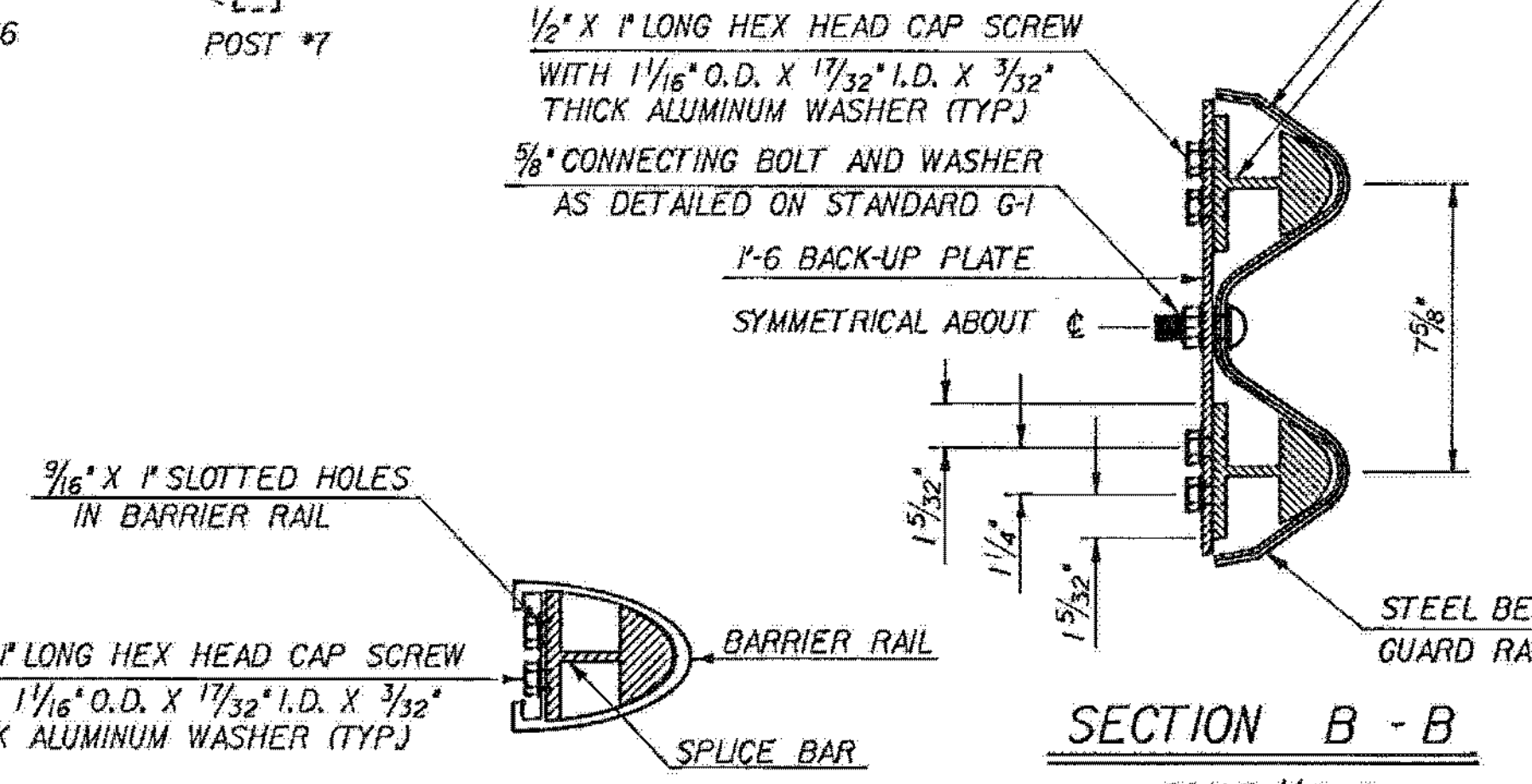
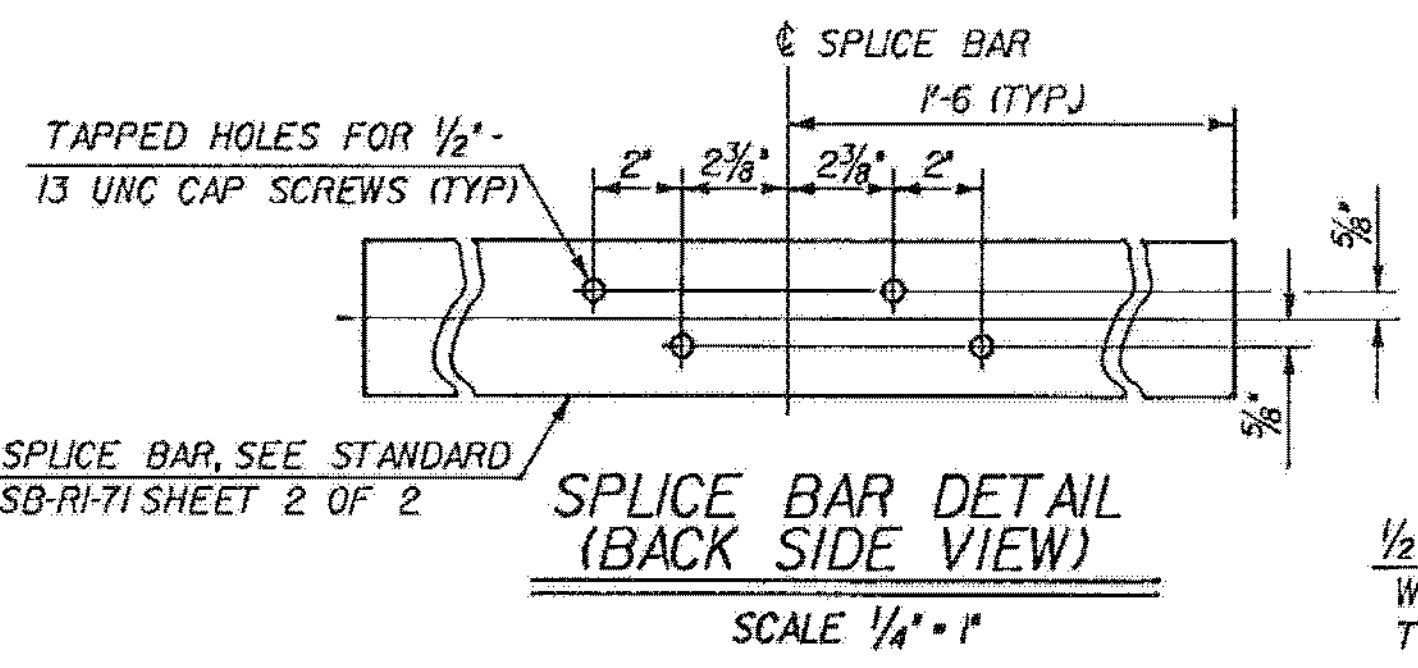
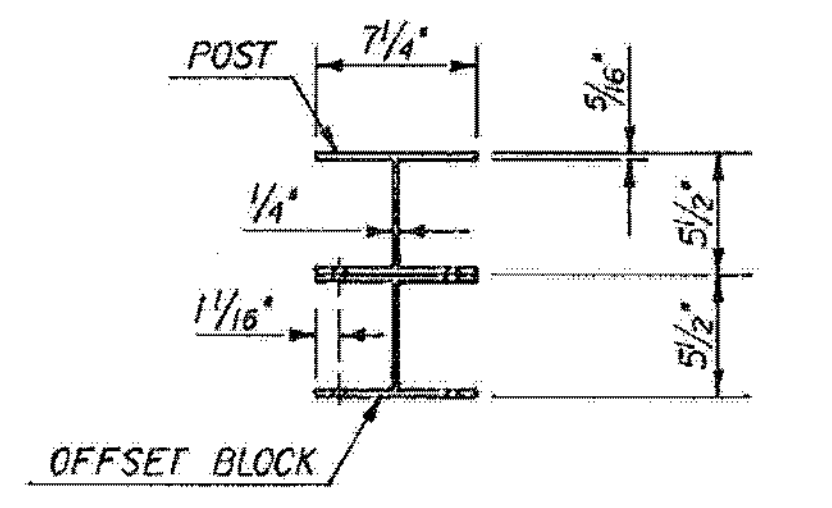


ALUMINUM APPROACH RAIL ATTACHED TO  
ITEM 525.22 BRIDGE RAILING - 3 RAIL ALUMINUM

POST NO.	RAIL HEIGHT DIMENSIONS			OFFSET BLOCK DIMENSIONS			
	A	B	C	D	E	F	G
1	4'-1 1/8	3'-2 5/16	1'-9 3/4	0'-11 7/8	1'-5 3/16	2'-9 1/2	
2	3'-10 9/16	3'-1 1/4	1'-9 7/8	0'-9 3/4	1'-3 1/8	2'-6 7/16	
3	3'-7 1/4	2'-11 9/16	1'-9	0'-8 1/2	1'-2 9/16	2'-3 1/4	
4	3'-3 9/16	2'-9 9/16	1'-8 7/8	0'-6 1/16	1'-1 9/16	2'-0 9/16	
5		2'-7 11/16	1'-8 3/8		0'-11 1/2		1'-4 1/2
6		2'-5 1/2	1'-7 11/16		0'-9 3/16		1'-2 3/16
7		2'-3 1/4	1'-7 3/16		0'-8 1/16		1'-1 1/16

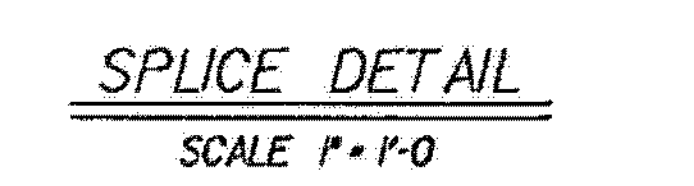
ALUMINUM APPROACH RAIL ATTACHED TO  
ITEM 525.23 BRIDGE RAILING - ALUMINUM/PEDESTRIAN

POST NO.	RAIL HEIGHT DIMENSIONS			OFFSET BLOCK DIMENSIONS			
	A	B	C	D	E	F	G
1	4'-1 1/8	3'-2 5/16	2'-2 3/8	0'-11 7/8	1'-0 9/16	2'-4 1/2	
2	3'-10 9/16	3'-1 1/4	2'-1 3/8	0'-9 3/4	0'-11 7/8	2'-2 3/8	
3	3'-7 1/4	2'-11 9/16	2'-0 3/8	0'-8 1/2	0'-11 7/8	1'-11 1/8	
4	3'-3 9/16	2'-9 9/16	1'-11 7/8	0'-6 1/16	0'-10 9/16	1'-9 1/16	
5		2'-7 11/16	1'-10 1/16		0'-9 3/8		1'-2 9/8
6		2'-5 1/2	1'-8 3/4		0'-8 3/4		1'-1 3/4
7		2'-3 1/4	1'-7 3/8		0'-7 1/8		1'-0 1/8



THE COST OF ALL MATERIALS AND LABOR FOR THE SPLICE BETWEEN THE ALUMINUM APPROACH RAILING AND THE STEEL BEAM GUARD RAIL SHALL BE SUBSIDIARY TO ITEM 621.74, "ALUMINUM APPROACH RAILING".

DANVILLE  
BF MEMB (36)  
SHEET 20 OF 22  
BRIDGE 92  
FOR REFERENCE ONLY



**STATE OF VERMONT  
AGENCY OF TRANSPORTATION**

Town of **DANVILLE** Bridge No. **92**  
 Highway No. **U.S. RTE. 2** Log Sta. **87+38**  
 Surv. Sta. **87+11.80**

**ALUMINUM APPROACH RAIL DETAILS**  
**U.S. RTE. 2 OVER JOE'S POND BROOK**

Designed By **R.J. RANALDO** Drawn By **D.C. WILLEY**  
 Checked By **S. FARNSWORTH** Date **2/18/86** Bridge Design Supervisor  
**F.W. Bolcum** Date **3/86**

PROJECT **DANVILLE** PROJECT NO. **BRF 028-31191S**  
 I.G.C. Info. **05AL130267BF166APP.DGN**  
 Bridge Sheet No. **BR 110** Sheet **11** of **125**