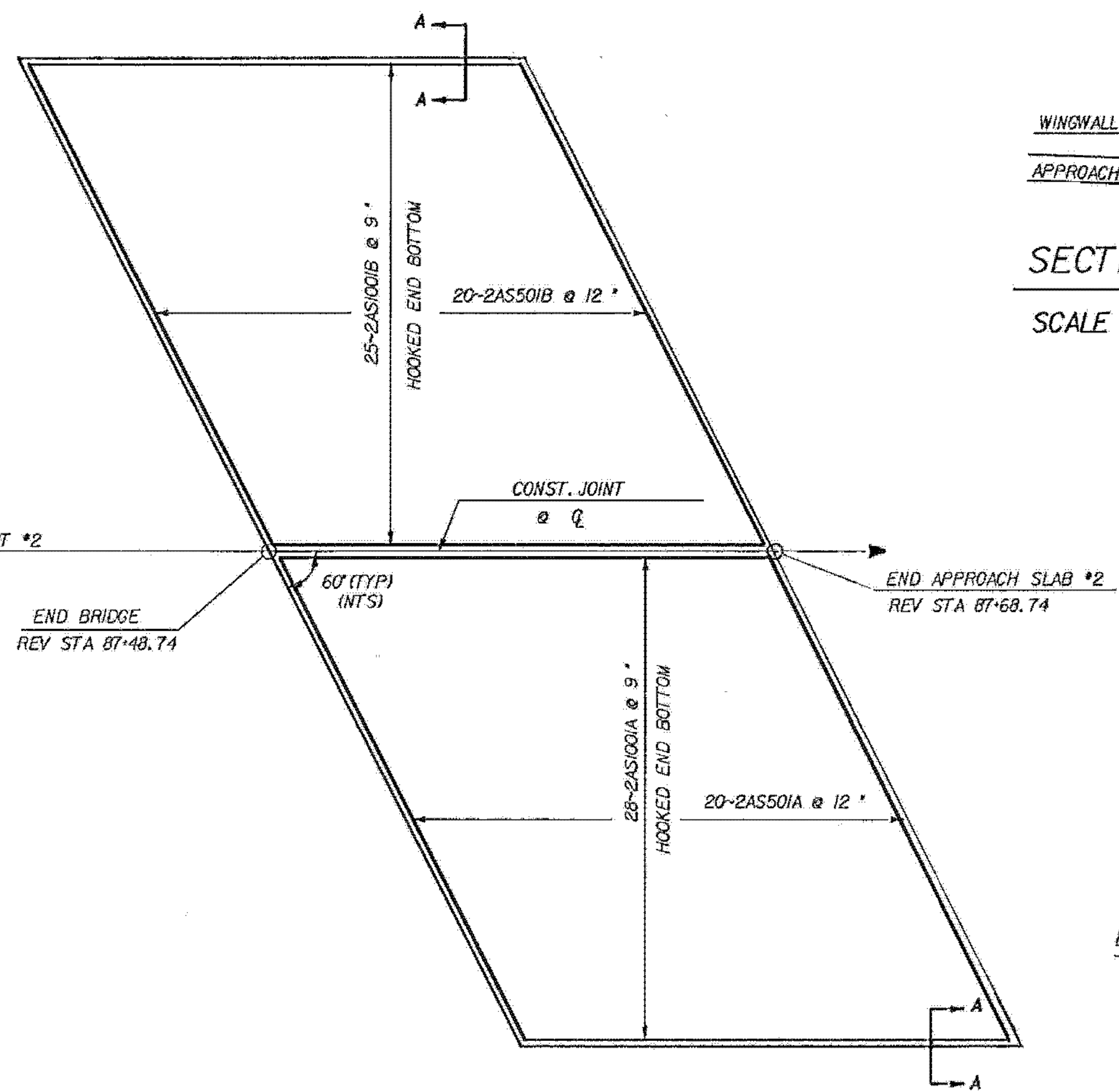
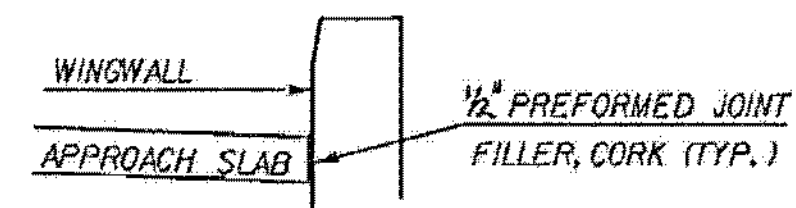


APPROACH SLAB NO. 1
SCALE 1/4" = 1'-0"

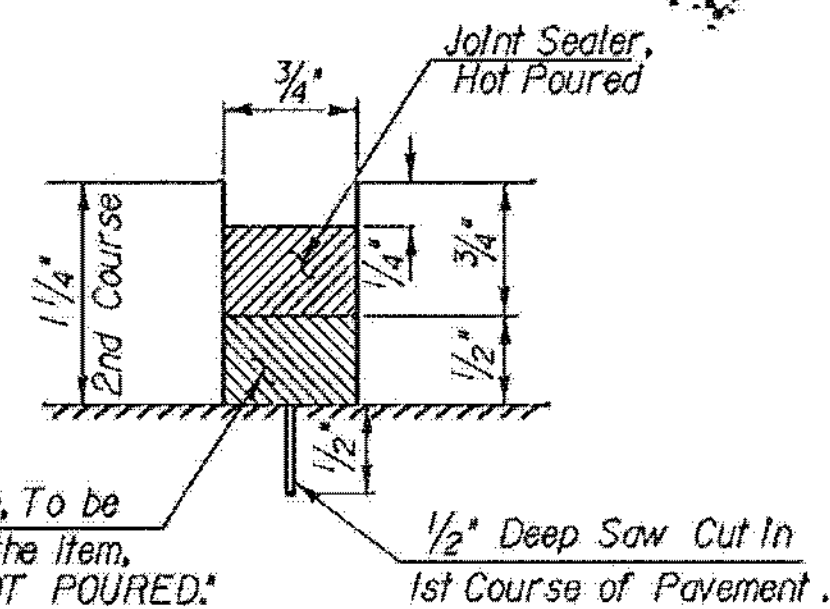


APPROACH SLAB NO. 2
SCALE 1/4" = 1'-0"

APPROACH SLAB REINFORCING PLAN

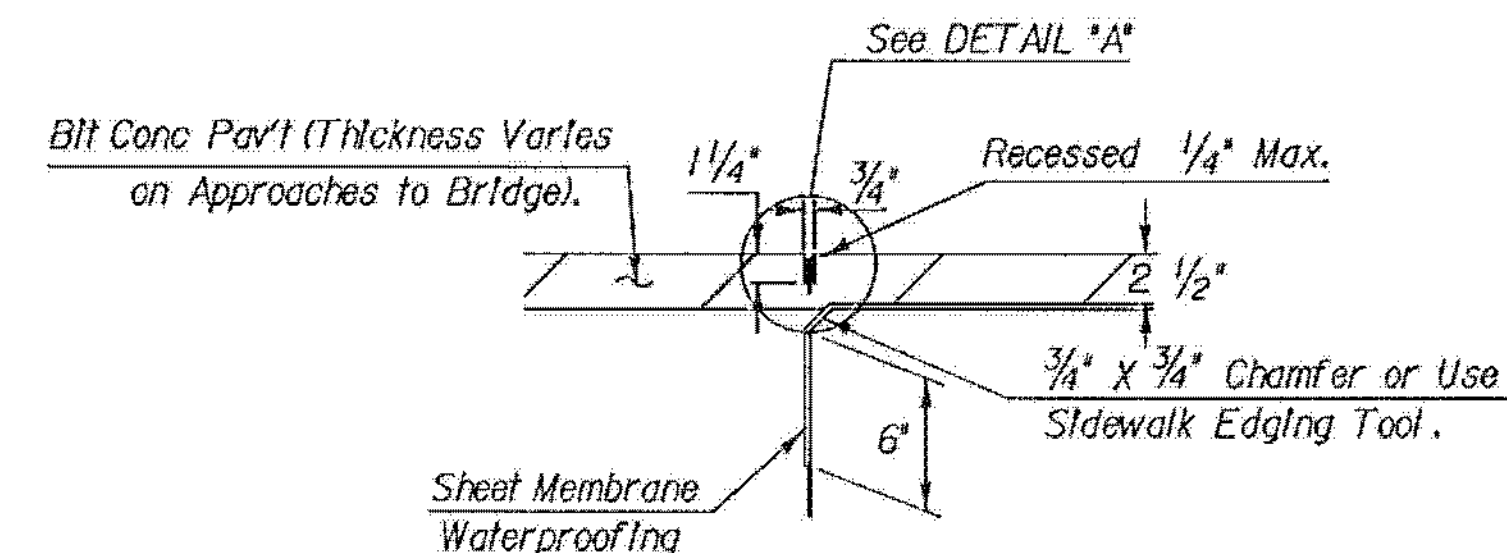


SECTION A-A
SCALE 1/4" = 1'-0"



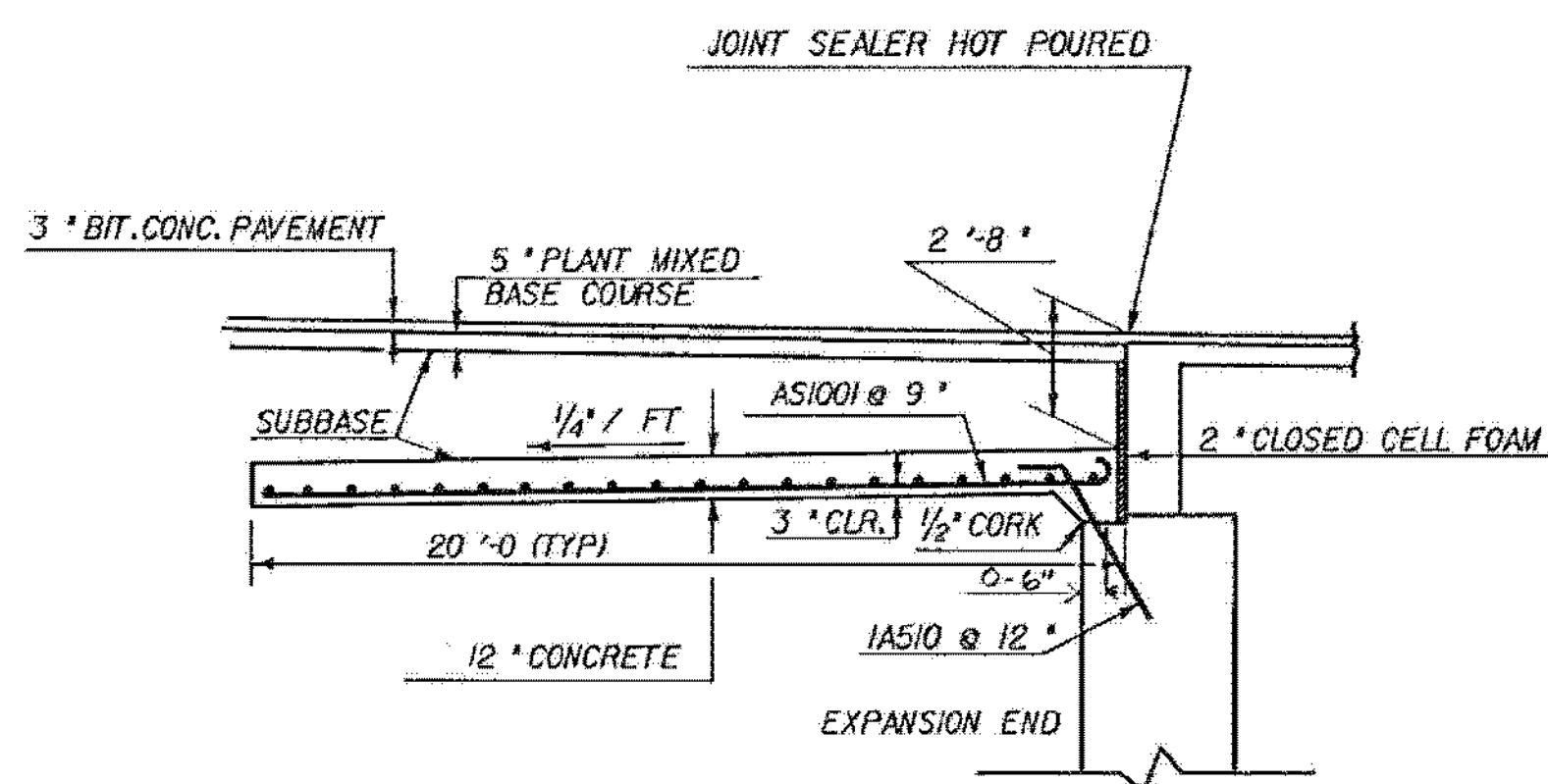
DETAIL "A"
Scale 1" = 1"

NOTE: See STD DWG SCB - D9 - 71, Detail B, for additional details, except as noted.

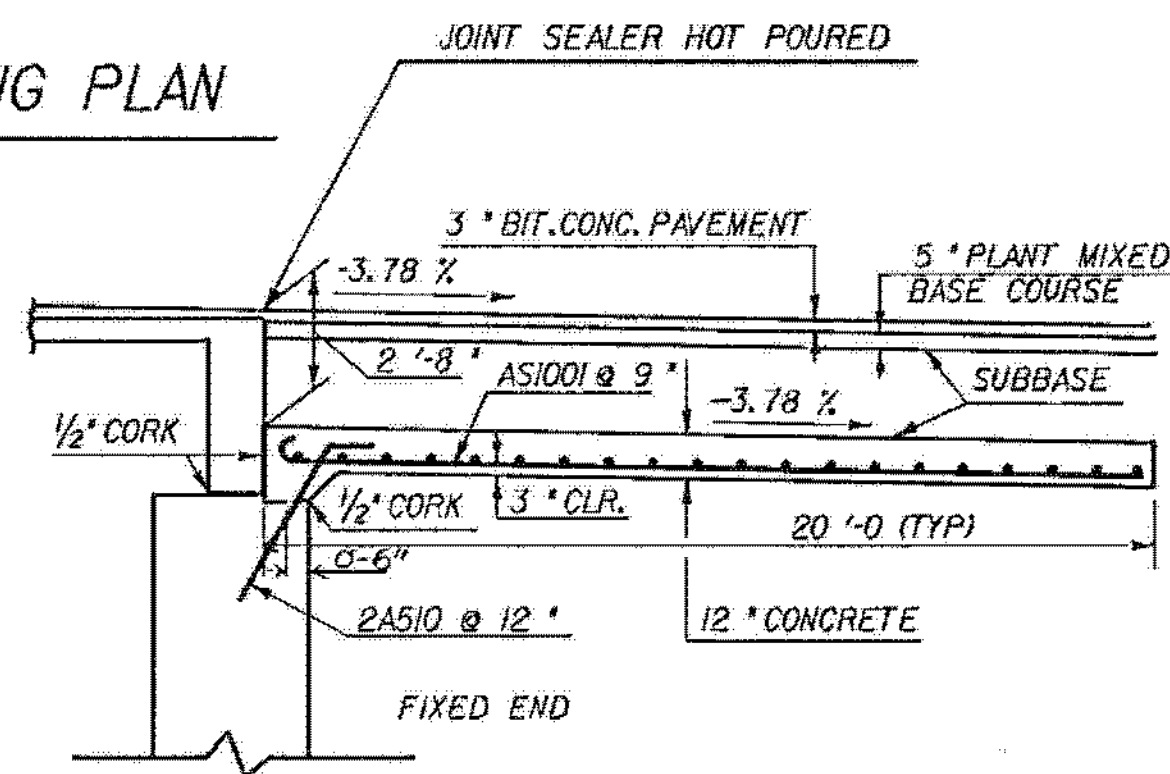


JOINT SEALER DETAIL
Scale 1/2" = 1'-0"

1/4" x 3/4" saw cut in second course of Bituminous Concrete Pavement. To be made within 24 hours of placement. Fill with Joint Sealer, Hot Poured



APPROACH SLAB ELEVATION AT ABUTMENT NO. 1
SCALE 1/4" = 1'-0"



APPROACH SLAB ELEVATION AT ABUTMENT NO. 2
SCALE 1/4" = 1'-0"

STATE OF VERMONT
AGENCY OF TRANSPORTATION

Town Of DANVILLE Bridge No. 92
Highway No. U. S. RT #2 Log Sta. 87+38
Surv. Sta. 87+0.00

U. S. RT #2 OVER JOES BROOK
APPROACH SLAB & JOINT SEALER DETAILS

Designed By S. G. FARNSWORTH Drawn By M. RYAN
Checked By C. WILKS Date 1-86 Bridge Design Supervisor
AND S. FARNSWORTH Date 1/86 F.Y. Bolcum Date 3/86

PROJECT DANVILLE PROJECT NO. BRF028-3(19)S

I.G.C. info. OS&I 302678F166SUP
Bridge Sheet No. BR109 Sheet 43 of 123

DANVILLE
BF MEMB (36)
SHEET 19 OF 22
BRIDGE 92
FOR REFERENCE ONLY