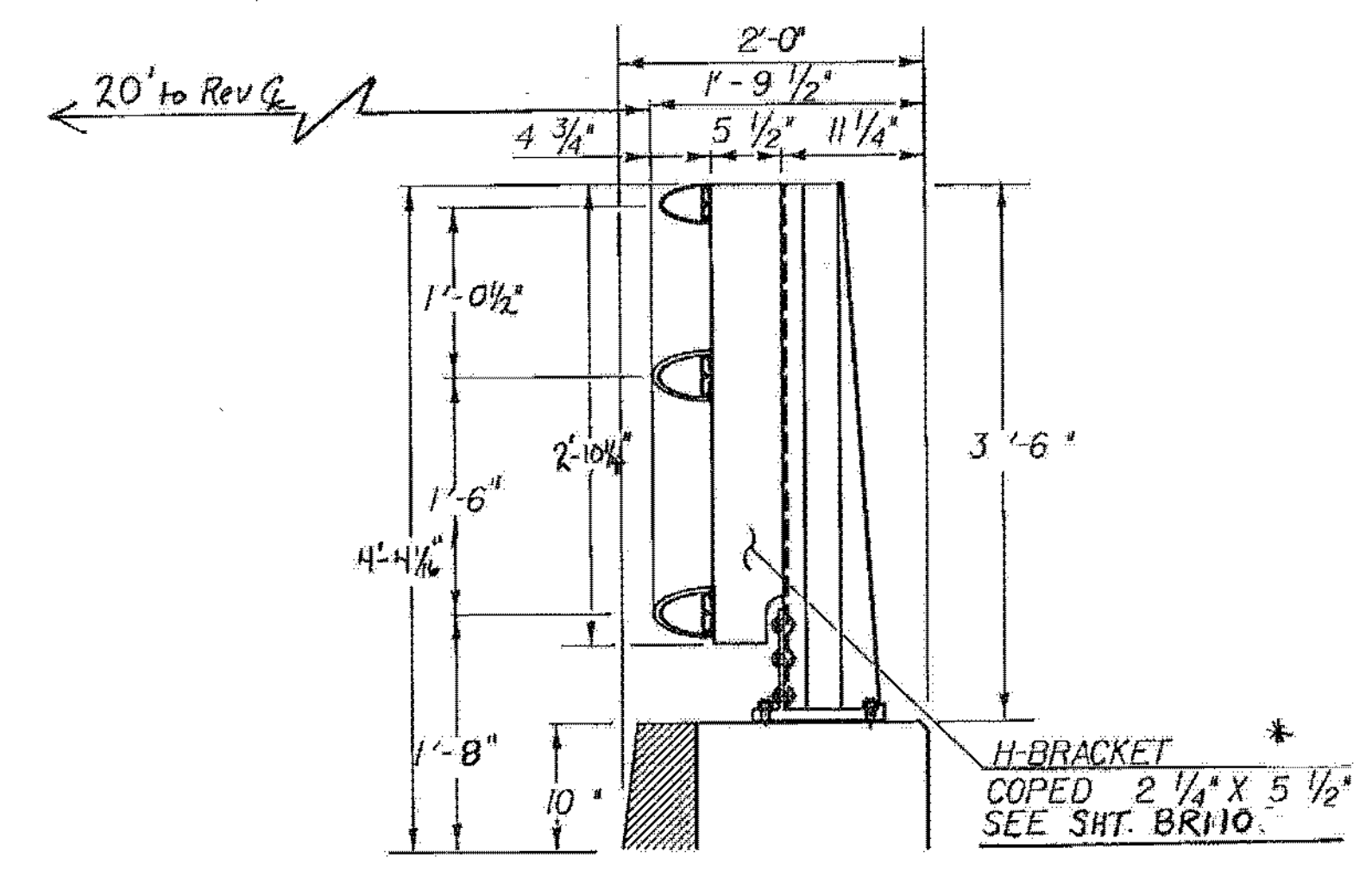
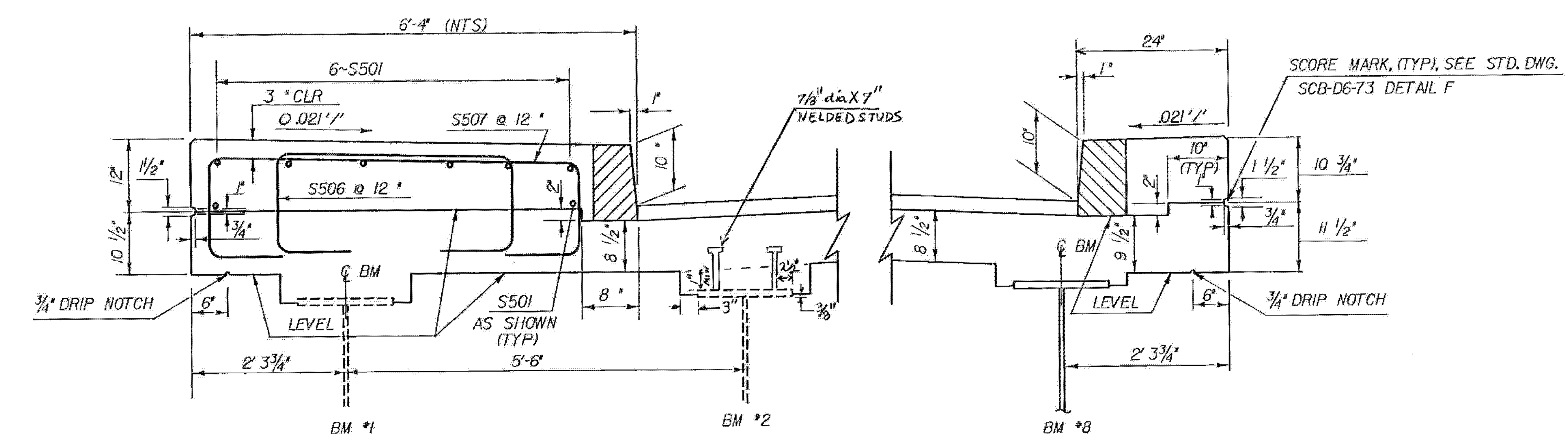


DECK REINFORCING PLAN
SCALE 3/16" = 1'-0"



MODIFIED BRIDGE RAILING
SCALE 1 1/2" = 1'-0"

* COST OF H-BRACKET TO BE SUBSIDIARY TO ITEM "BRIDGE RAILING-3 RAIL ALUMINUM".



CURB & SIDEWALK DETAIL
SCALE 1" = 1'-0"

SEE NEXT SHEET FOR CURTAIN WALL DETAILS

STATE OF VERMONT AGENCY OF TRANSPORTATION	
Town of DANVILLE	Bridge No. 92
Highway No. U. S. RT #2	Log Sta. 87+38
Surv. Sta. 87+11.80	
U. S. RT #2 OVER JOES BROOK	
SUPERSTRUCTURE-DECK & CURB DETAILS	
Designed By S. G. FARNSWORTH	Drawn By M. RYAN
Checked By C. WILKS Date 7-86	Bridge Design Supervisor
AND S. FARNSWORTH	F.W. Bolkom Date 3/86
PROJECT DANVILLE	PROJECT NO. BR02B-31191S
I.O.C. info. OSAH 30.26.78F166SUP.DGN	
Bridge Sheet No. BR107	Sheet 41 of 125

DANVILLE
BF MEMB (36)
SHEET 18 OF 22
BRIDGE 92
FOR REFERENCE ONLY

BRIDGE 44-233-0442