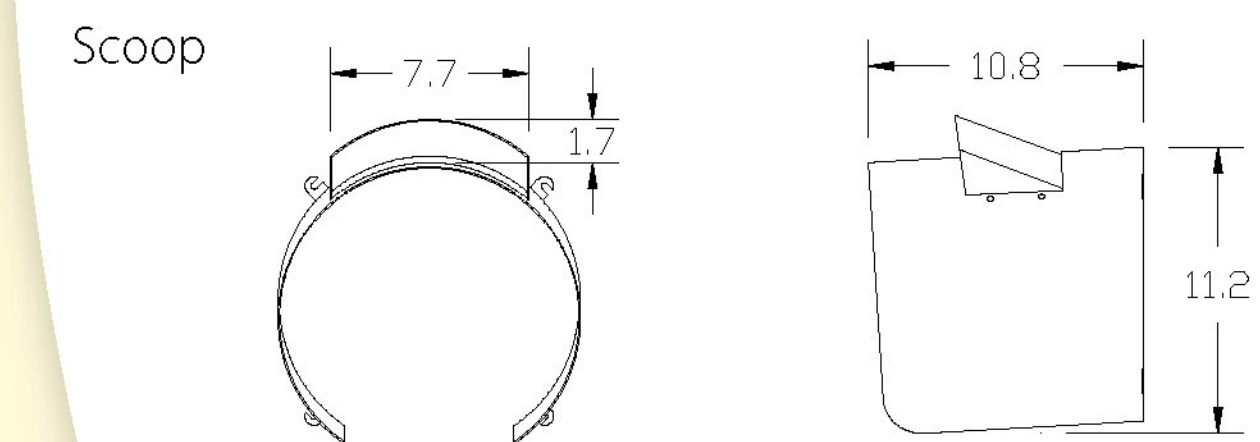
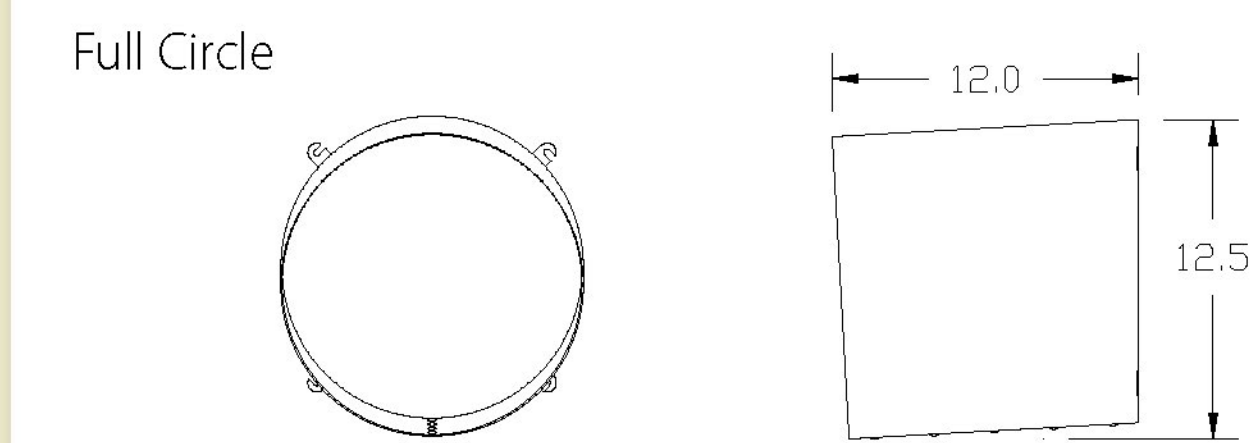
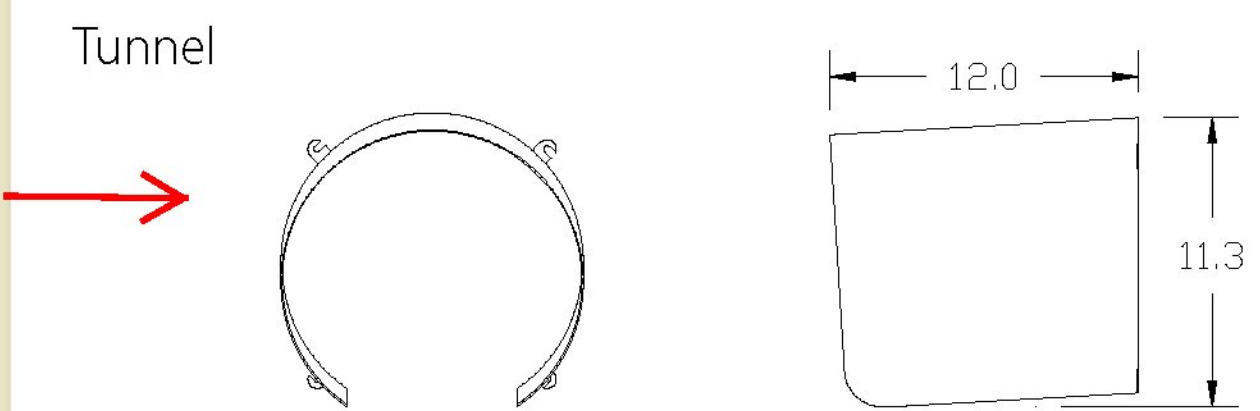
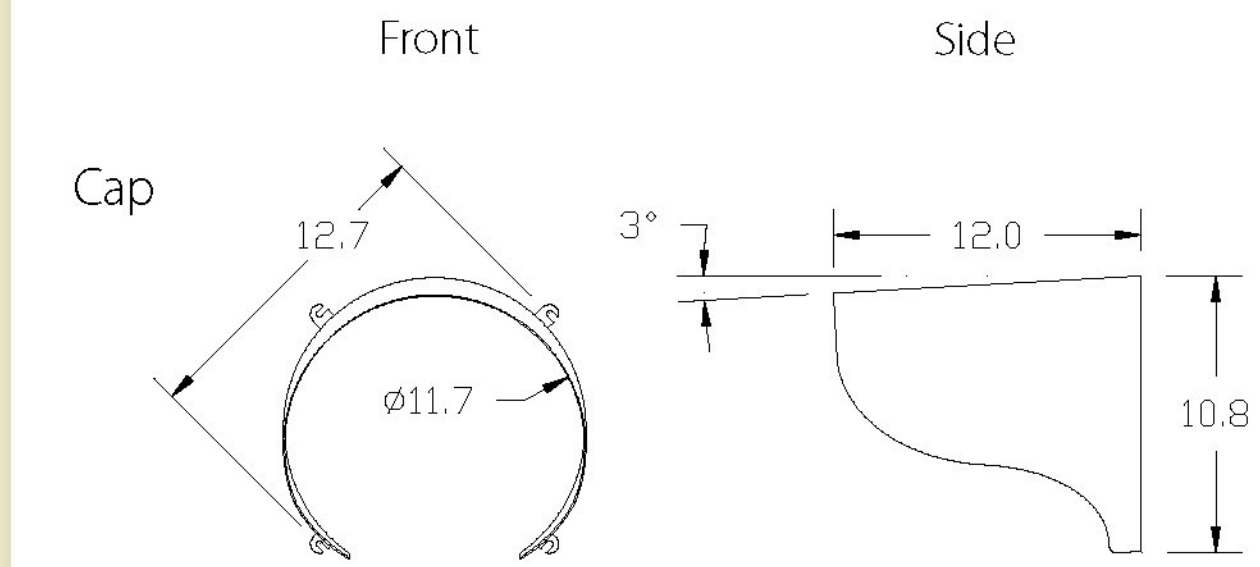


## Signal Visors

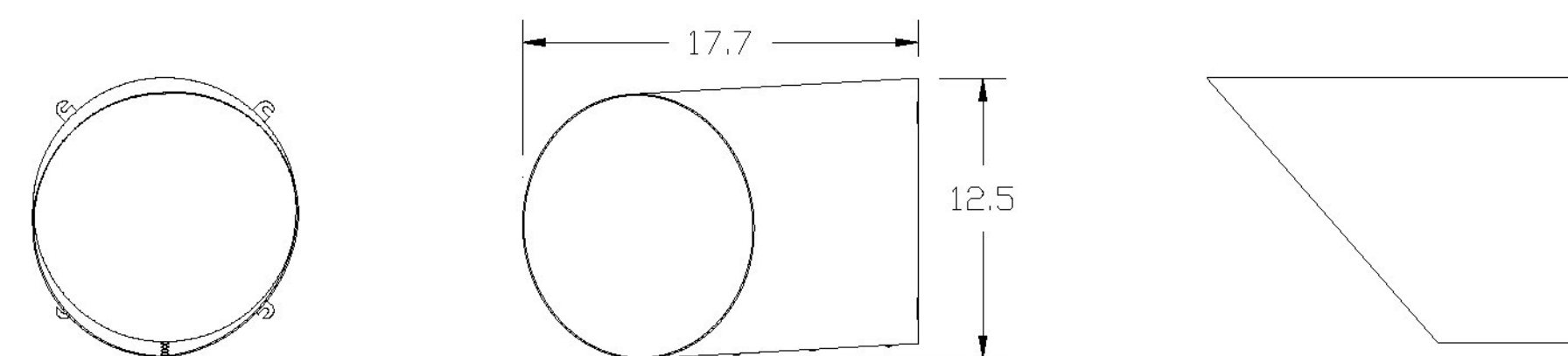
## EAST COAST SIGNALS APPROVED FOR SUBMITTAL 11-4-16 MSF

### Standard Features

- One-piece construction (except Scoop)
- Twist-on mounting tabs
- 3° downward tilt



45° (18" right angle version)



### General Specifications

Dimensions:	Standard Visors:	Diameter	Depth
		8"	8"
		12"	12"
	45° Angle Visors:	8"	18"
		12"	18"
		12"	27"
Degree of Tilt:	3° (down)		
Material:	Aluminum: Type 3003, very good corrosion resistance, 0.050" thick		
	Polycarbonate (standard visors only): Ultraviolet and heat stabilized, flame retardant, permanently colored, 0.10" nominal thickness		
Finish(es):	Aluminum: Powder coated		
	Polycarbonate (standard visors only): Colored resins integral to visor		
Color(s):	Exterior: Federal yellow, signal green, <b>black</b> , or custom		
	Interior: Flat black		
Mounting:	Twist-on tabs		
Shipping Weight:	1 - 4 lbs., varies based on material, size, and style		

### Options

- Other lengths available
- Degree of tilt

Dimensions rounded to the nearest 0.1"  
 All visors shown are 12" signal versions  
 Dimensions shown in Cap front view and degree of tilt shown in side view are typical of all 12" visors

To learn more about McCain's Integrated Traffic Solutions, please contact [info@mccain-inc.com](mailto:info@mccain-inc.com) or call (760) 727-8100



2365 OAK RIDGE WAY // VISTA, CALIFORNIA 92081 // USA // WWW.MCCAIN-INC.COM

© 2009 McCain Inc. Updated 03/05/09. McCain reserves the right to change product specifications without notice. For the most up-to-date information, please contact McCain.