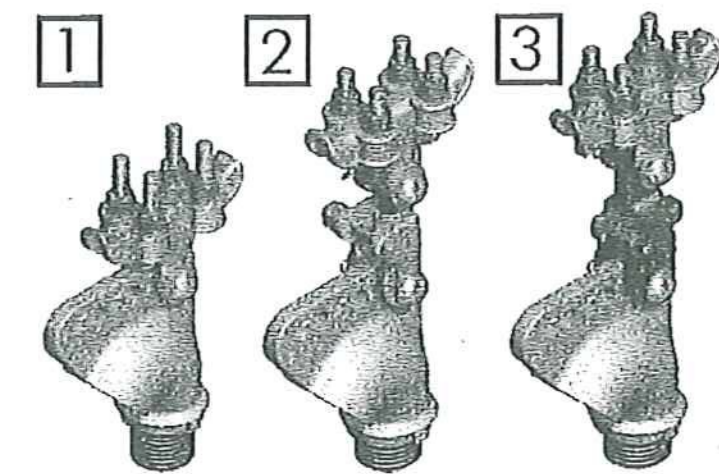
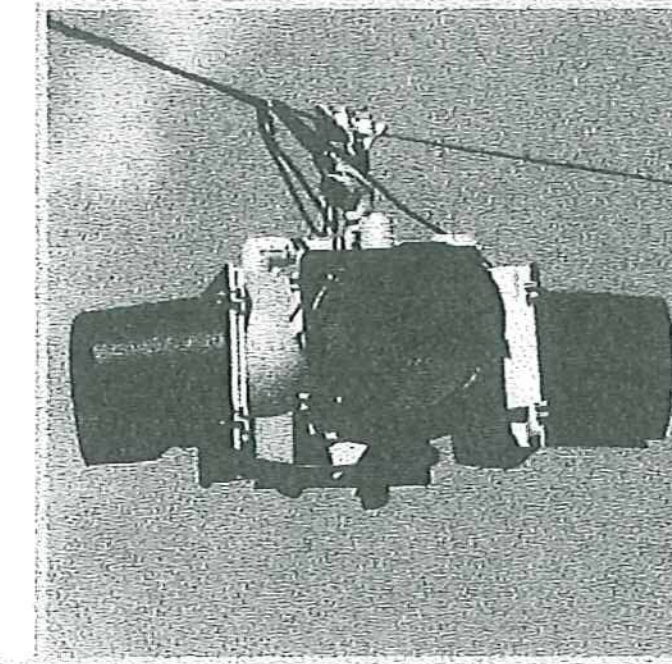
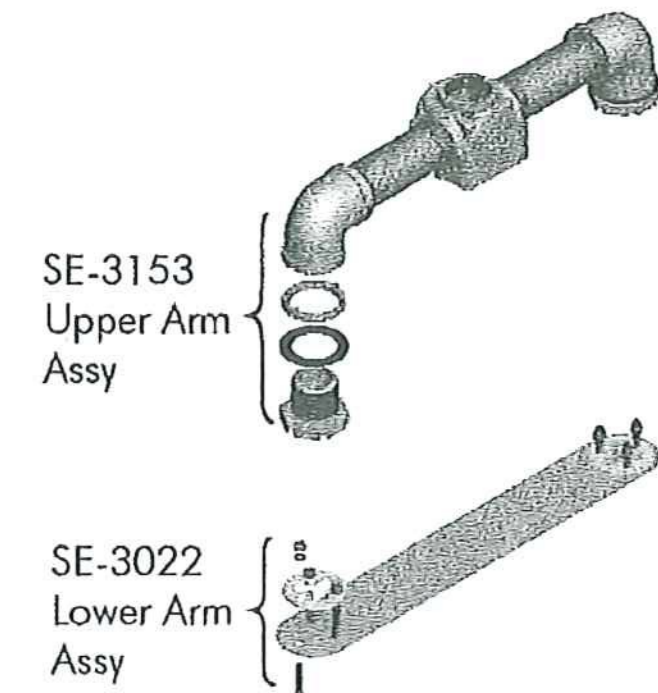


Iron 2-Way, 3-Way & 4-Way Span Wire Hanger Assemblies

Pelco's Span Wire mountings are available in aluminum or iron with 1-1/2" or tri-stud fittings. Balance adjusters provide additional adjustment capabilities, while tether assemblies may be used to anchor the bottom of signals in windy applications.

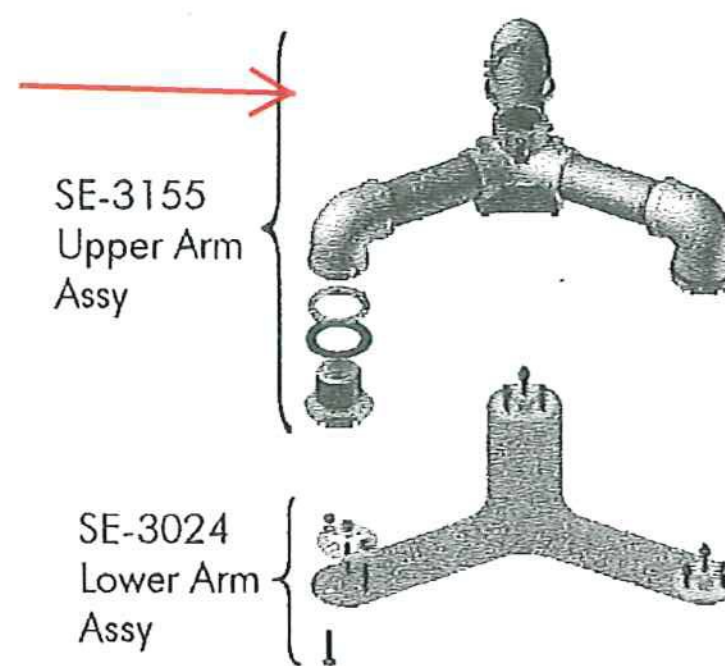


- | | | |
|--------------|------------------------------------|---|
| 1. SE-3070 - | <input type="checkbox"/> Coating | Span Wire Hanger Assy, 1-1/2" NPS |
| 2. SE-3273 - | <input type="checkbox"/> Coating | Span Wire Hanger Assy, 1-1/2" NPS Balance Adjuster |
| 3. SE-3275 - | <input type="checkbox"/> P__=Paint | Span Wire Hanger Assy, 1-1/2" NPS PAL Balance Adjuster |



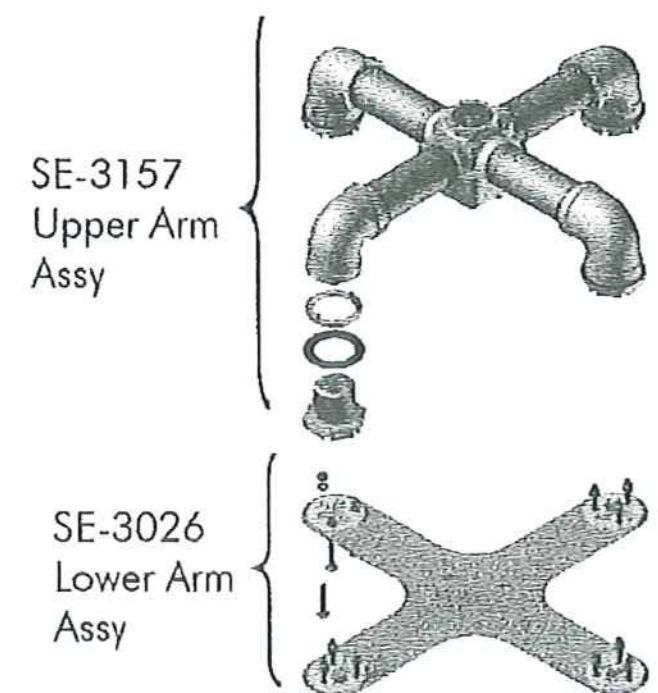
Upper & Lower Arm Assy, 2-Way 16-1/2" CTC

- | | |
|-----------|------------------------------------|
| SE-3154 - | <input type="checkbox"/> Coating |
| | <input type="checkbox"/> P__=Paint |



Upper & Lower Arm Assy, 3-Way 16-1/2" CTC

- | | | |
|-----------|------------------------------------|-------------------------------------|
| SE-3156 - | <input type="checkbox"/> Coating | <input type="checkbox"/> P-34 Black |
| | <input type="checkbox"/> P__=Paint | |
- For 3-Way Span Wire Mount



Upper & Lower Arm Assy, 4-Way 16-1/2" CTC

- | | |
|-----------|------------------------------------|
| SE-3158 - | <input type="checkbox"/> Coating |
| | <input type="checkbox"/> P__=Paint |

Note: 1. All assemblies are supplied standard with stainless steel fasteners and galvanized hardware on span wire clamps. Stainless upgrade to include stainless hardware and stainless slotted washer where applicable.
2. See Reference Section for available paint colors.

FREE-SWINGING

pelco