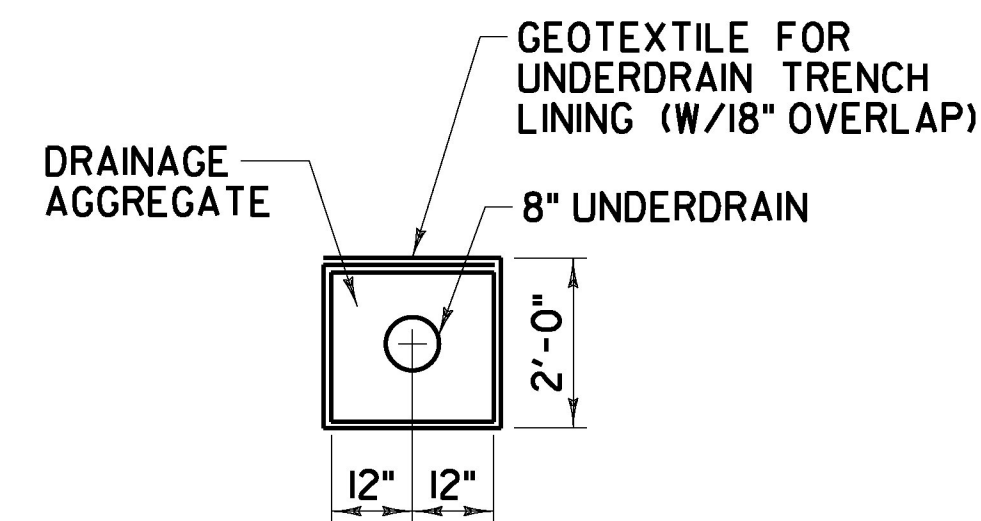
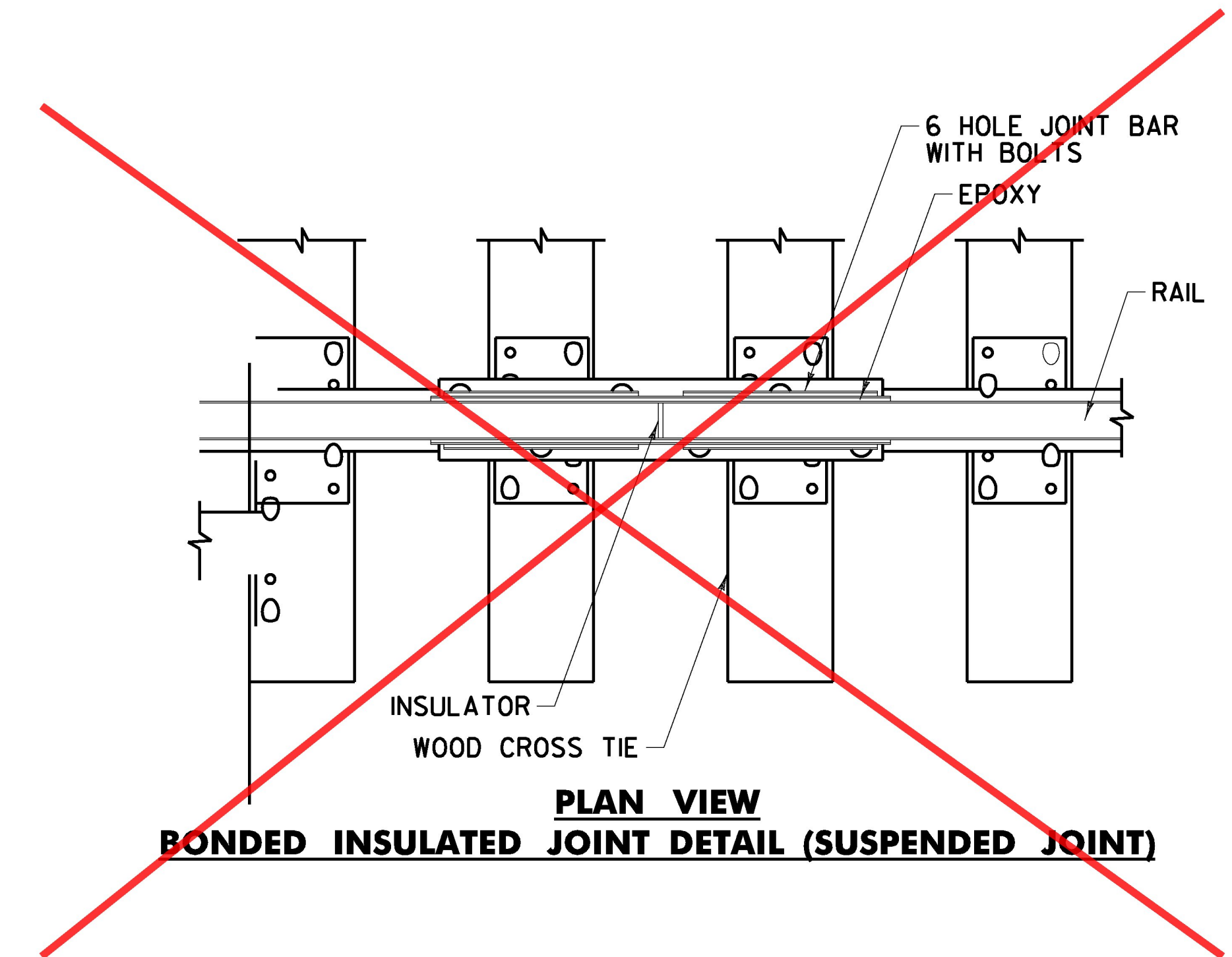


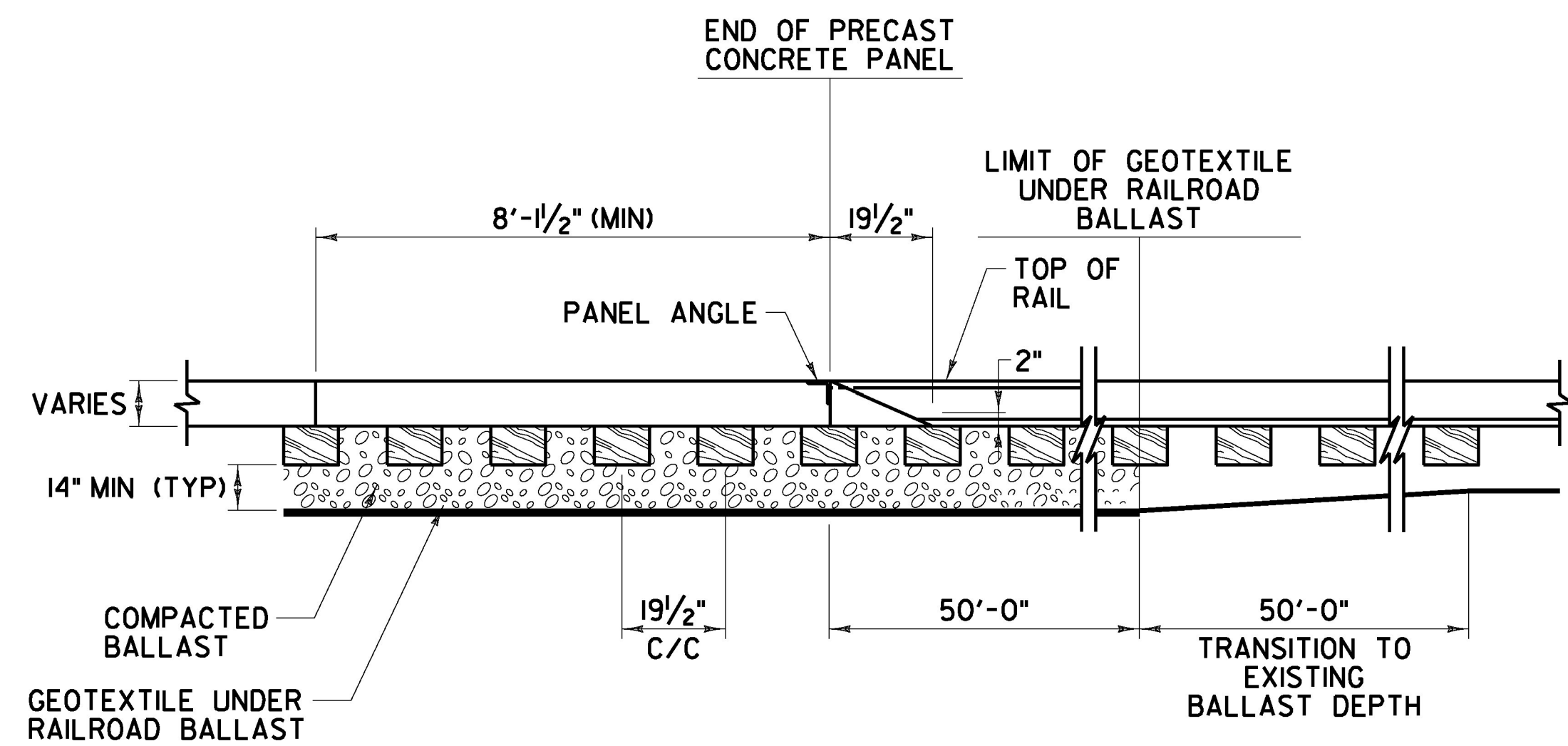
ENLARGED SECTION AT RAIL SEAL



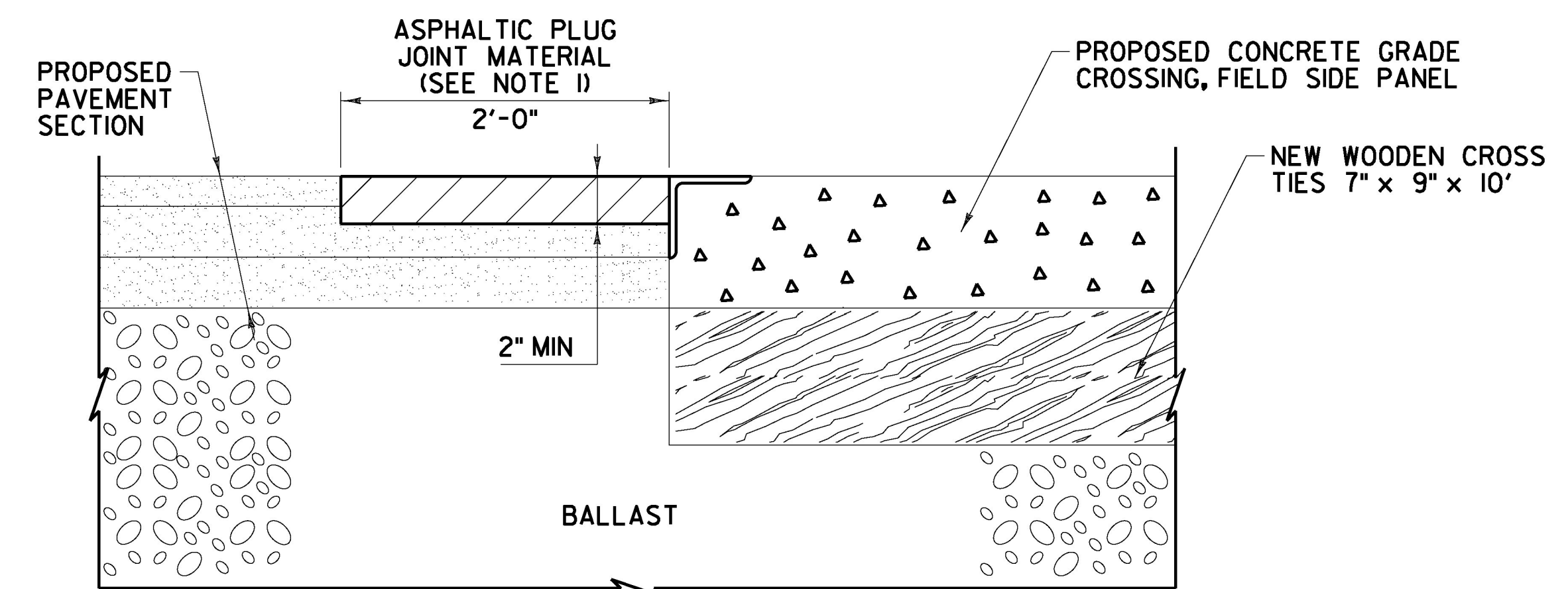
CROSS SECTION UNDERDRAIN WITH GEOTEXTILE
(SEE NOTE 15 ON SHEET 161)



PLAN VIEW BONDED INSULATED JOINT DETAIL (SUSPENDED JOINT)



BALLAST AND EXCAVATION TRANSITION FOR CONCRETE GRADE CROSSING PANELS



ASPHALT TRANSITION FOR CONCRETE GRADE CROSSING PANELS

NOTE:

1. CONTRACTOR SHALL COLD PLANE A MINIMUM OF 2" DEEP x 24" WIDE ADJACENT TO THE CONCRETE GRADE CROSSING PANELS AND FILL WITH ASPHALTIC PLUG JOINT MATERIAL AS DIRECTED BY THE ENGINEER. PAYMENT WILL BE MADE UNDER ITEM 900.640 SPECIAL PROVISION (BAND JOINT @ PRECAST CONCRETE RAILROAD CROSSING)

NOT TO SCALE

PROJECT NAME: ESSEX JUNCTION
PROJECT NUMBER: NH 2956(2)

FILE NAME: z15v026rdd+102.dgn PLOT DATE: 4/19/2016
PROJECT LEADER: D.GOZALKOWSKI DRAWN BY: C. KAHLBAUGH
DESIGNED BY: M. MOKEY CHECKED BY: D. EMERICH
AARDOT 247-723Y RAILROAD DETAIL SHEET 2 SHEET 167 OF 171

