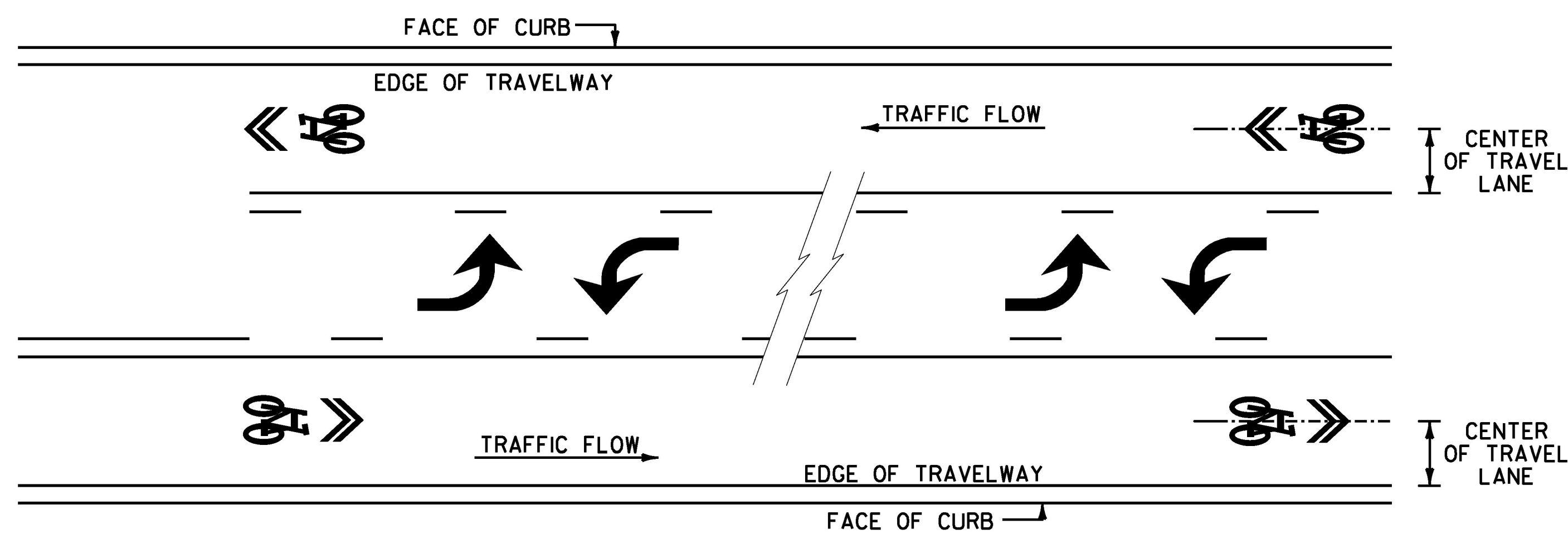
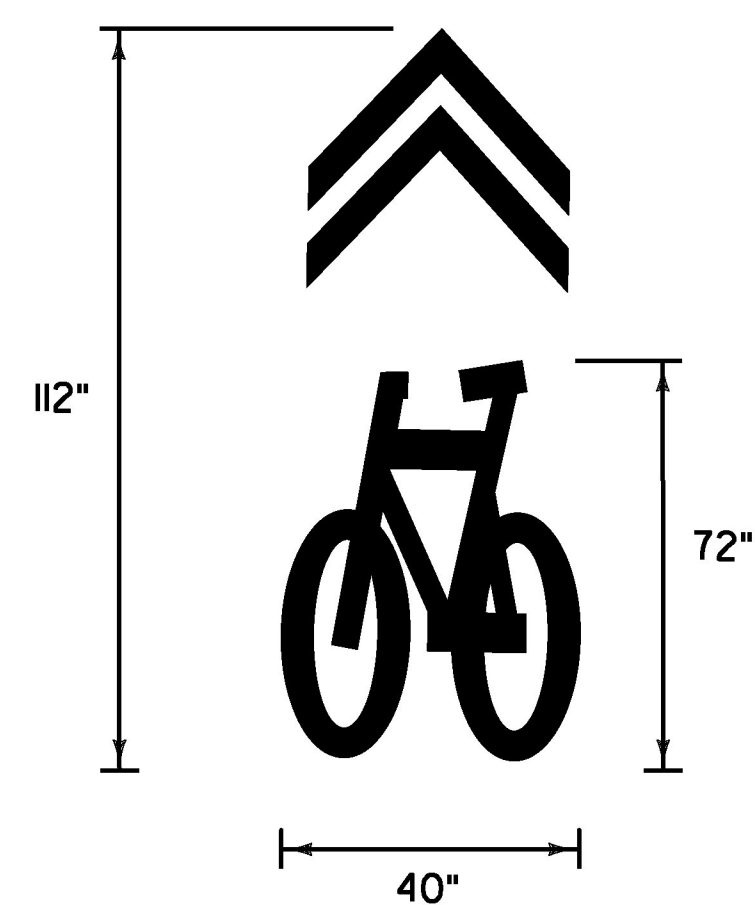


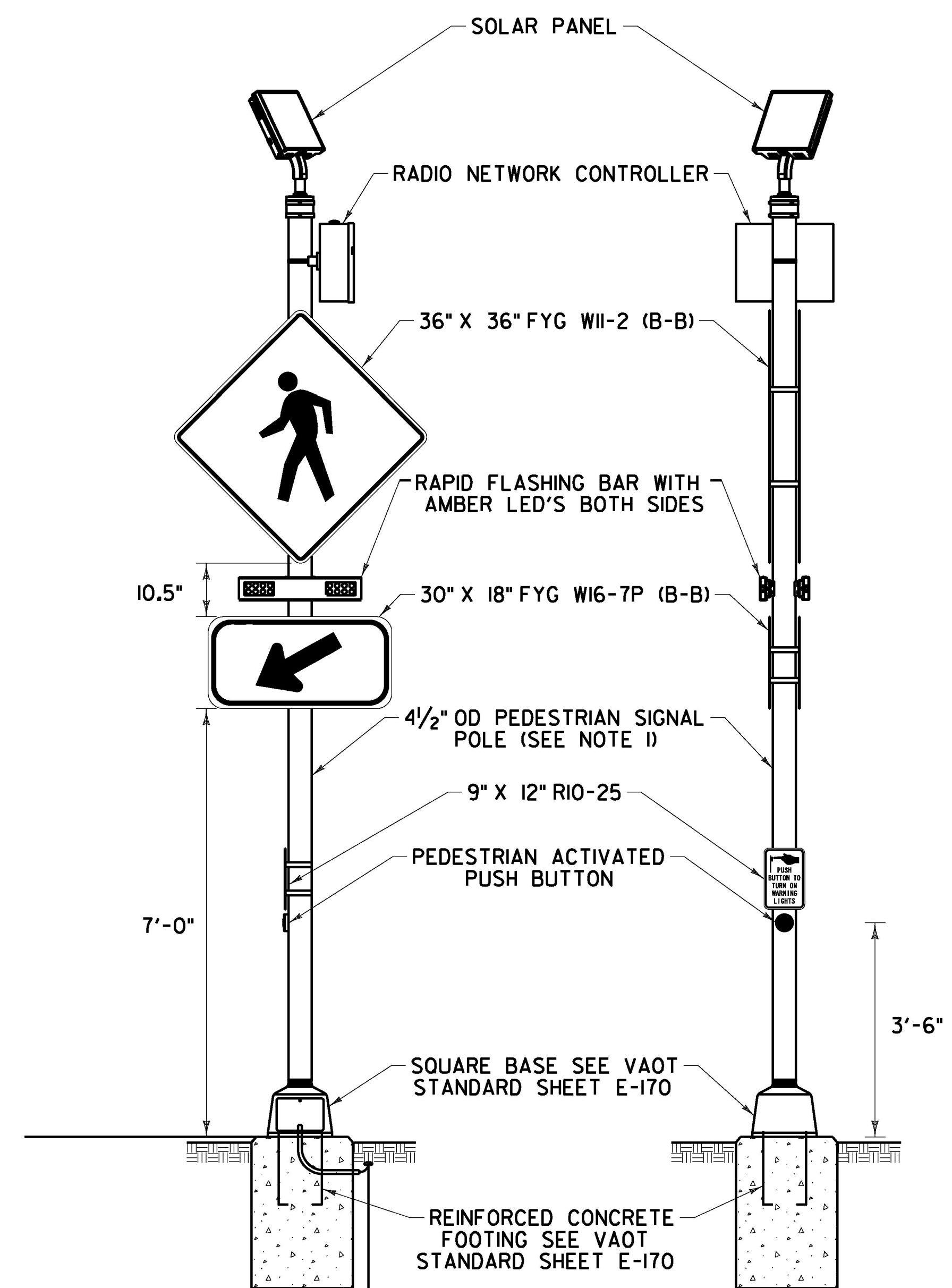
TWO WAY LEFT - TURN LANE MARKINGS DETAIL



SHARED LANE MARKINGS PLACEMENT DETAIL



SHARED LANE MARKING DETAIL



RECTANGULAR RAPID FLASHING BEACON DETAIL

VT ROUTE 15
 ESSEX JUNCTION: STA MN 137+14.0, LT
 STA MN 137+19.0, RT

NOTES:

1. GALVANIZED STEEL PIPE AND SQUARE BASE SHALL BE PAINTED BLACK.
2. SIGNS WILL BE PAID FOR UNDER ITEM 675.20 TRAFFIC SIGNS, TYPE A. ALL OTHER WORK WILL BE PAID FOR UNDER ITEM 900.620 SPECIAL PROVISION (RECTANGULAR RAPID FLASHING BEACON).

PROJECT NAME: ESSEX JUNCTION
 PROJECT NUMBER: NH 2956(2)

FILE NAME: z15v026md+01.dgn
 PROJECT LEADER: D.GOZALKOWSKI
 DESIGNED BY: J. SCUDDER
 MISCELLANEOUS DETAIL SHEET

PLOT DATE: 5/9/2016
 DRAWN BY: C. KAHLBAUGH
 CHECKED BY: J. SHIELDS
 SHEET 82 OF 171

NOT TO SCALE

