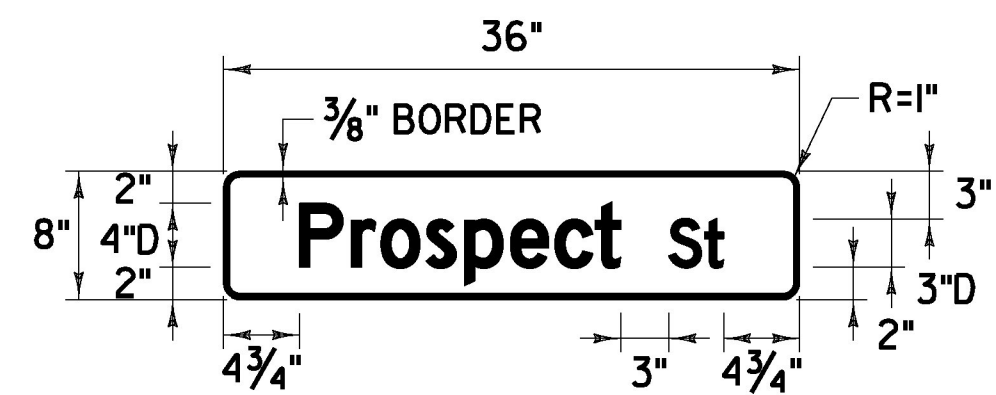


COLOR: WHITE BORDER & TEXT (RETROREFLECTIVE)
GREEN BACKGROUND (RETROREFLECTIVE)

MATERIAL: EXTRUDED ALUMINUM WITH A 0.25 INCH FLANGE AND A 0.090 INCH WEB.

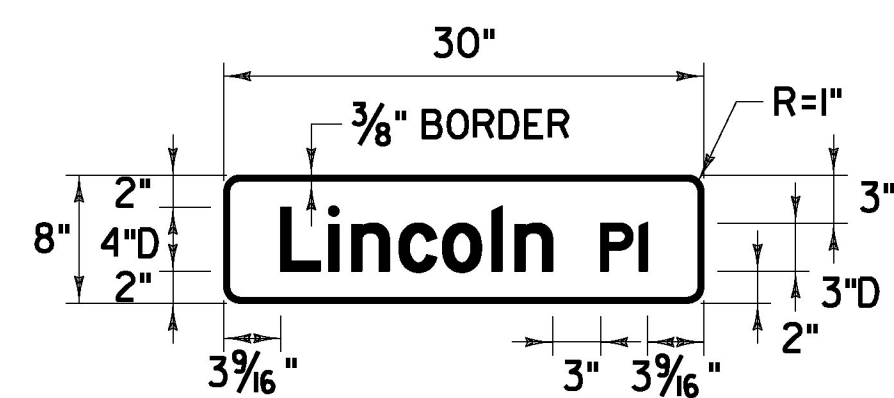
LOCATION: VT ROUTE 2A
ESSEX JUNCTION:
STA L 40+82.0, RT - DOUBLE SIDED
STA L 42+62.0, LT - DOUBLE SIDED
STA L 43+85.0, RT - DOUBLE SIDED
STA L 47+38.0, LT - DOUBLE SIDED
STA L 55+96.0, RT - DOUBLE SIDED



COLOR: WHITE BORDER & TEXT (RETROREFLECTIVE)
GREEN BACKGROUND (RETROREFLECTIVE)

MATERIAL: EXTRUDED ALUMINUM WITH A 0.25 INCH FLANGE AND A 0.090 INCH WEB.

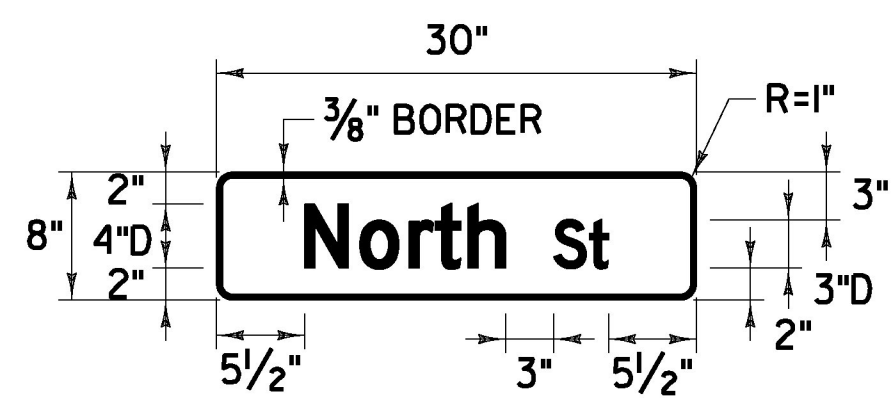
LOCATION: VT ROUTE 2A
ESSEX JUNCTION:
STA L 47+38.0, LT - DOUBLE SIDED



COLOR: WHITE BORDER & TEXT (RETROREFLECTIVE)
GREEN BACKGROUND (RETROREFLECTIVE)

MATERIAL: EXTRUDED ALUMINUM WITH A 0.25 INCH FLANGE AND A 0.090 INCH WEB.

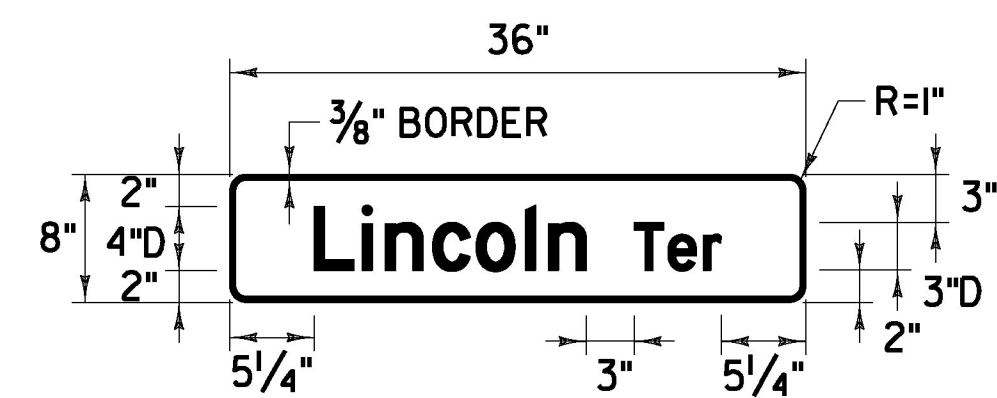
LOCATION: VT ROUTE 2A
ESSEX JUNCTION:
STA L 40+82.0, RT - DOUBLE SIDED



COLOR: WHITE BORDER & TEXT (RETROREFLECTIVE)
GREEN BACKGROUND (RETROREFLECTIVE)

MATERIAL: EXTRUDED ALUMINUM WITH A 0.25 INCH FLANGE AND A 0.090 INCH WEB.

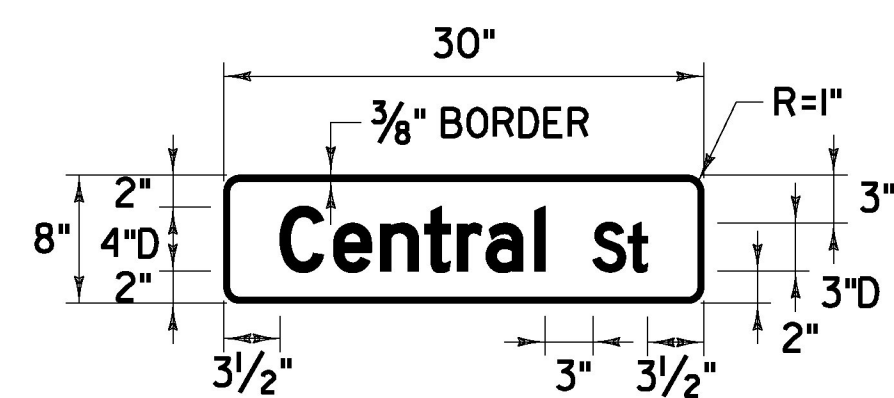
LOCATION: VT ROUTE 2A
ESSEX JUNCTION:
STA L 55+96.0, RT - DOUBLE SIDED



COLOR: WHITE BORDER & TEXT (RETROREFLECTIVE)
GREEN BACKGROUND (RETROREFLECTIVE)

MATERIAL: EXTRUDED ALUMINUM WITH A 0.25 INCH FLANGE AND A 0.090 INCH WEB.

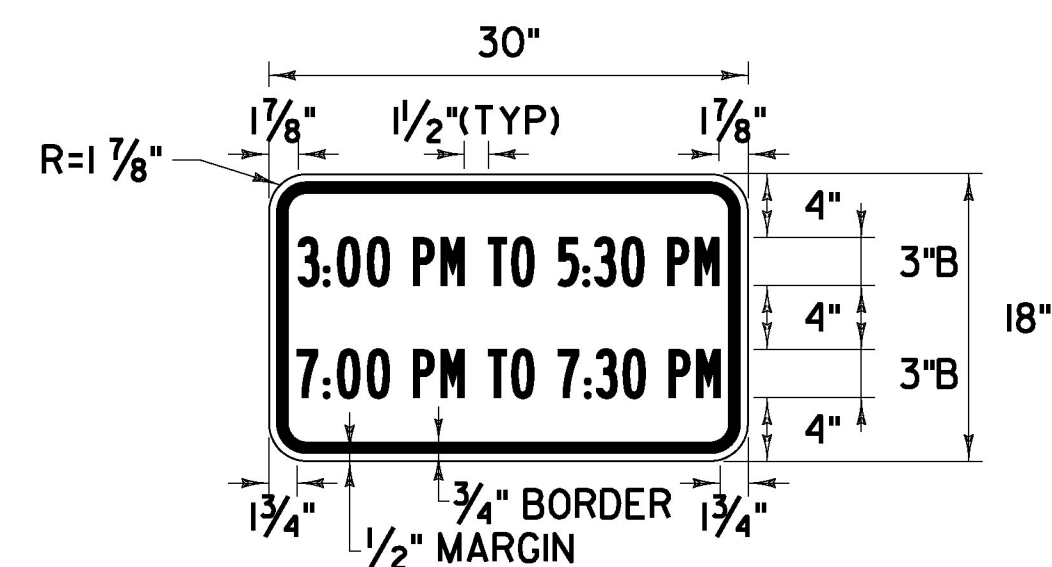
LOCATION: VT ROUTE 2A
ESSEX JUNCTION:
STA L 42+62.0, LT - DOUBLE SIDED



COLOR: WHITE BORDER & TEXT (RETROREFLECTIVE)
GREEN BACKGROUND (RETROREFLECTIVE)

MATERIAL: EXTRUDED ALUMINUM WITH A 0.25 INCH FLANGE AND A 0.090 INCH WEB.

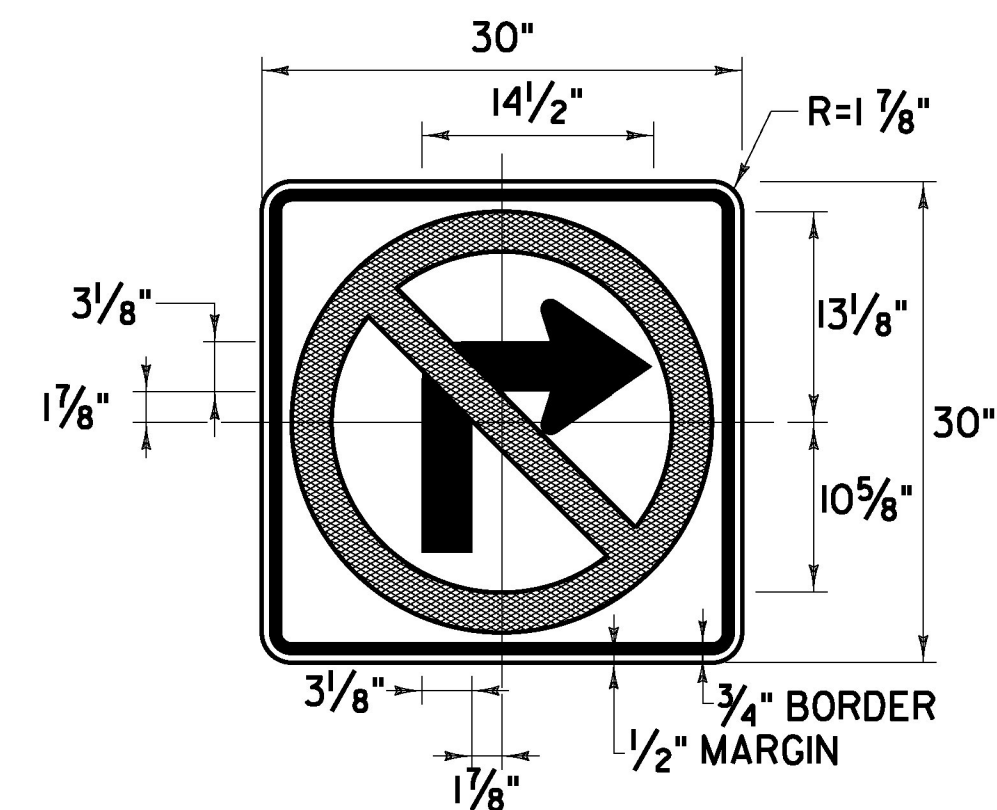
LOCATION: VT ROUTE 2A
ESSEX JUNCTION:
STA L 43+85.0, RT - DOUBLE SIDED



COLOR: BLACK BORDER & TEXT (NON - REFL)
WHITE BACKGROUND (RETROREFLECTIVE)

MATERIAL: FLAT SHEET ALUMINUM WITH A MINIMUM THICKNESS OF 0.080 INCH

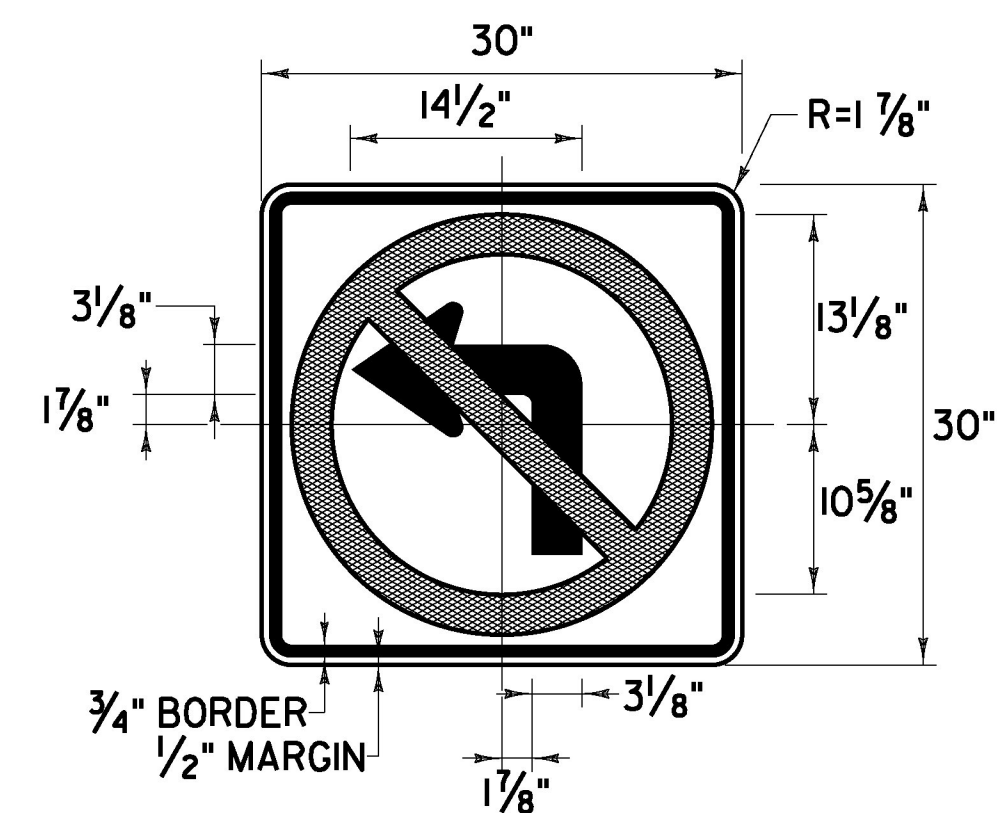
LOCATION: VT ROUTE 2A
ESSEX JUNCTION:
STA PA 15+77.0, RT
STA PA 17+60.0, LT



COLOR: RED CIRCLE AND DIAGONAL (RETROREFLECTIVE)
BLACK ARROW AND BORDER (NON-RETROREFLECTIVE)
WHITE BACKGROUND (RETROREFLECTIVE)

MATERIAL: FLAT SHEET ALUMINUM WITH A MINIMUM THICKNESS OF 0.080 INCH

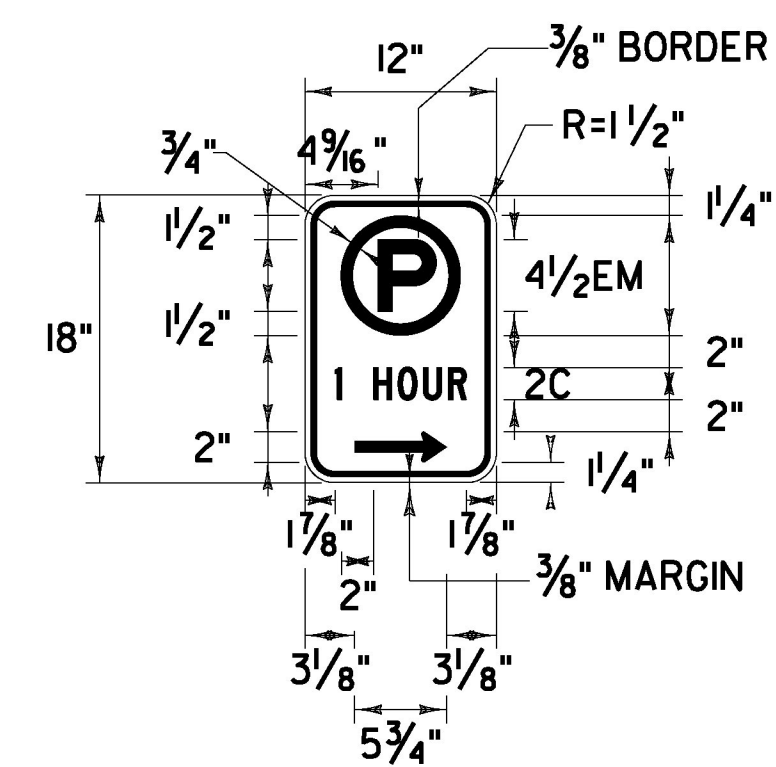
LOCATION: VT ROUTE 2A
ESSEX JUNCTION:
STA PA 15+77.0, RT



COLOR: RED CIRCLE AND DIAGONAL (RETROREFLECTIVE)
BLACK ARROW AND BORDER (NON-RETROREFLECTIVE)
WHITE BACKGROUND (RETROREFLECTIVE)

MATERIAL: FLAT SHEET ALUMINUM WITH A MINIMUM THICKNESS OF 0.080 INCH

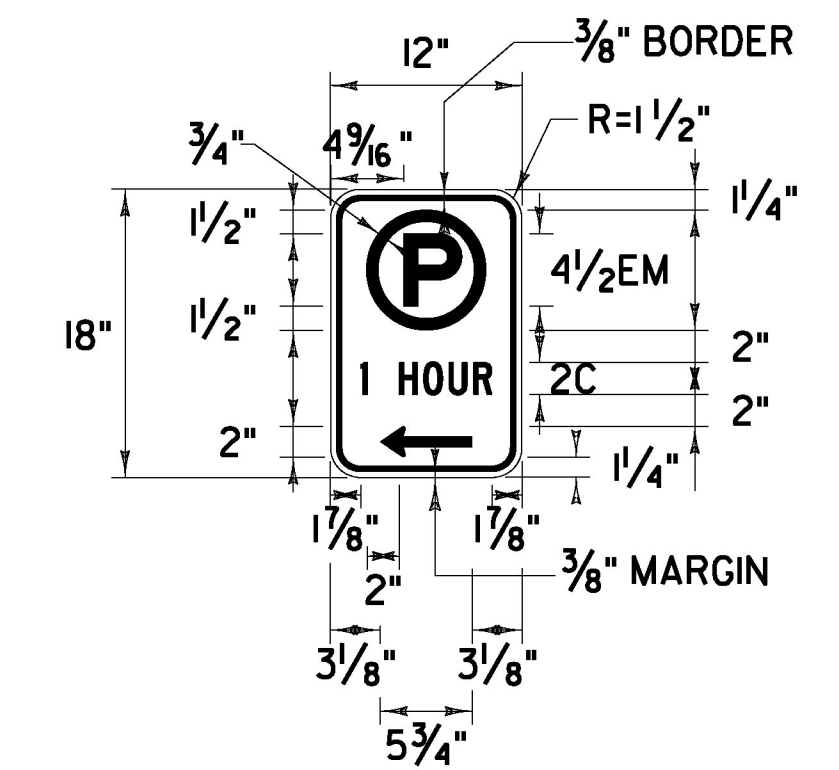
LOCATION: VT ROUTE 2A
ESSEX JUNCTION:
STA PA 17+60.0, LT



COLOR: GREEN BORDER & TEXT (RETROREFLECTIVE)
WHITE BACKGROUND (RETROREFLECTIVE)

MATERIAL: FLAT SHEET ALUMINUM WITH A MINIMUM THICKNESS OF 0.080 INCH

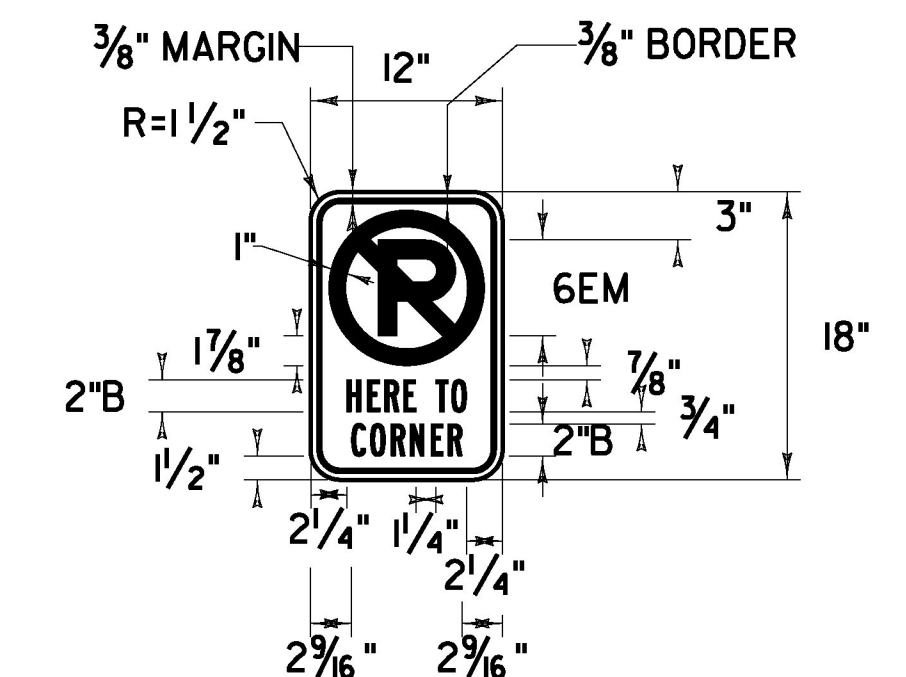
LOCATION: VT ROUTE 2A
ESSEX JUNCTION:
STA PA 24+86.0, LT



COLOR: GREEN BORDER & TEXT (RETROREFLECTIVE)
WHITE BACKGROUND (RETROREFLECTIVE)

MATERIAL: FLAT SHEET ALUMINUM WITH A MINIMUM THICKNESS OF 0.080 INCH

LOCATION: VT ROUTE 2A
ESSEX JUNCTION:
STA PA 25+24.0, LT



COLOR: RED BORDER & TEXT (RETROREFLECTIVE)
WHITE BACKGROUND (RETROREFLECTIVE)

MATERIAL: FLAT SHEET ALUMINUM WITH A MINIMUM THICKNESS OF 0.080 INCH

LOCATION: VT ROUTE 2A
ESSEX JUNCTION:
STA L 44+96.0, LT
STA L 48+45.0, LT

NOT TO SCALE



PROJECT NAME: ESSEX JUNCTION	
PROJECT NUMBER: STP 2956(I)	
FILE NAME: z14v251sds.dgn	PLOT DATE: 5/2/2016
PROJECT LEADER: D.GOZALKOWSKI	DRAWN BY: A. KIRBY
DESIGNED BY: J. OLSEN	CHECKED BY: J. SHIELDS
TRAFFIC SIGN DETAILS SHEET 2	SHEET 61 OF 171